



SLIDING PATIO DOOR DESIGNS

REHAU SYSTEM 2200

THE NEXT GENERATION OF PATIO DOOR

PERFORMANCE DRIVEN DESIGN WITH STYLISH APPEAL





The REHAU System 2200 sliding patio door design offers the same quality and durability you have come to trust in our other window and door products. This door system also offers true high performance, superior operation and thermal efficiency, making it the perfect choice for residential remodeling, new construction and light commercial projects.

Advanced Design Features

The System 2200 incorporates multiple chambers for increased thermal performance and is robust enough to accommodate triple glazing. These features enable this door to meet today's stringent energy code requirements as well as the stricter codes being considered for the future.

Available in Popular Sizes

This door can be ordered as a knock-down kit in popular US and Canadian sizes or custom fabricated to your requirements. Configurations include two-, three- and four-panel operating units with optional side lites and transoms.

REHAU SYSTEM 2200

MORE THAN YOU IMAGINED

Advanced design and engineering make the System 2200 everything you imagine a sliding patio door could be and more. Perfect for modern living, it opens up your space with classic looks and a large glass area for maximized daylight.





Quiet and Energy Efficient

With multiple chambers made of naturally insulating uPVC and the latest in sealing technology, this door provides excellent thermal performance while keeping sound transmission to a minimum.

Security

Galvanized steel-reinforced sash profiles are engineered to withstand windloads and to provide strength for hardware fasteners. Internally glazed sashes make it extremely difficult to remove the glass from the outside. Hardware components feature multi-locking and “anti-lift” technology.

Style Options

Customize your look with a modern white, beige or blue white finish, or choose a solid color or wood-grain foil. Choose two, three or four panels. You can even specify the thickness of the insulated glass unit, ranging from 1 in (25 mm) up to 1 3/8 in (35 mm) and choose from a range of accessories.

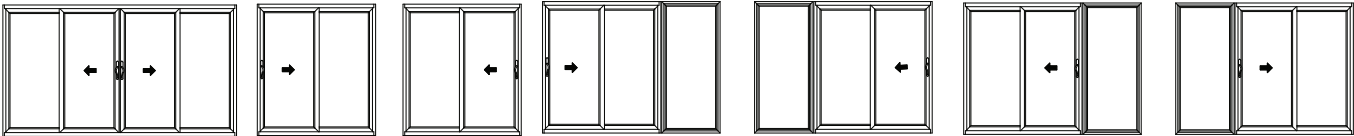
Low Maintenance

Our doors withstand even the toughest conditions with minimal maintenance. Only an occasional cleaning with mild detergent is required to keep the frames looking great and only occasional oil maintenance for the locks. The aluminum running track enables continuously smooth, trouble-free operation.

REHAU SYSTEM 2200

VERSATILITY IN FUNCTION AND DESIGN:
THE FEATURES AND BENEFITS OF OUR SLIDING PATIO DOOR

This steel-reinforced uPVC door is designed to maximize your glass-to-frame ratio while offering superior durability, sound abatement and energy efficiency. Sash versatility allows multiple configurations to meet your needs.



- 1** European saddle-rail sash design provides exceptionally smooth, low-friction operation and is easier to clean
- 2** Low-profile, aluminum-capped sloped sill offers unobstructed building entry with the durability of an anodized aluminum finish
- 3** Engineered drainage system achieves superior resistance to water leakage
- 4** Interlocking sash enhances structural integrity and resistance to air infiltration
- 5** Steel sash reinforcement creates superior structural rigidity, allowing for installation in light-commercial applications
- 6** Glazing channel up to 1 3/8 in (35 mm) accommodates triple glazing, increasing both energy efficiency and acoustical properties
- 7** Multi-point stainless steel locking bar increases security and product performance



The saddle-rail sash design provides exceptionally smooth operation. Utilizing precision bearing rollers, the operation of the sash requires little effort and provides long-lasting, trouble-free operation. The attractive anodized sill tread complements the aesthetics of the door while providing a durable low-profile entry. The sloped design provides effective water run-off.



The reinforcement is confined between two walls within the sash profile allowing for maximum thermal performance.



A multi-point stainless steel locking bar provides high performance ratings, added security and resistance to air and water infiltration.

Photo courtesy of TRUTH Hardware



Available Colors

- White
- Clay

Ask about solid color and wood-grain foil options.

REHAU SYSTEM 2200

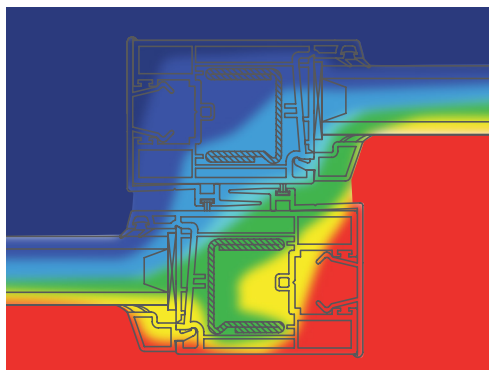
REACHING TOP THERMAL PERFORMANCE



With insulated glass unit (IGU) thickness from 1 in (25 mm) to 1 3/8 in (35 mm), the System 2200 is suitable for all Energy Star zones in the United States and Canada.

Thermal Performance Simulations

To ensure that the REHAU 2200 sliding patio door design meets the most stringent energy codes in the United States and Canada, we have conducted thermal engineering simulations using different glazing, coating and spacer configurations as shown on the table.



Thermal image of REHAU System 2200 sliding patio door demonstrates how effectively this design separates warmer air and cooler air to achieve optimal energy efficiency.

Glass Option	IGU Thickness	U-factor ¹	R-value	SHGC
Cardinal E272	1 in (25 mm)	0.28	3.6	0.30
Cardinal E366	1 in (25 mm)	0.28	3.6	0.20
Solar Ban 70 XL	1 in (25 mm)	0.26	3.8	0.20
Solar Ban 70 XL	1 3/8 in (35 mm)	0.17	5.9	0.15

For more detail on thermal performance including gap fills and widths, contact your REHAU sales representative.

¹U-factors (and R-values) measure the rate of heat transfer and tell how well the window or door insulates. U-factors (and R-values) generally range from 0.20 (R-5) to 1.20 (R-0.8). The lower the value, the better the window/door insulates.

Performance Summary²

NAFS: up to LC-PG65

ASTM E90 Acoustical (STC): up to 38 dB

U-factor down to 0.16*

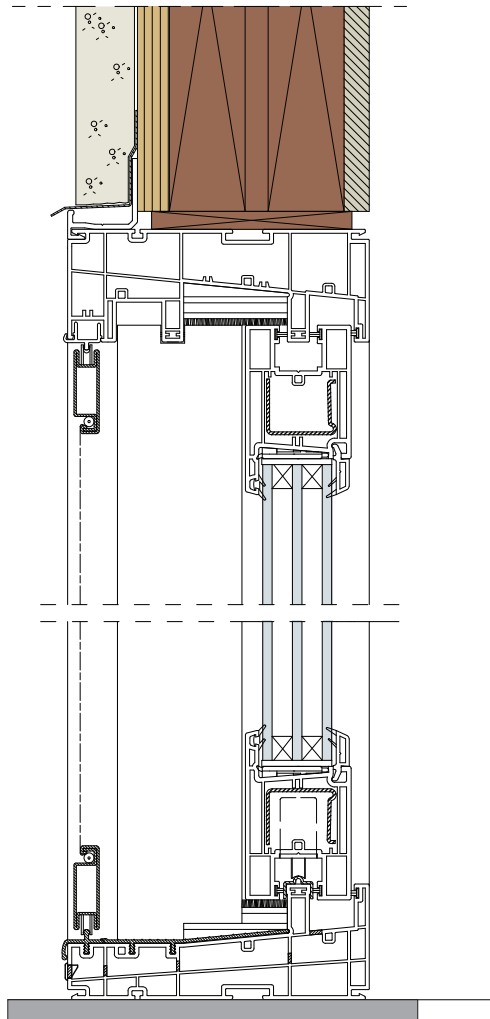
*) based on simulation

²Testing is ongoing; contact your REHAU sales representative for the latest test reports.

REHAU SYSTEM 2200

INSTALLATION DRAWINGS

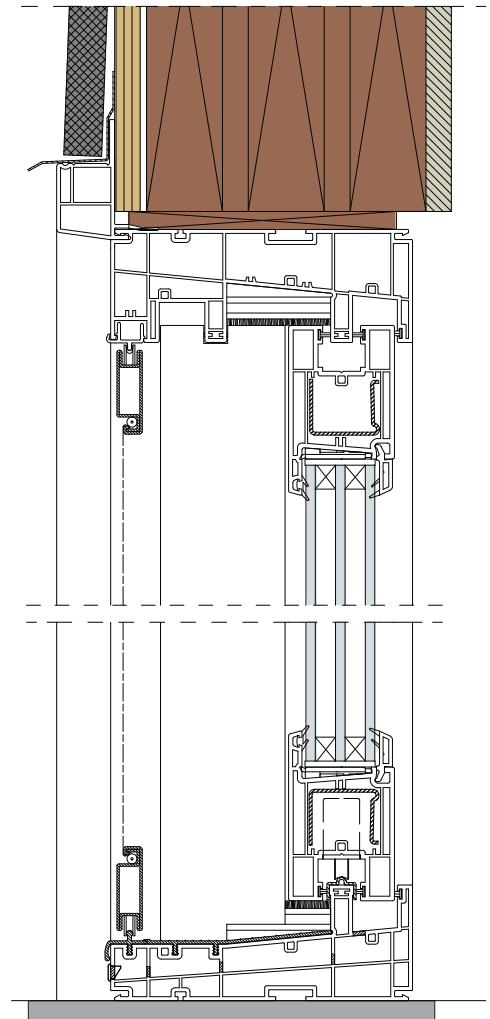
2 x 4 Sill Section



These illustrations depict suggested installations of REHAU System 2200 patio door design.

The 2 x 4 vertical section shows a wood frame wall with stucco exterior and a snap-on nailing fin specially designed for stucco applications.

2 x 6 Sill Section



Not to scale

The 2 x 6 vertical section shows a wood frame wall with siding on the exterior and a 1 1/2 in (38.1 mm) brickmold profile. This brickmold profile is available with integral nailing fin (as shown) or without nailing fin. *System 9000 Supplementary Profiles* brochure contains more than 30 REHAU accessory profiles that are available for use with this system.



Quality Is Our Core Value

By striving to consistently exceed industry standards with our material and designs and showing genuine passion for our work, we achieve global success as a premium brand.

Warranties Give Assurance

REHAU stands behind our windows and door designs with a 20-year limited warranty. For complete details, contact your sales representative.

Education Spreads Best Practice

REHAU Academy is the central knowledge institute for REHAU solutions. First-class presenters provide product, design and technical information. The REHAU Academy can present virtually anywhere – at our locations or yours, to a whole company or just a few employees. For our current course schedule, visit www.na.rehau.com/academy

For updates to this publication, visit na.rehau.com/resourcecenter

The information contained herein is believed to be reliable, but no representations, guarantees or warranties of any kind are made as to its accuracy, suitability for particular applications or the results to be obtained therefrom. Before using, the user will determine suitability of the information for user's intended use and shall assume all risk and liability in connection therewith.

© 2014 REHAU