

REHAU WINDOW SYSTEM 190

TECHNICAL INFORMATION
DETAIL DRAWINGS

REHAU WINDOW SYSTEM 190

DETAIL DRAWINGS

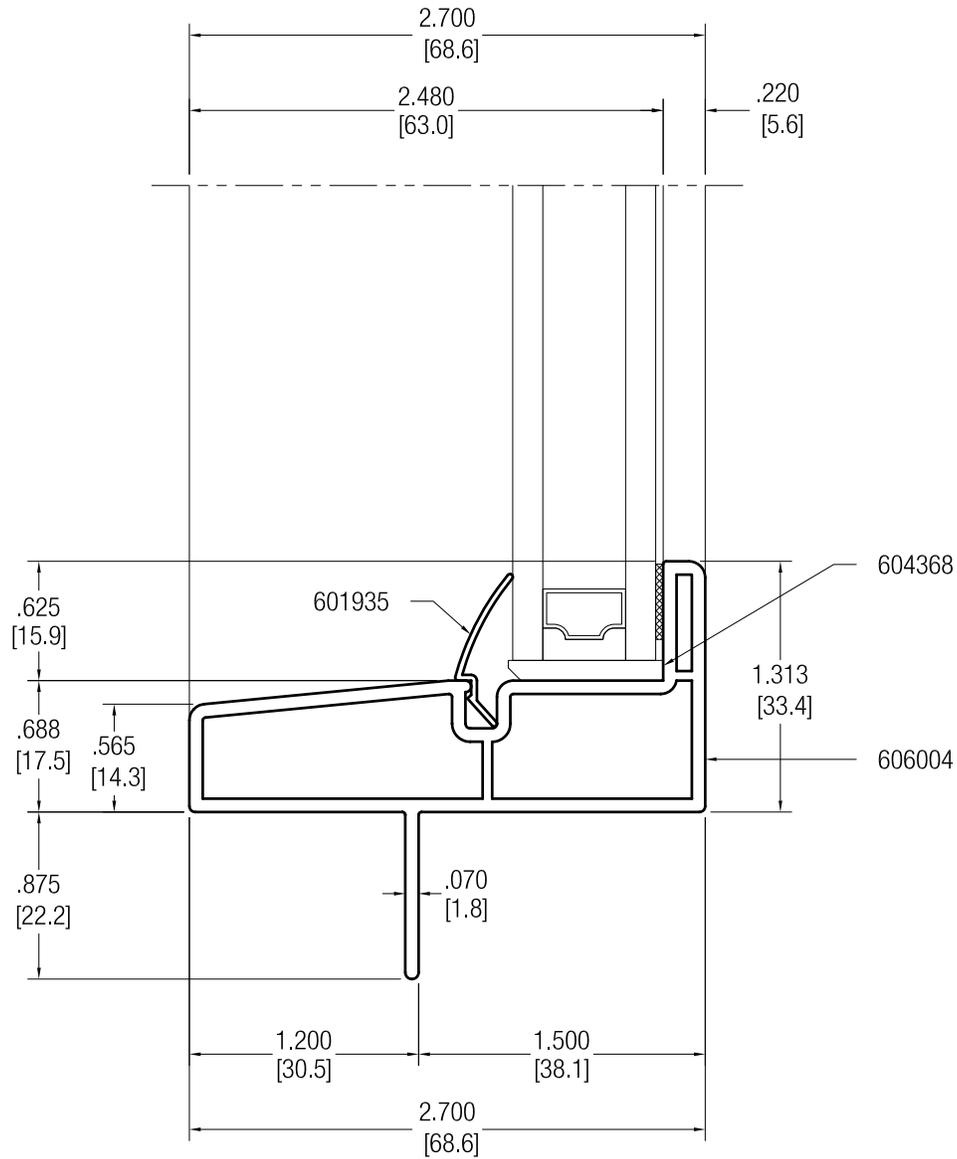
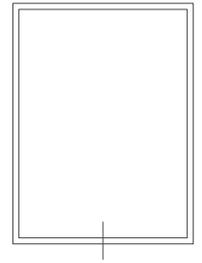
Table of Contents

Fixed Window - Sill	3
Single-Hung Window - Sill	8
Single-Hung Window - Head	12
Single-Hung Window - Jamb	16
Single-Hung Window - Interlock	20
Single-Slider Window - Sill	22
Single-Slider Window - Head	26
Single-Slider Window - Jamb	30
Single-Slider Window - Interlock	34
Twin Single-Hung Window - T-Mullion	36
Single-Hung over Fixed Window - T-Mullion	37
Single-Slider over Fixed Window - T-Mullion	38
Chambered Mullion Cover Application	39
Wide Frame Connector Application	40
Flush Frame Connector Application	41

REHAU WINDOW SYSTEM 190

DETAIL DRAWINGS

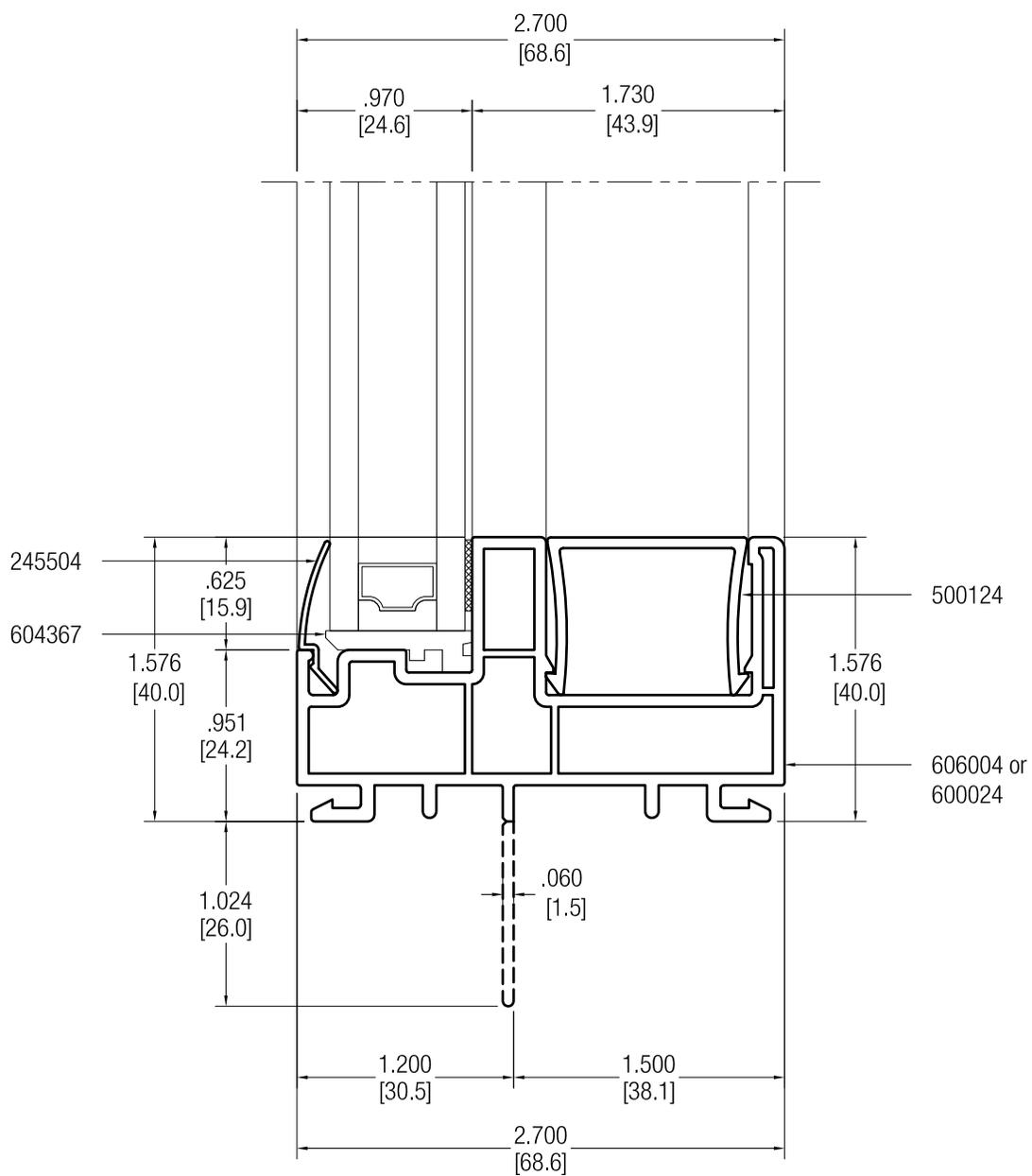
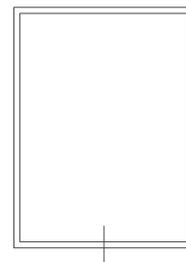
Fixed Window - Sill, 399000



REHAU WINDOW SYSTEM 190

DETAIL DRAWINGS

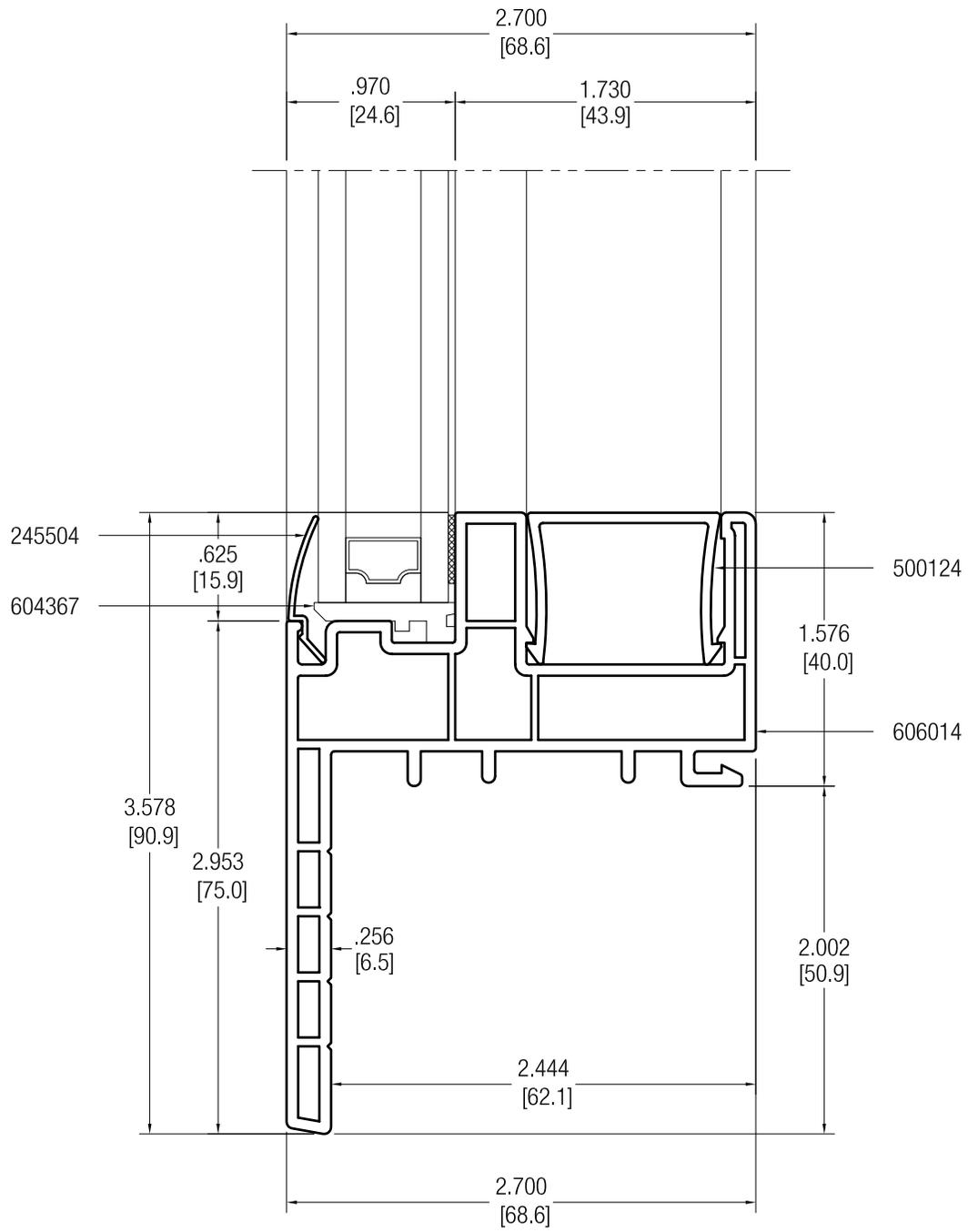
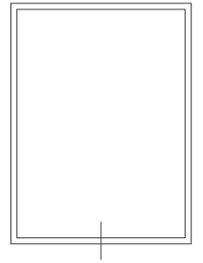
Fixed Window - Sill, 606004 or 606024



REHAU WINDOW SYSTEM 190

DETAIL DRAWINGS

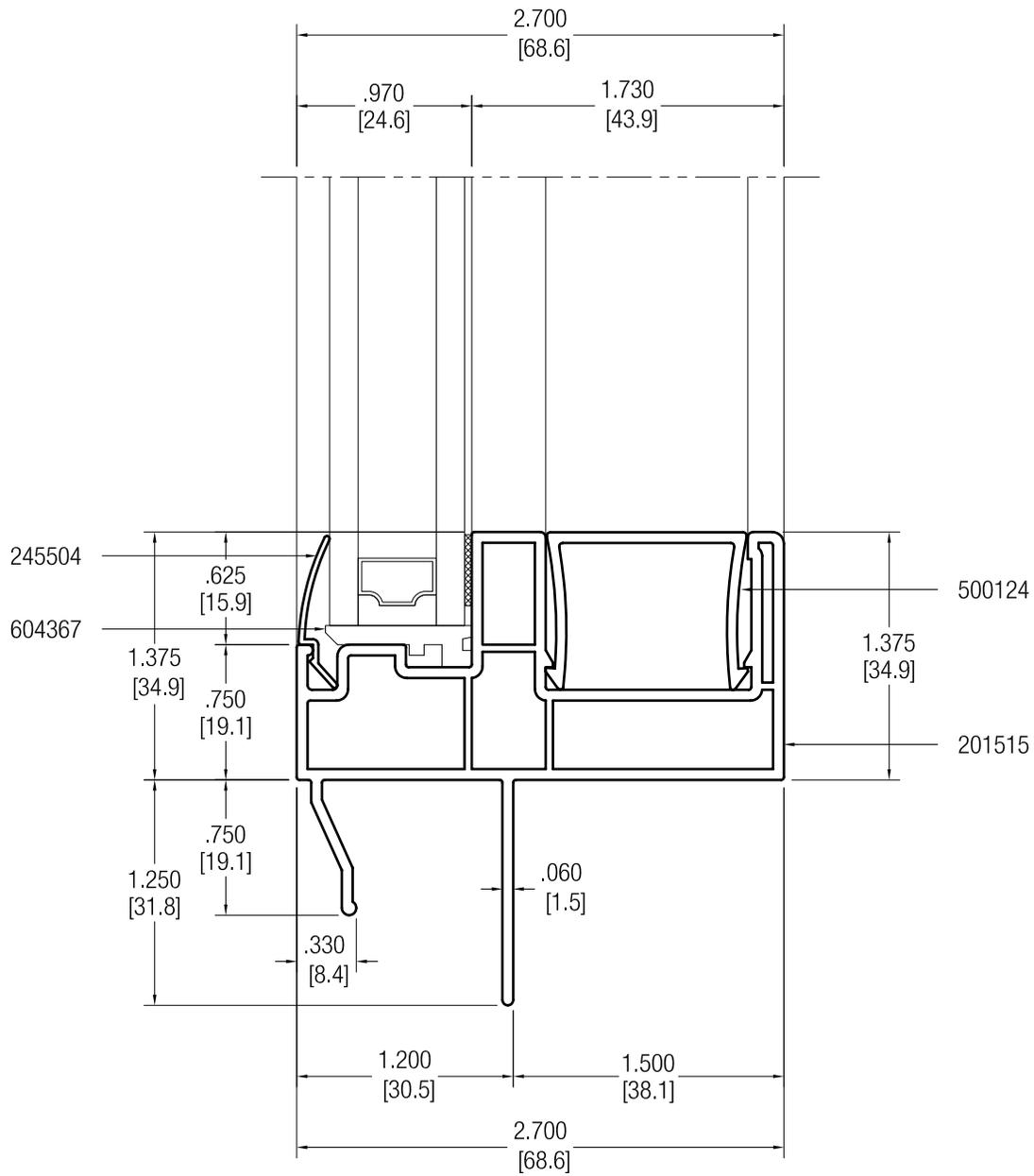
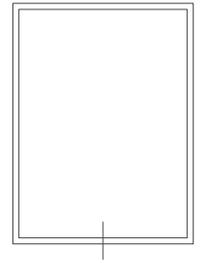
Fixed Window - Sill, 606014



REHAU WINDOW SYSTEM 190

DETAIL DRAWINGS

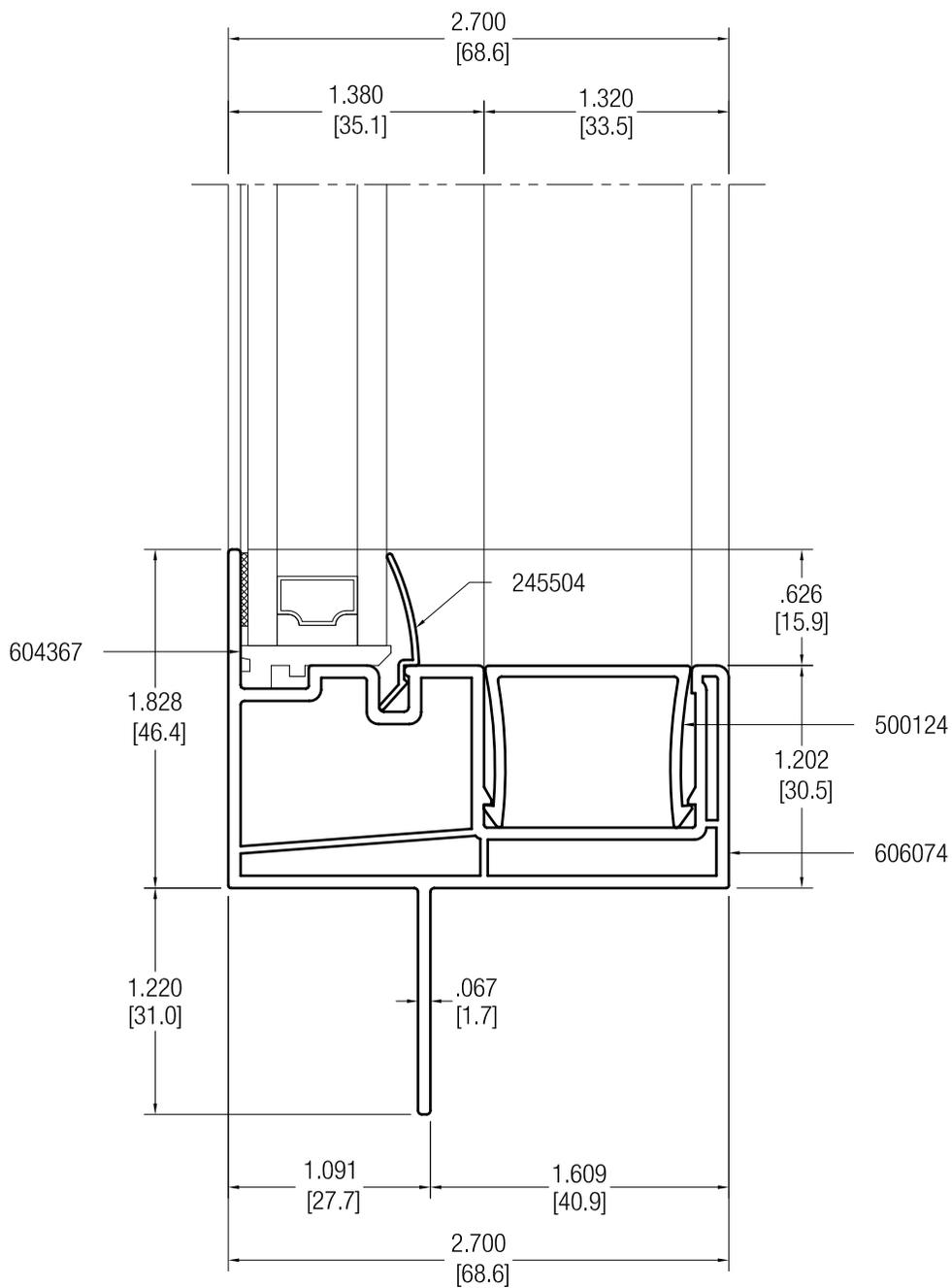
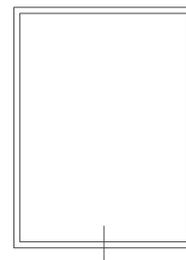
Fixed Window - Sill, 201515



REHAU WINDOW SYSTEM 190

DETAIL DRAWINGS

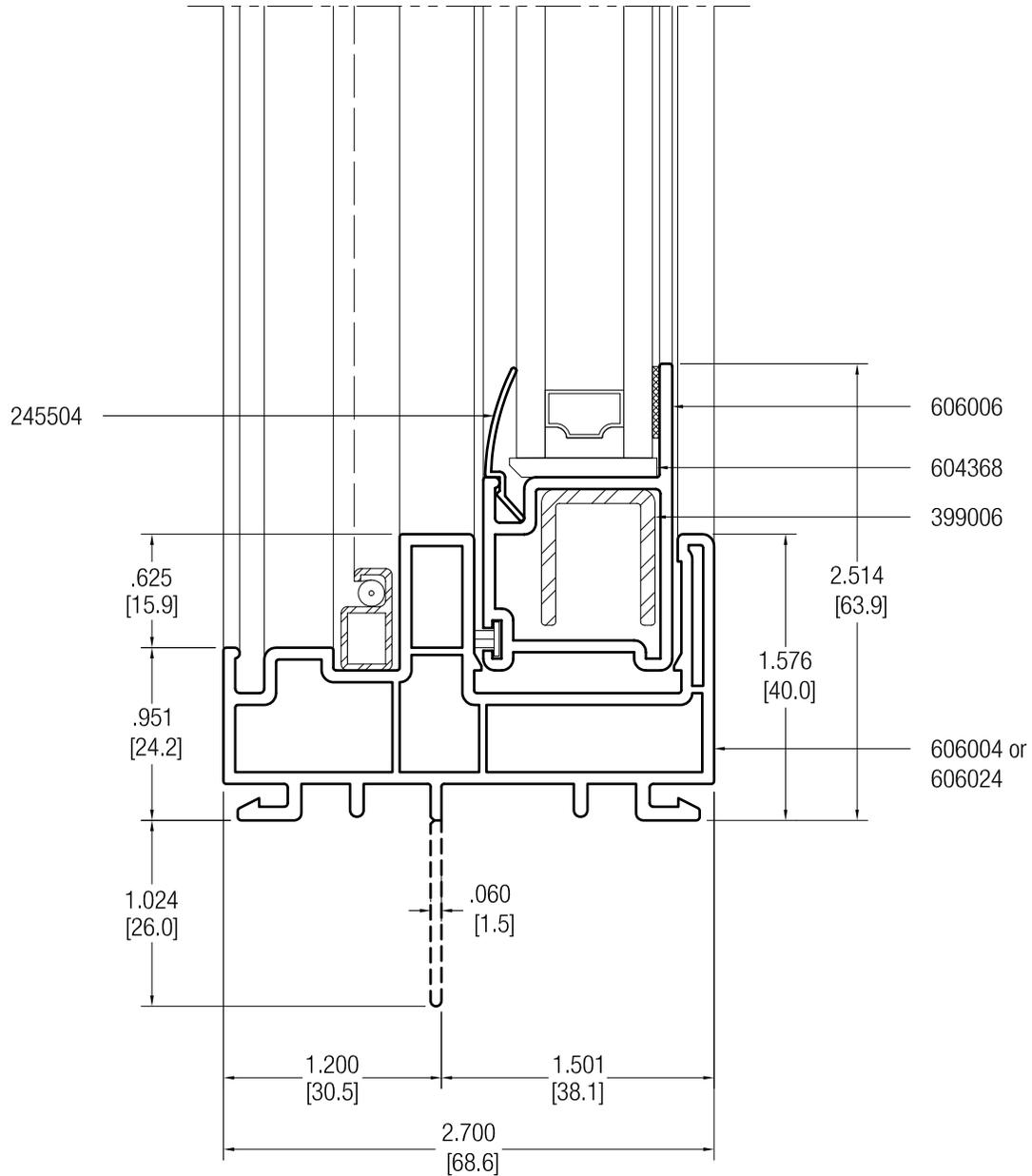
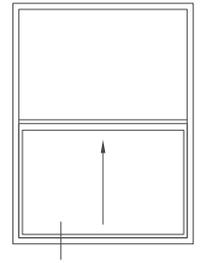
Fixed Window - Sill, 606074



REHAU WINDOW SYSTEM 190

DETAIL DRAWINGS

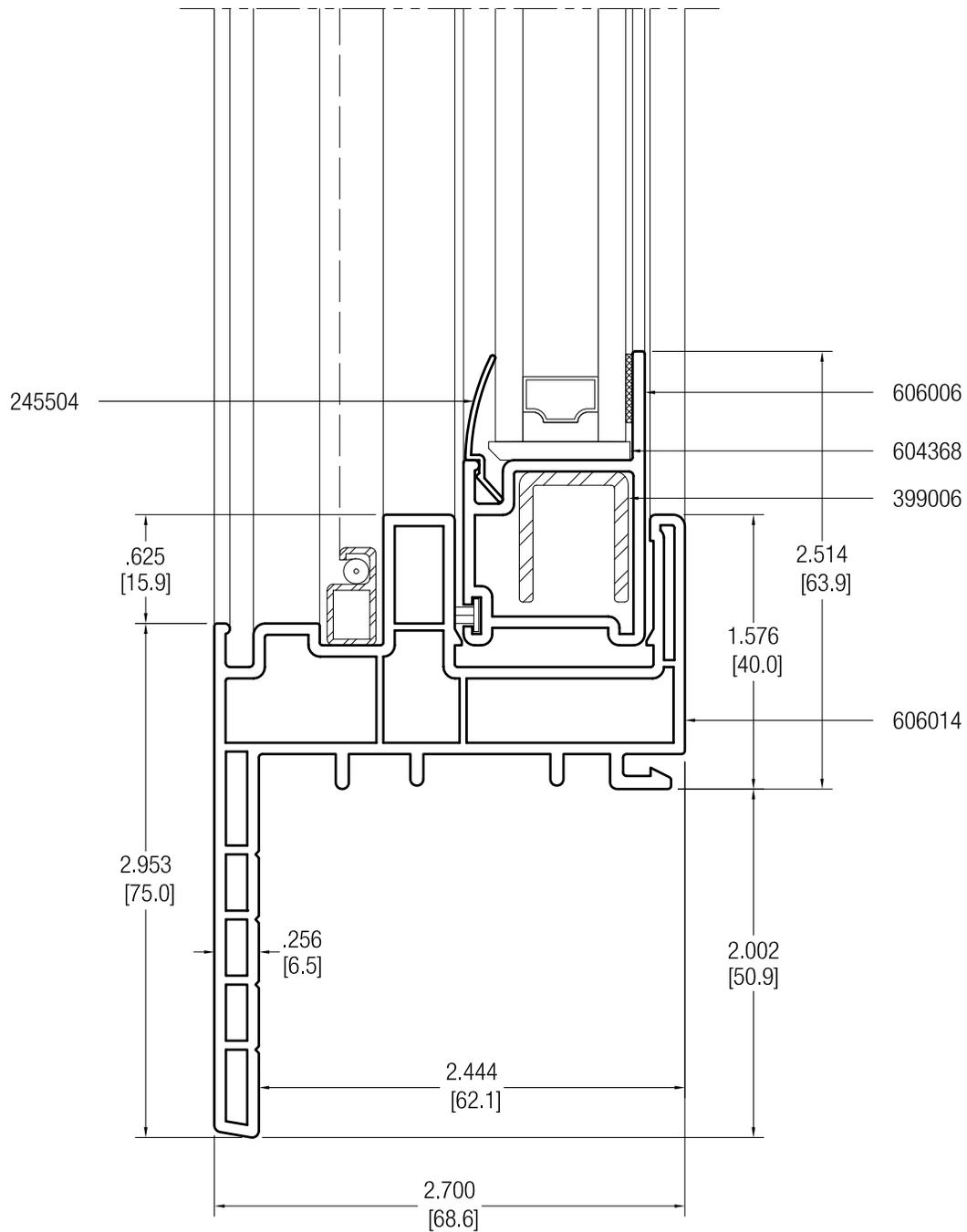
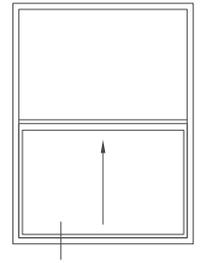
Single-Hung Window - Sill, 606004 or 606024



REHAU WINDOW SYSTEM 190

DETAIL DRAWINGS

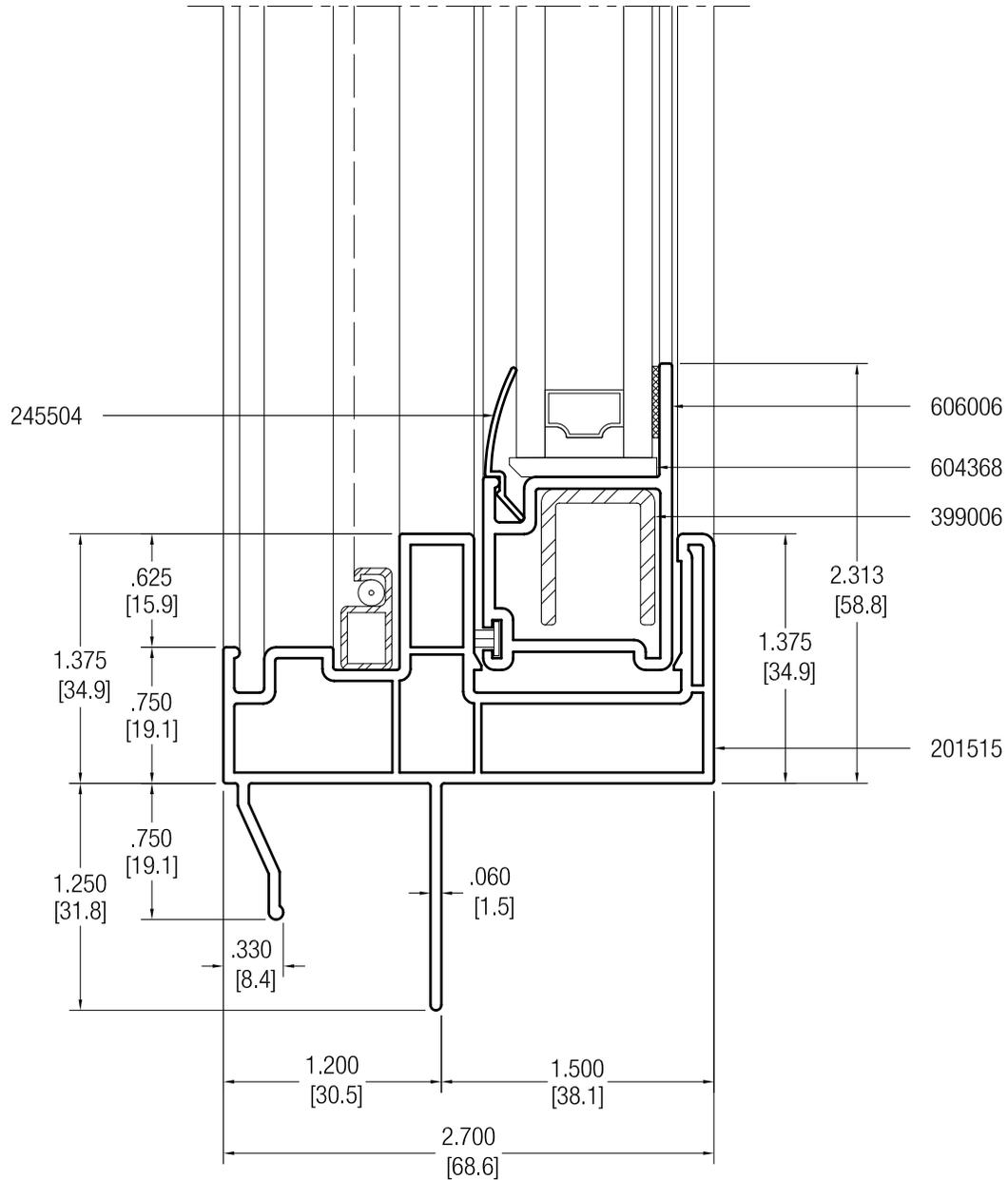
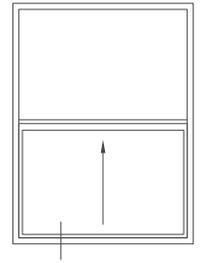
Single-Hung Window - Sill, 606014



REHAU WINDOW SYSTEM 190

DETAIL DRAWINGS

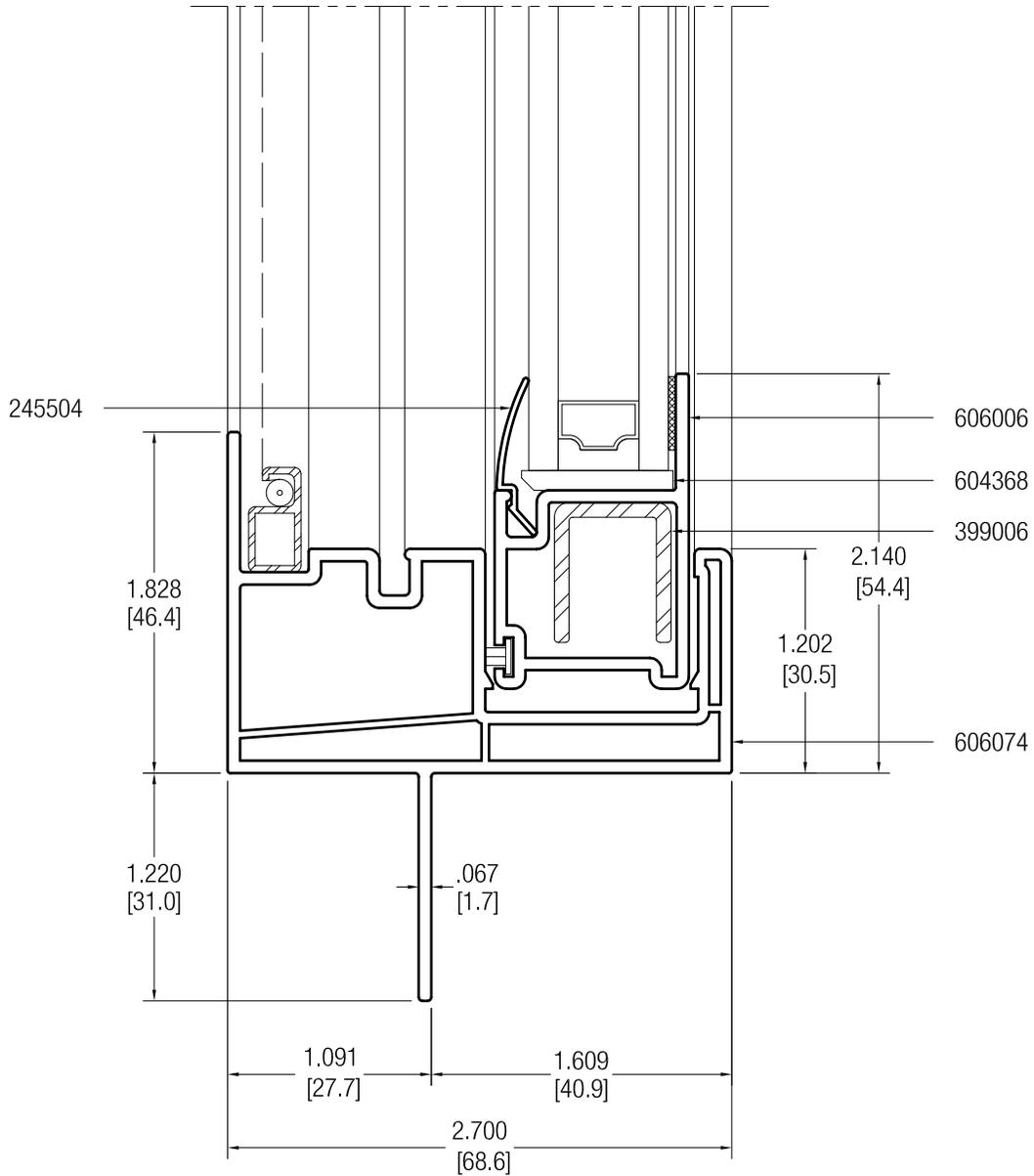
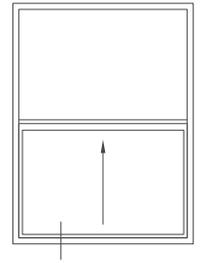
Single-Hung Window - Sill, 201515



REHAU WINDOW SYSTEM 190

DETAIL DRAWINGS

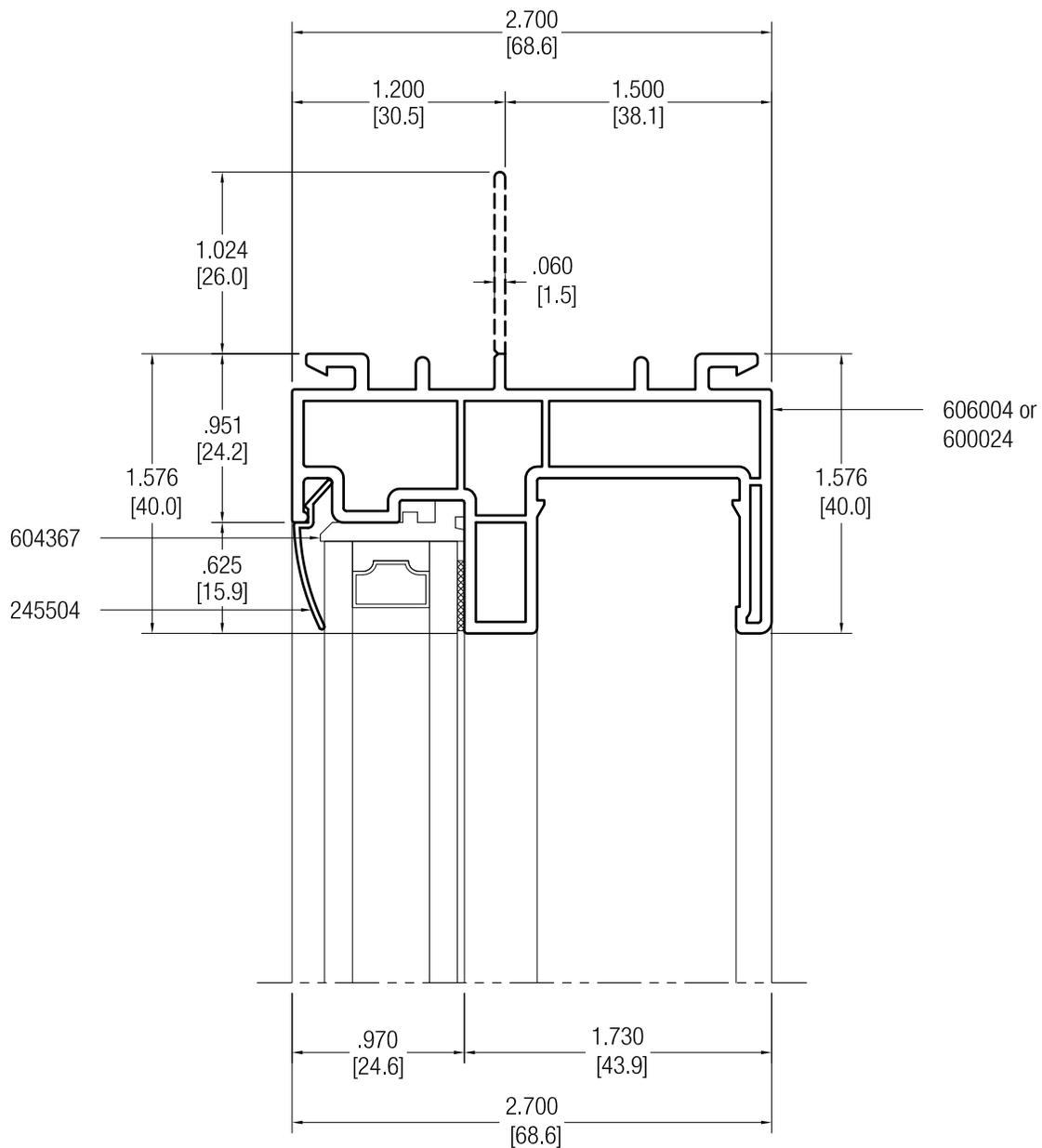
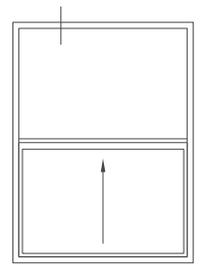
Single-Hung Window - Sill, 606074



REHAU WINDOW SYSTEM 190

DETAIL DRAWINGS

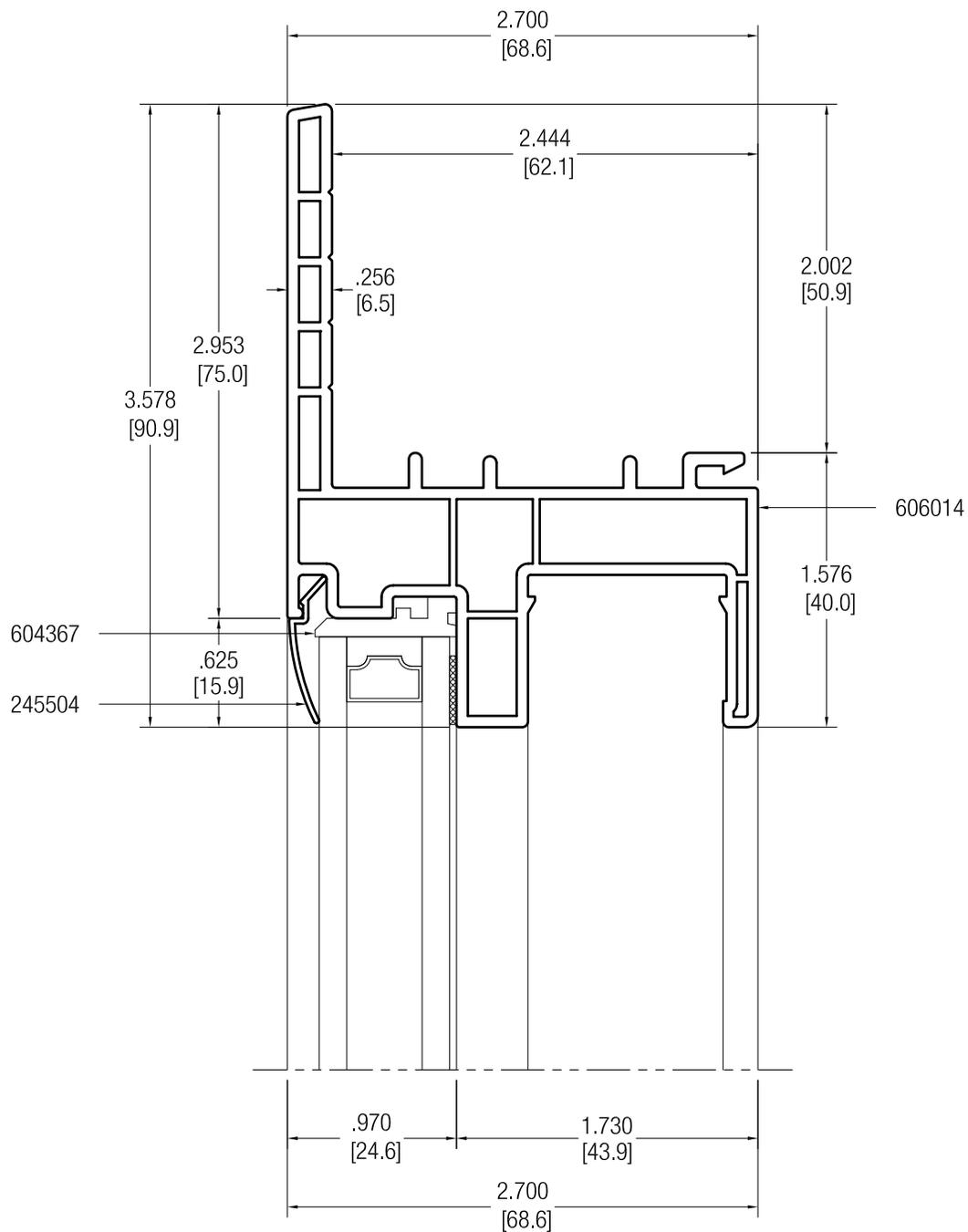
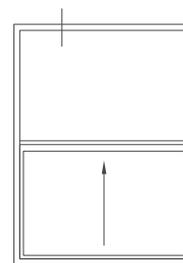
Single-Hung Window - Head, 606004 or 606024



REHAU WINDOW SYSTEM 190

DETAIL DRAWINGS

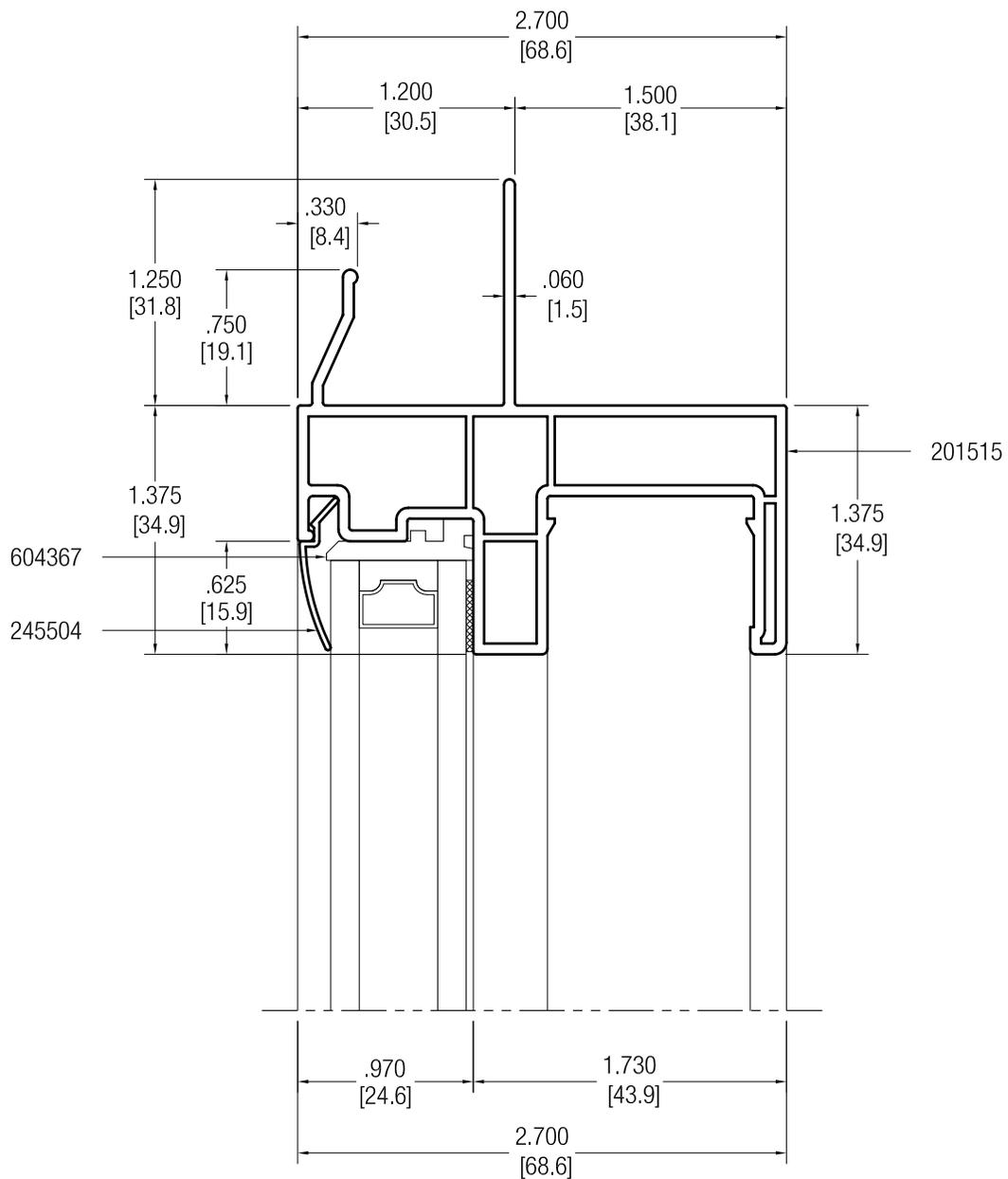
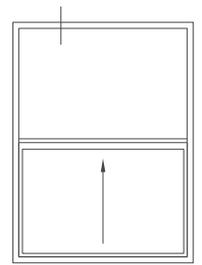
Single-Hung Window - Head, 606014



REHAU WINDOW SYSTEM 190

DETAIL DRAWINGS

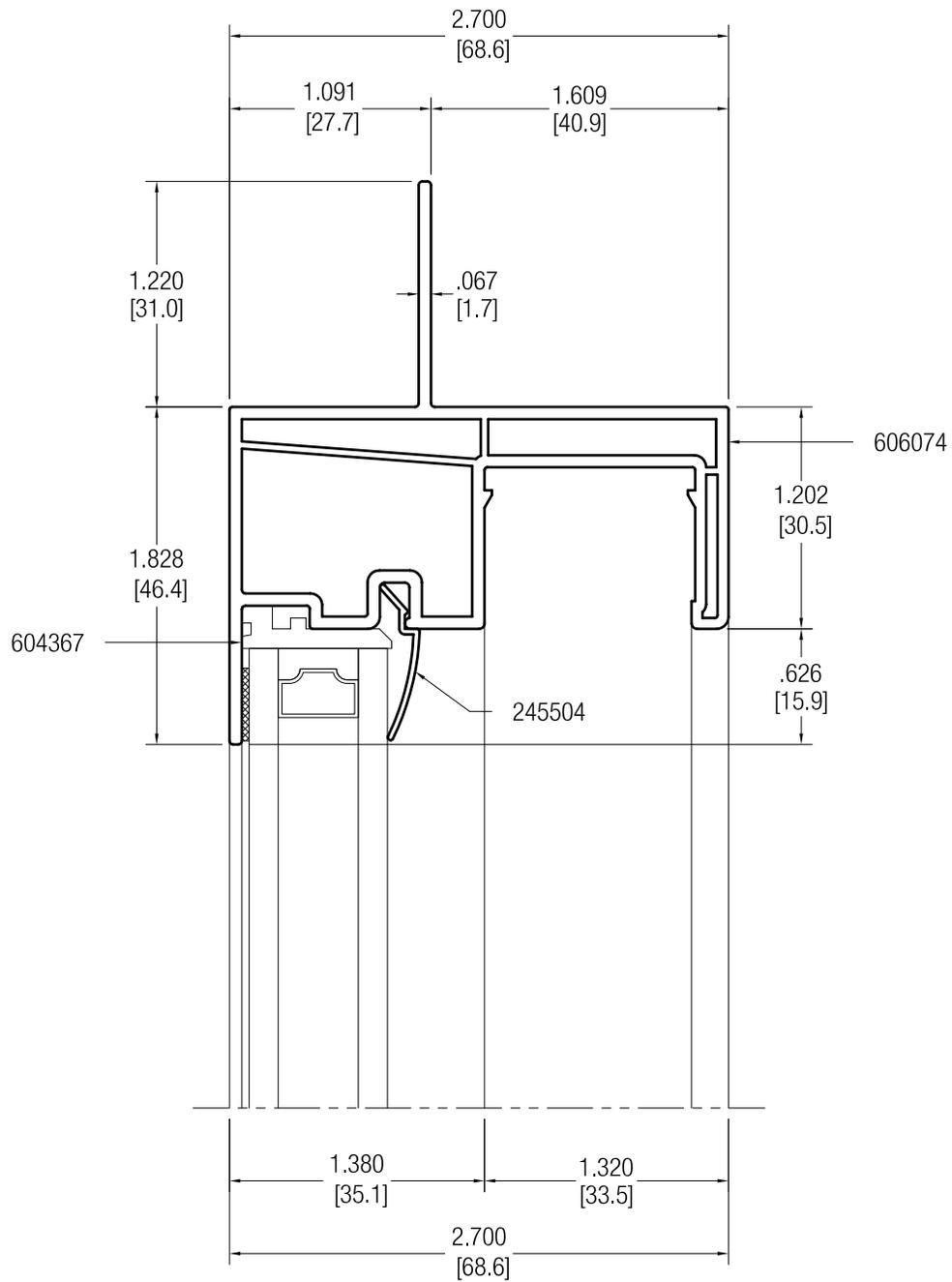
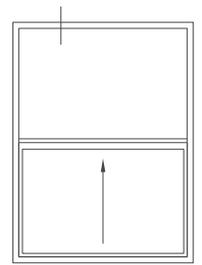
Single-Hung Window - Head, 201515



REHAU WINDOW SYSTEM 190

DETAIL DRAWINGS

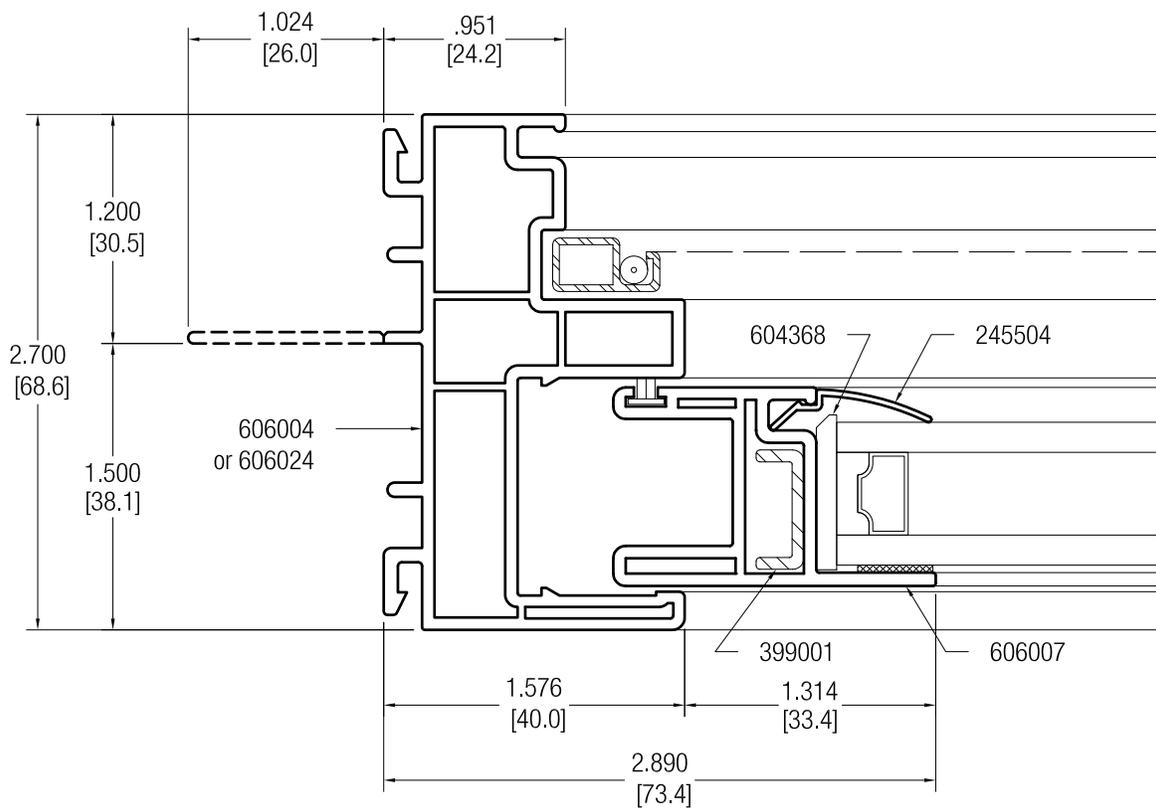
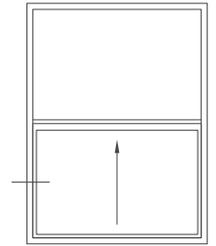
Single-Hung Window - Head, 606074



REHAU WINDOW SYSTEM 190

DETAIL DRAWINGS

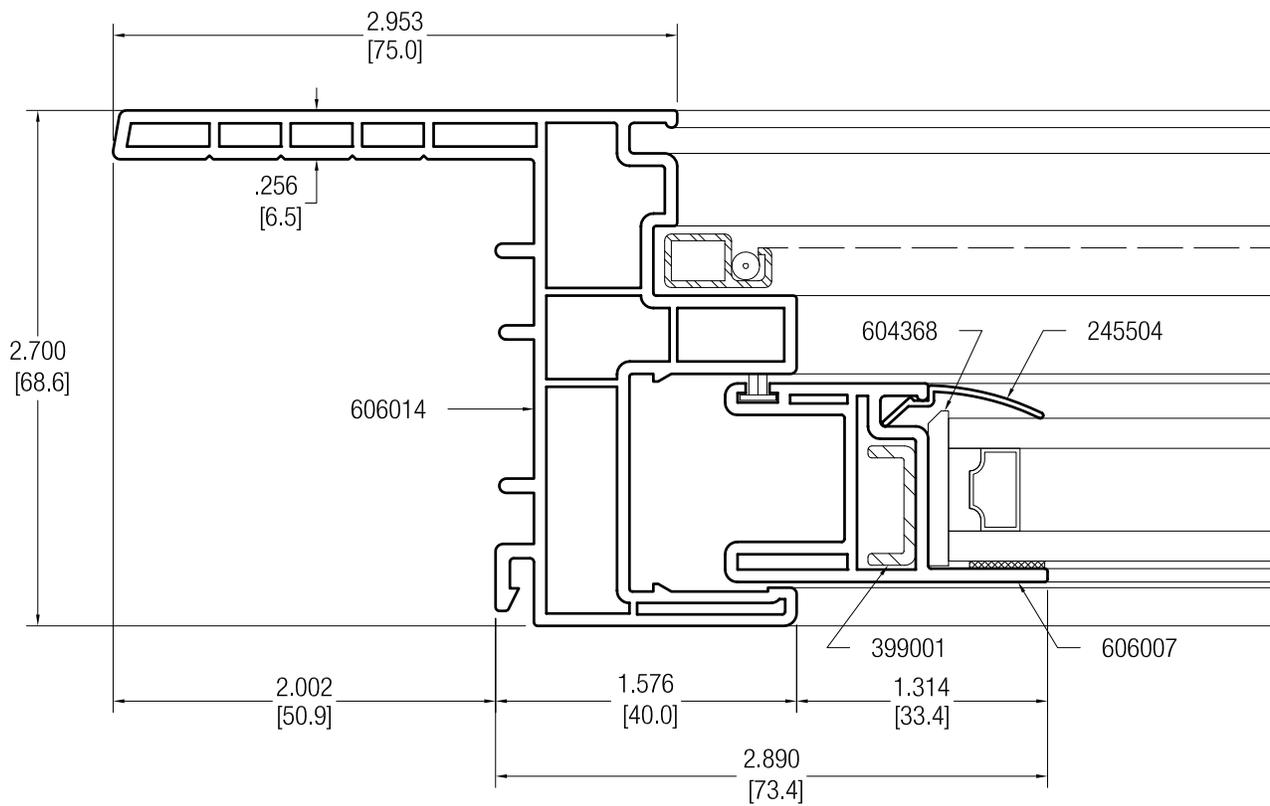
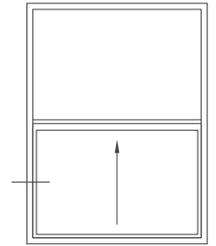
Single-Hung Window - Jamb, 606004 or 606024



REHAU WINDOW SYSTEM 190

DETAIL DRAWINGS

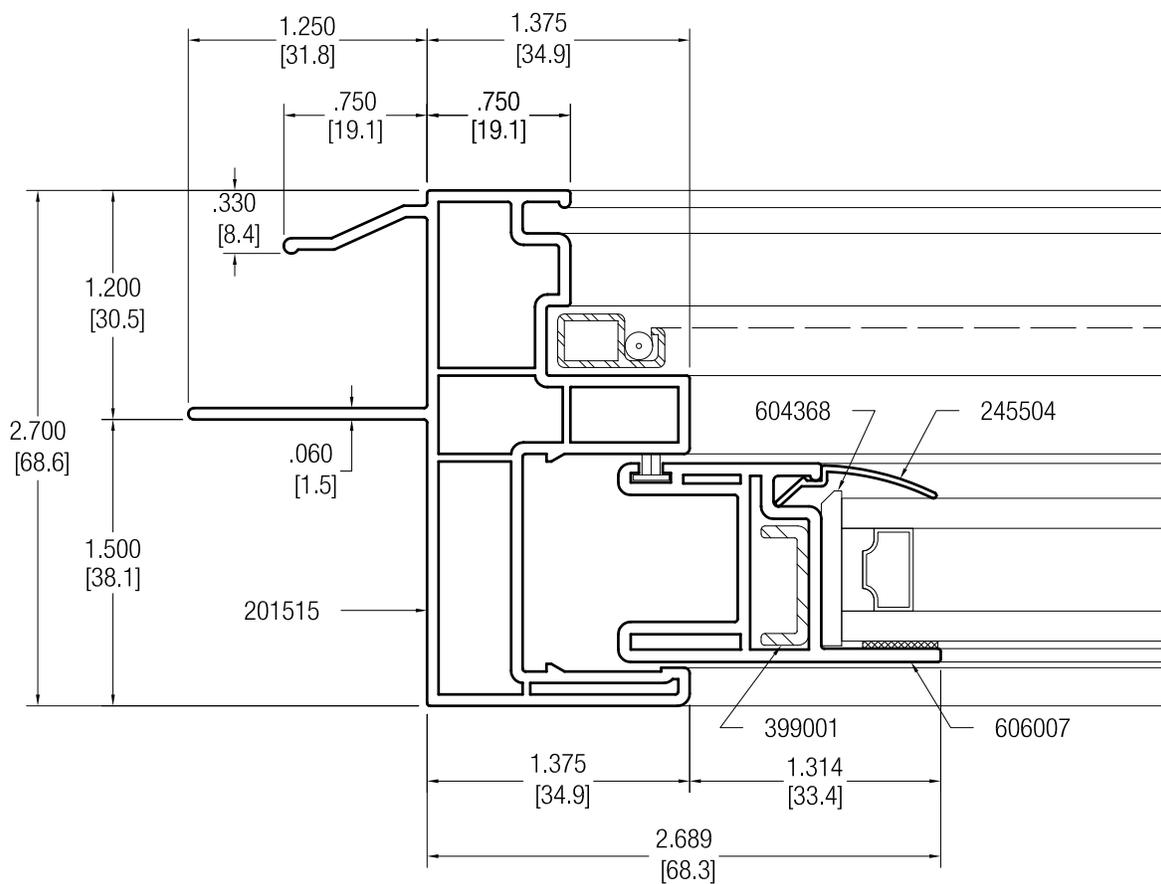
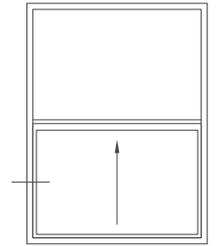
Single-Hung Window - Jamb, 606014



REHAU WINDOW SYSTEM 190

DETAIL DRAWINGS

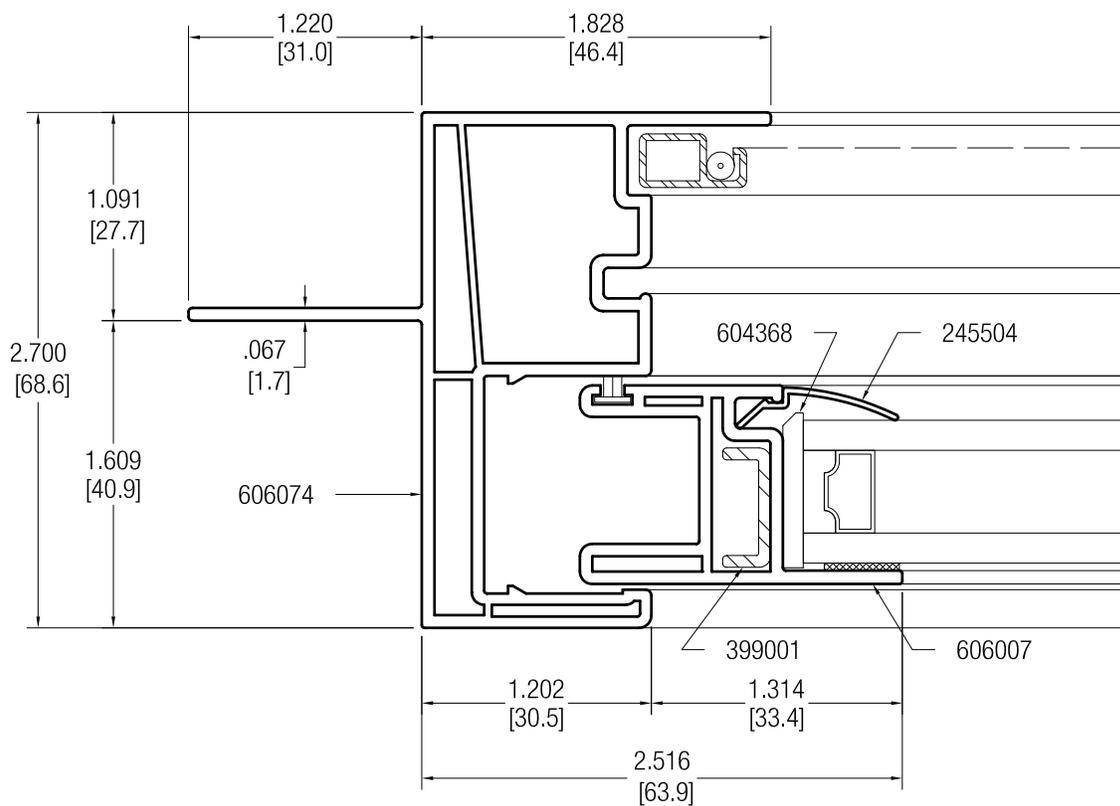
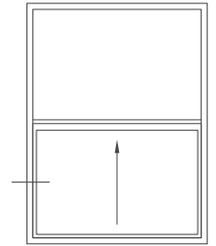
Single-Hung Window - Jamb, 601515



REHAU WINDOW SYSTEM 190

DETAIL DRAWINGS

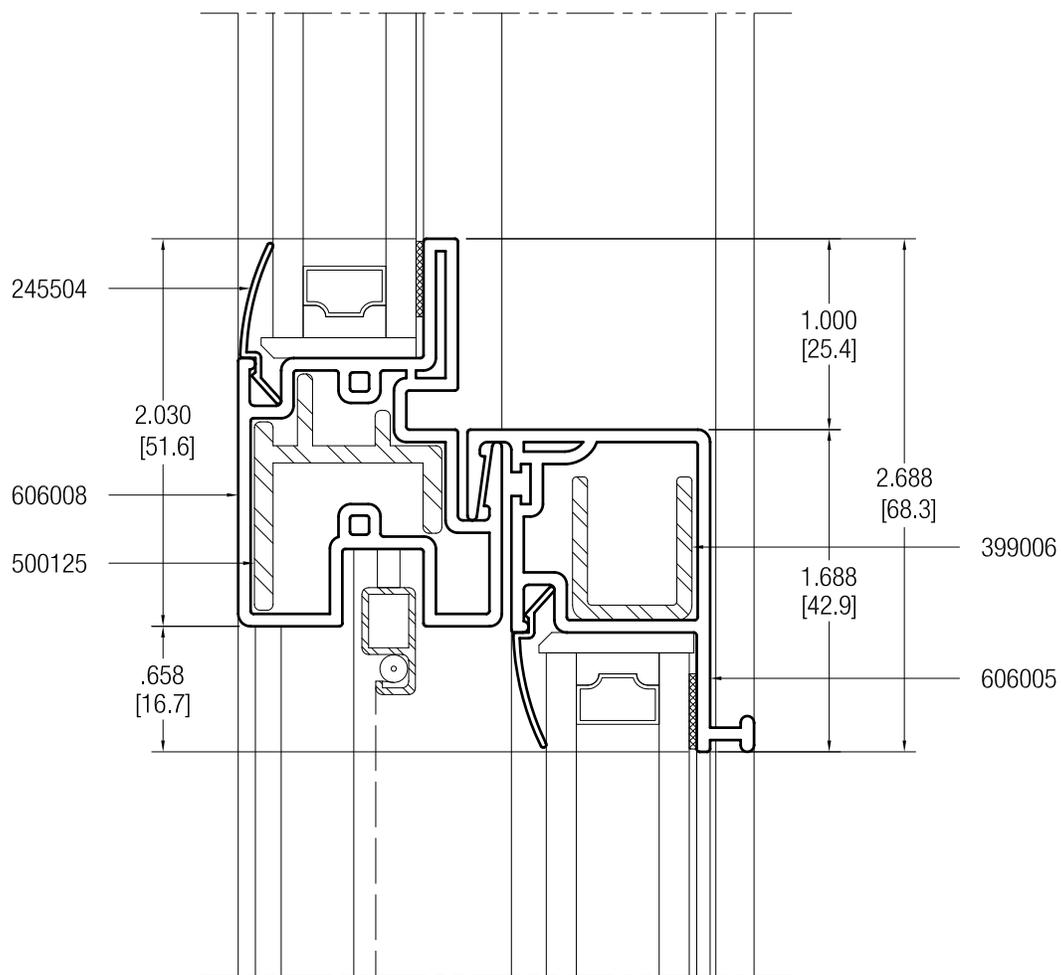
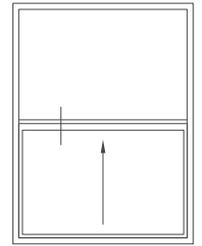
Single-Hung Window - Jamb, 606074



REHAU WINDOW SYSTEM 190

DETAIL DRAWINGS

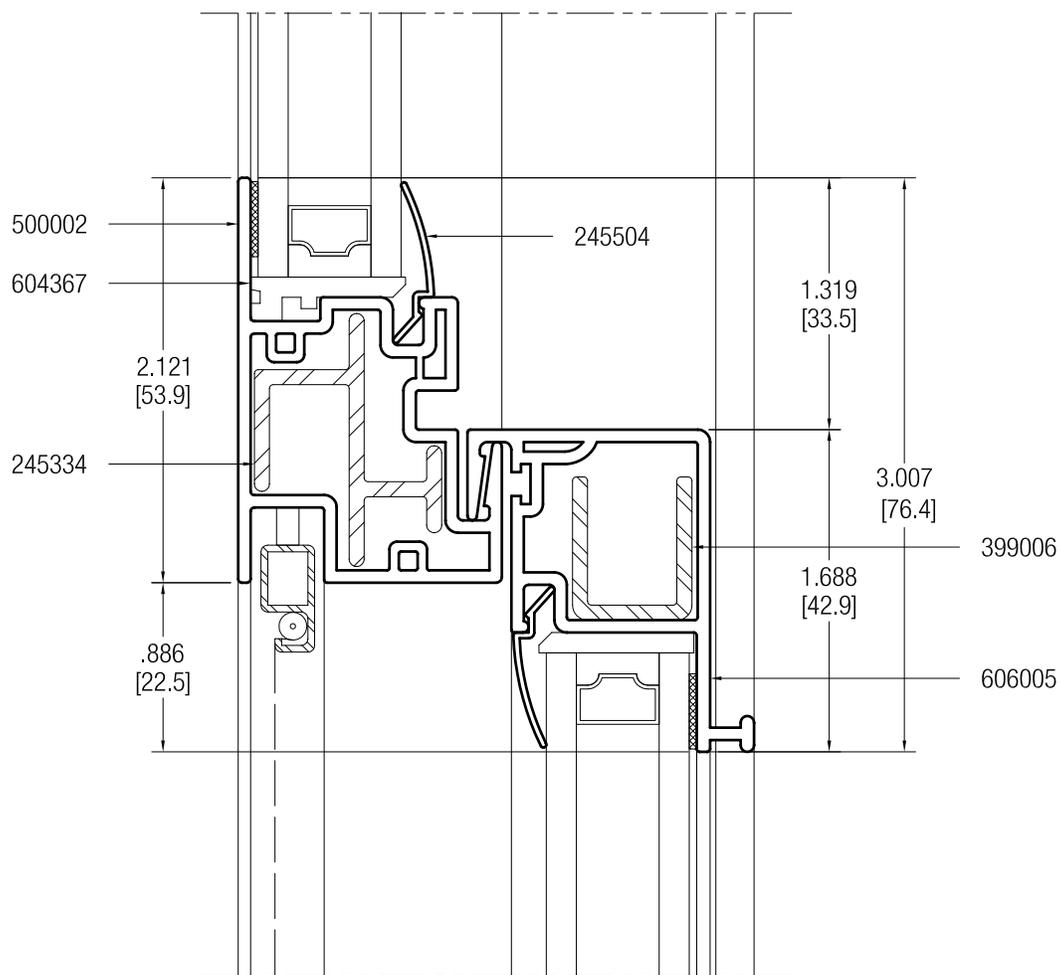
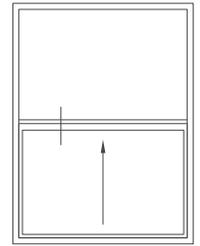
Single-Hung Window - Interlock, 606008 and 606005



REHAU WINDOW SYSTEM 190

DETAIL DRAWINGS

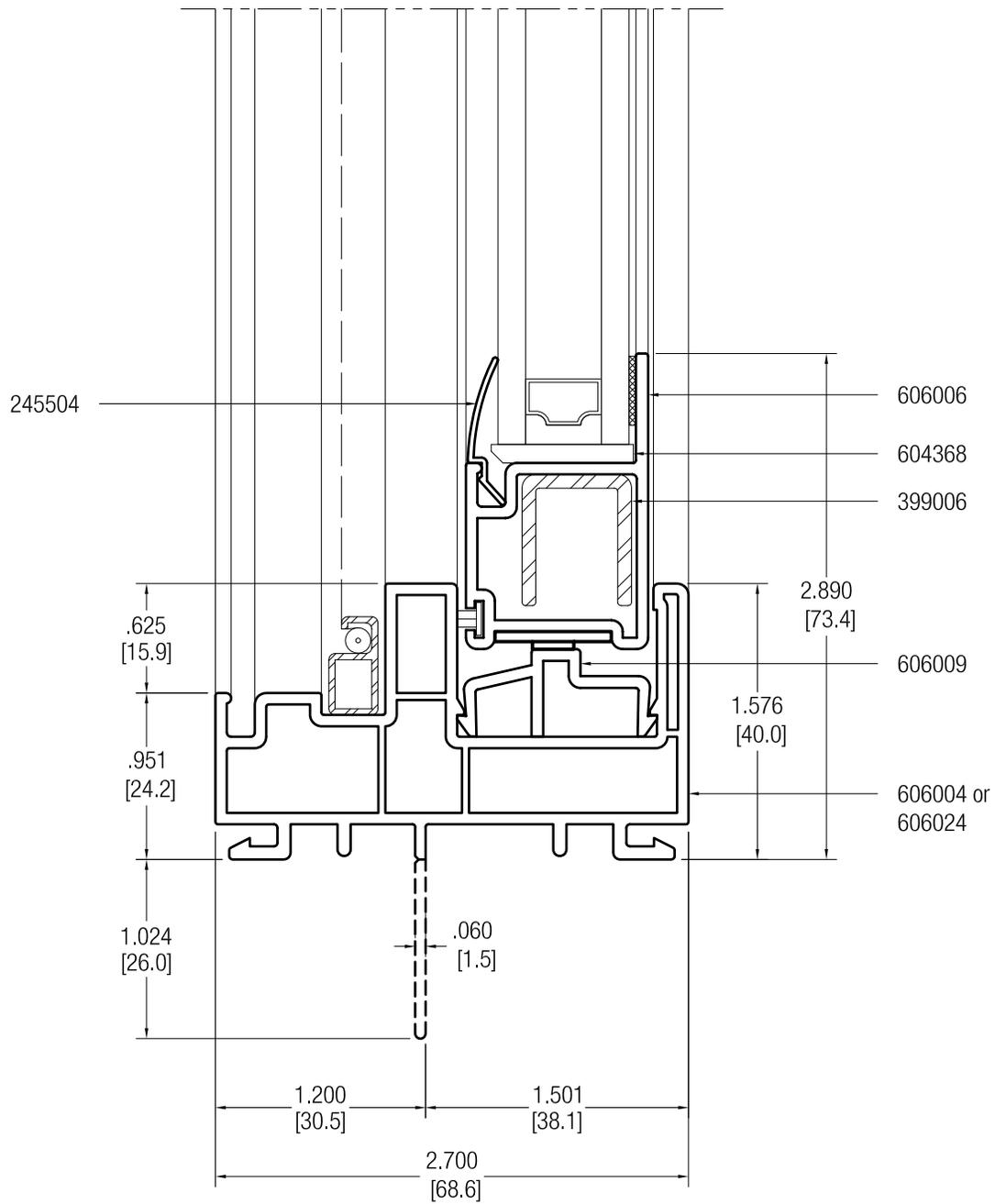
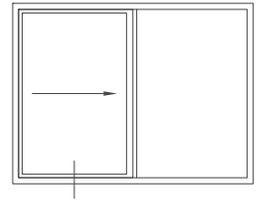
Single-Hung Window - Interlock, 500002 and 606005



REHAU WINDOW SYSTEM 190

DETAIL DRAWINGS

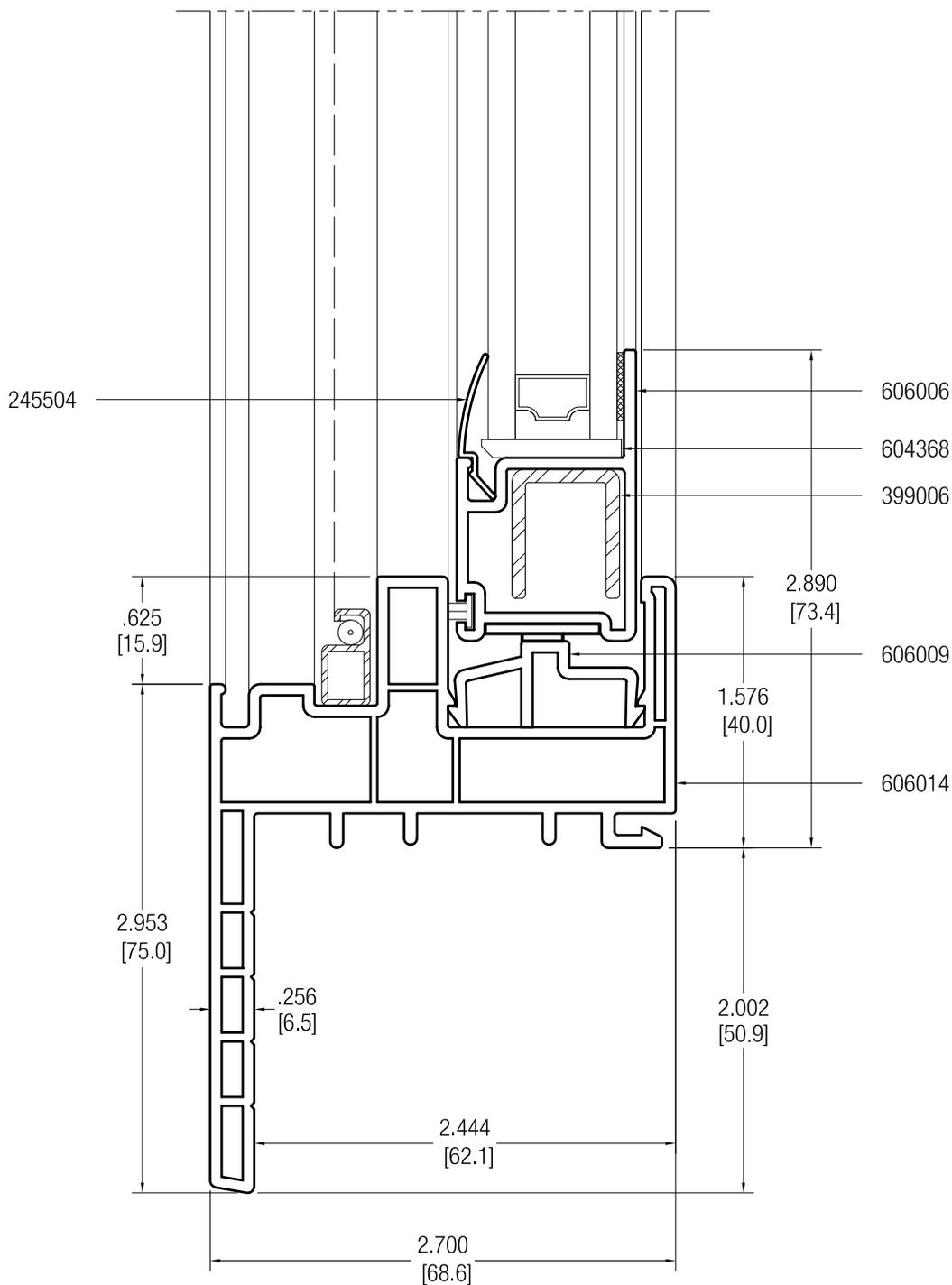
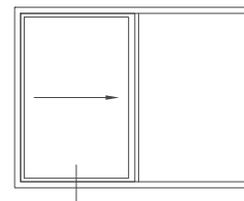
Single-Slider Window - Sill, 606004 or 606024



REHAU WINDOW SYSTEM 190

DETAIL DRAWINGS

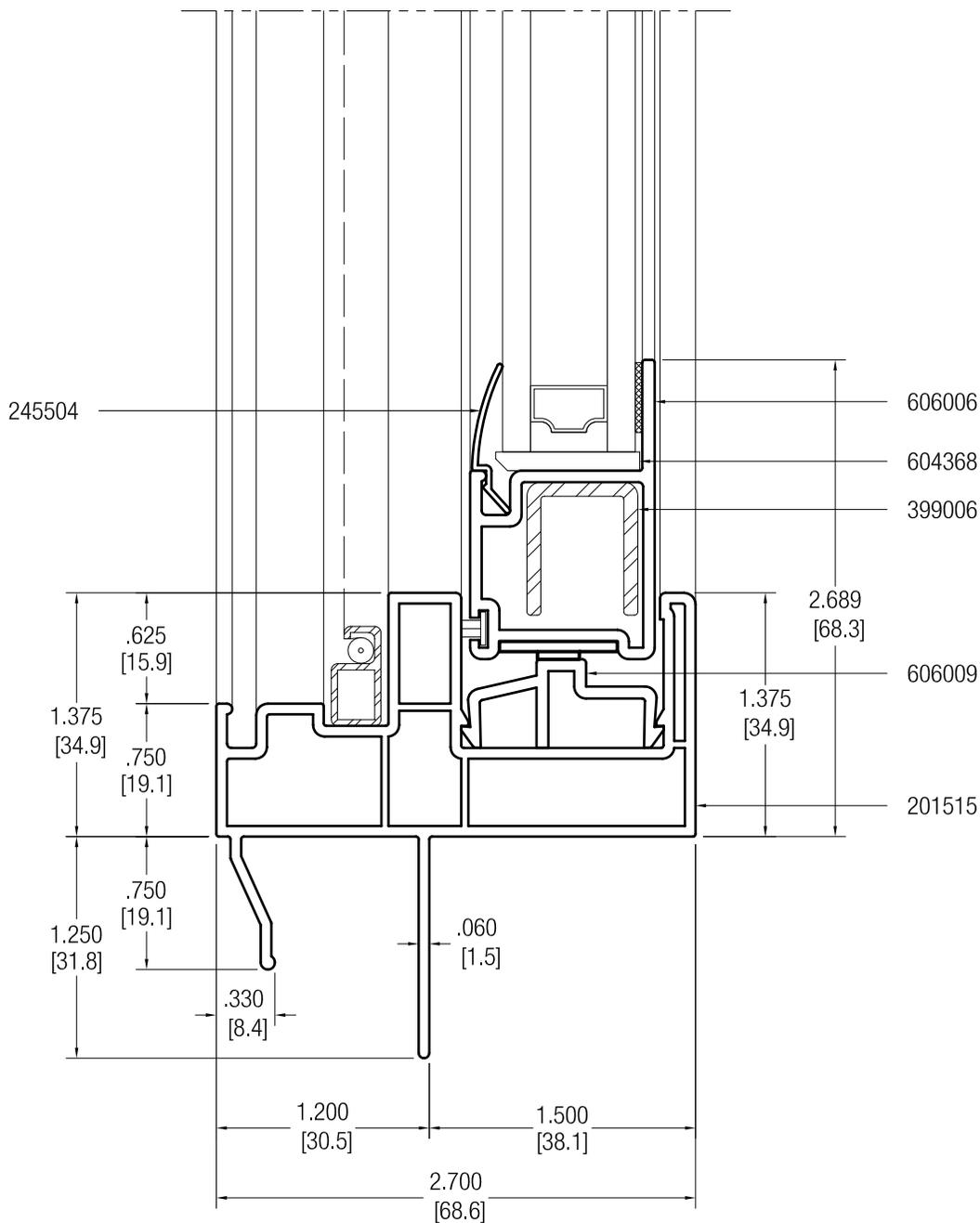
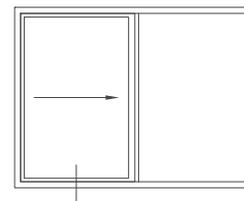
Single-Slider Window - Sill, 606014



REHAU WINDOW SYSTEM 190

DETAIL DRAWINGS

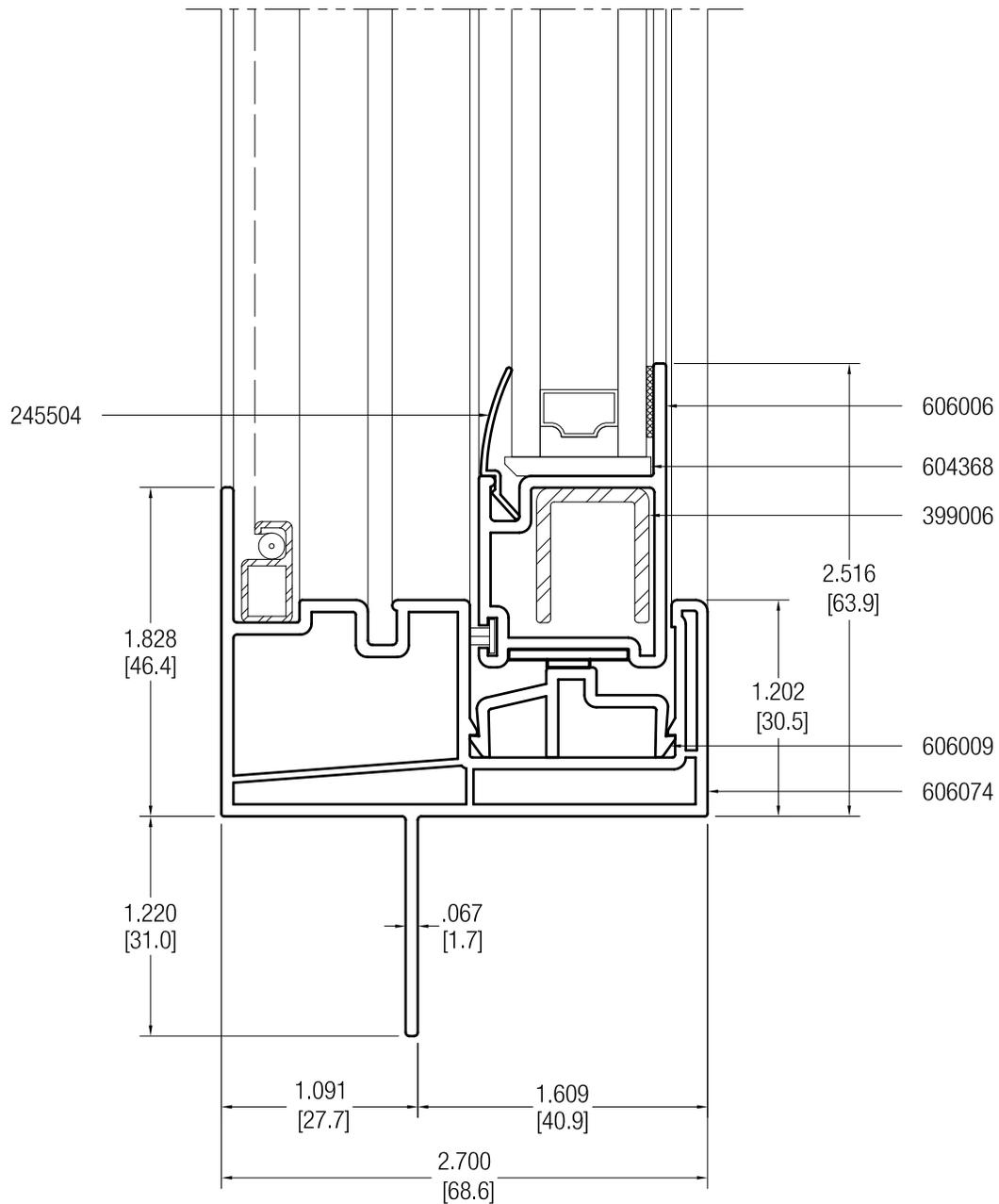
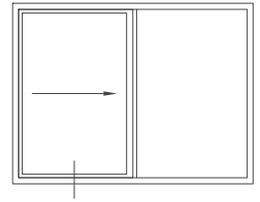
Single-Slider Window - Sill, 201515



REHAU WINDOW SYSTEM 190

DETAIL DRAWINGS

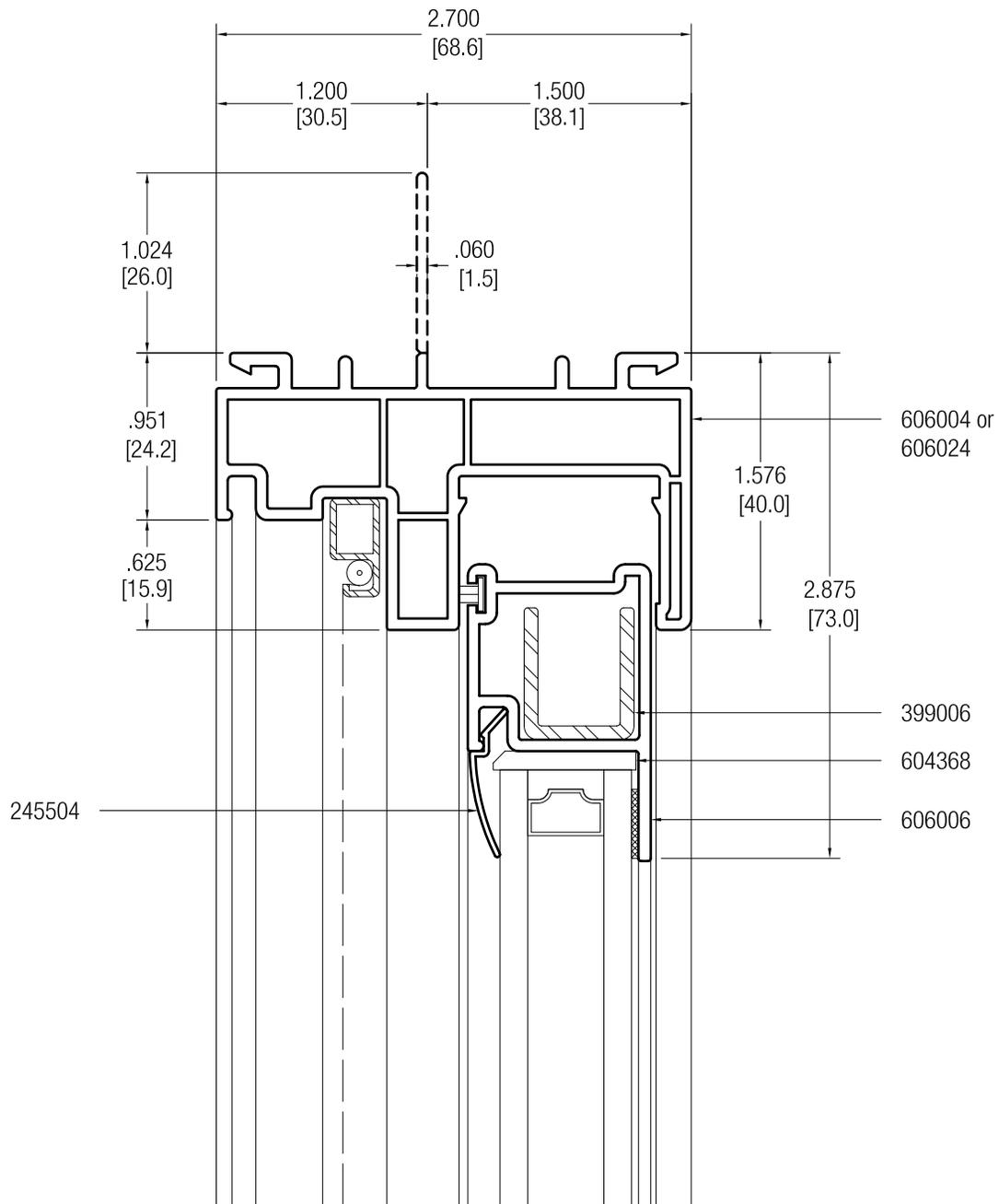
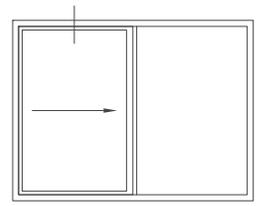
Single-Slider Window - Sill, 606074



REHAU WINDOW SYSTEM 190

DETAIL DRAWINGS

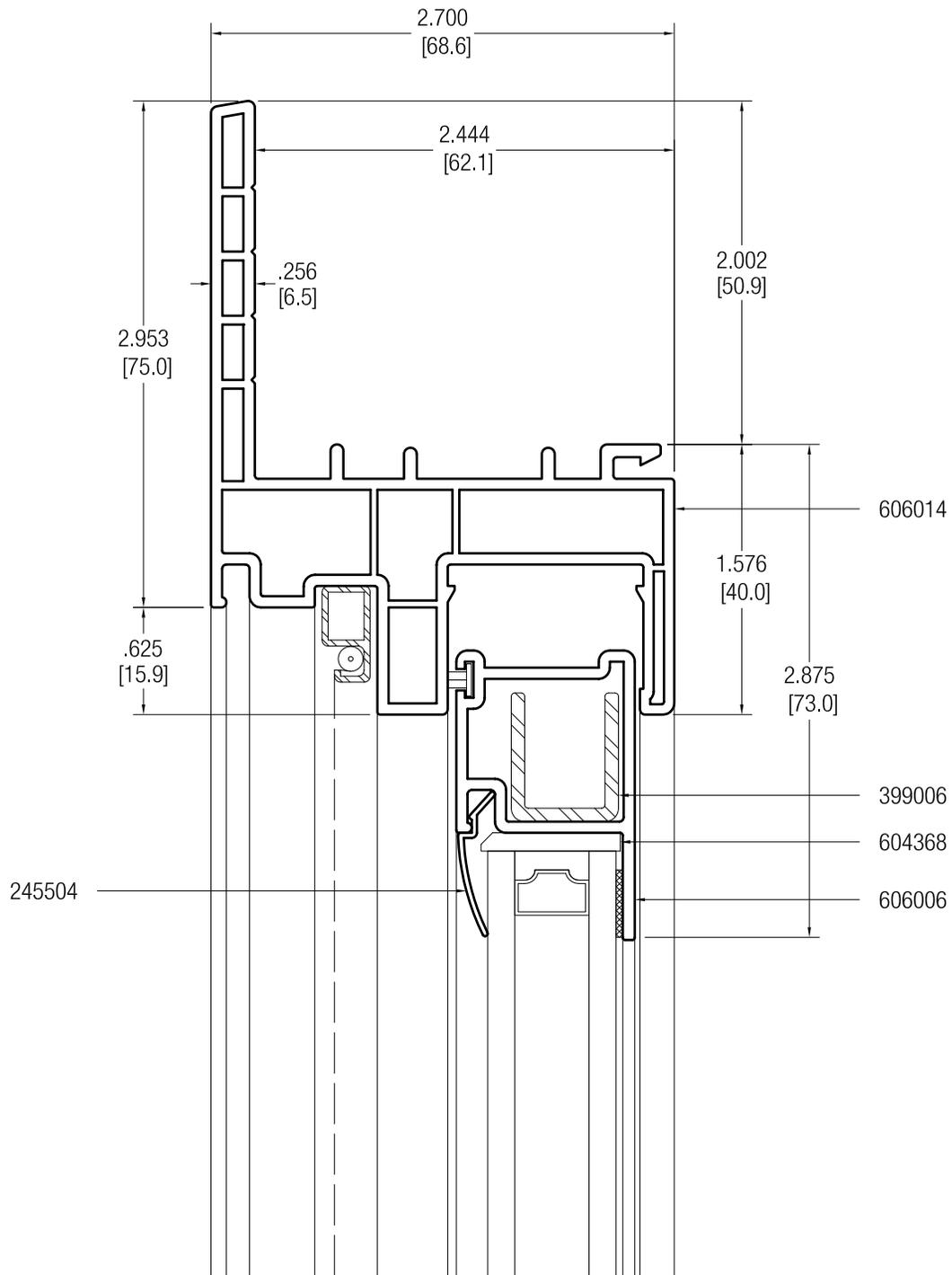
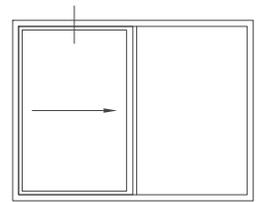
Single-Slider Window - Head, 606004 or 606024



REHAU WINDOW SYSTEM 190

DETAIL DRAWINGS

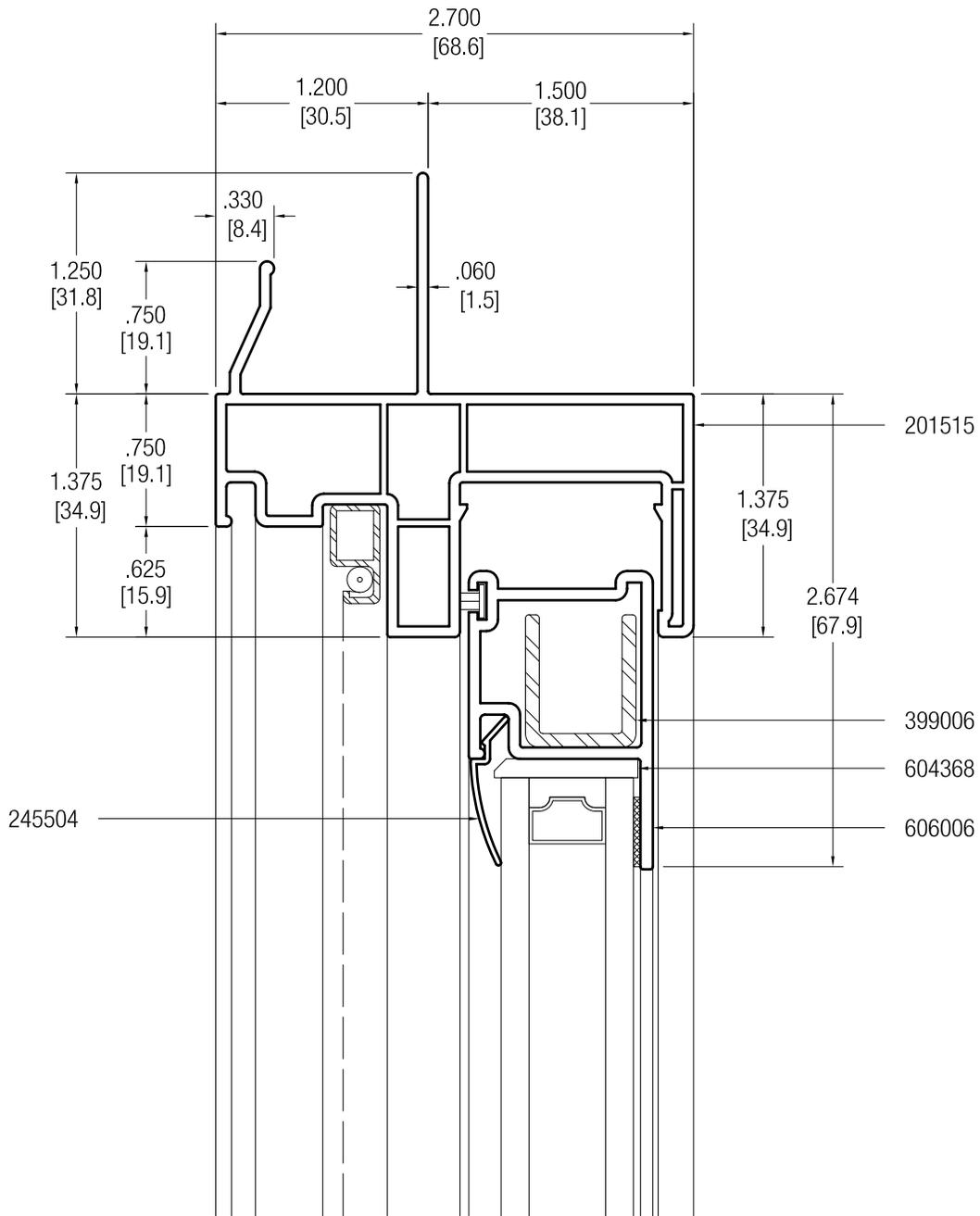
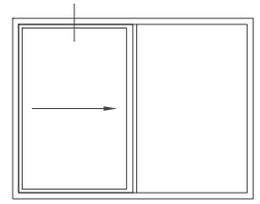
Single-Slider Window - Head, 606014



REHAU WINDOW SYSTEM 190

DETAIL DRAWINGS

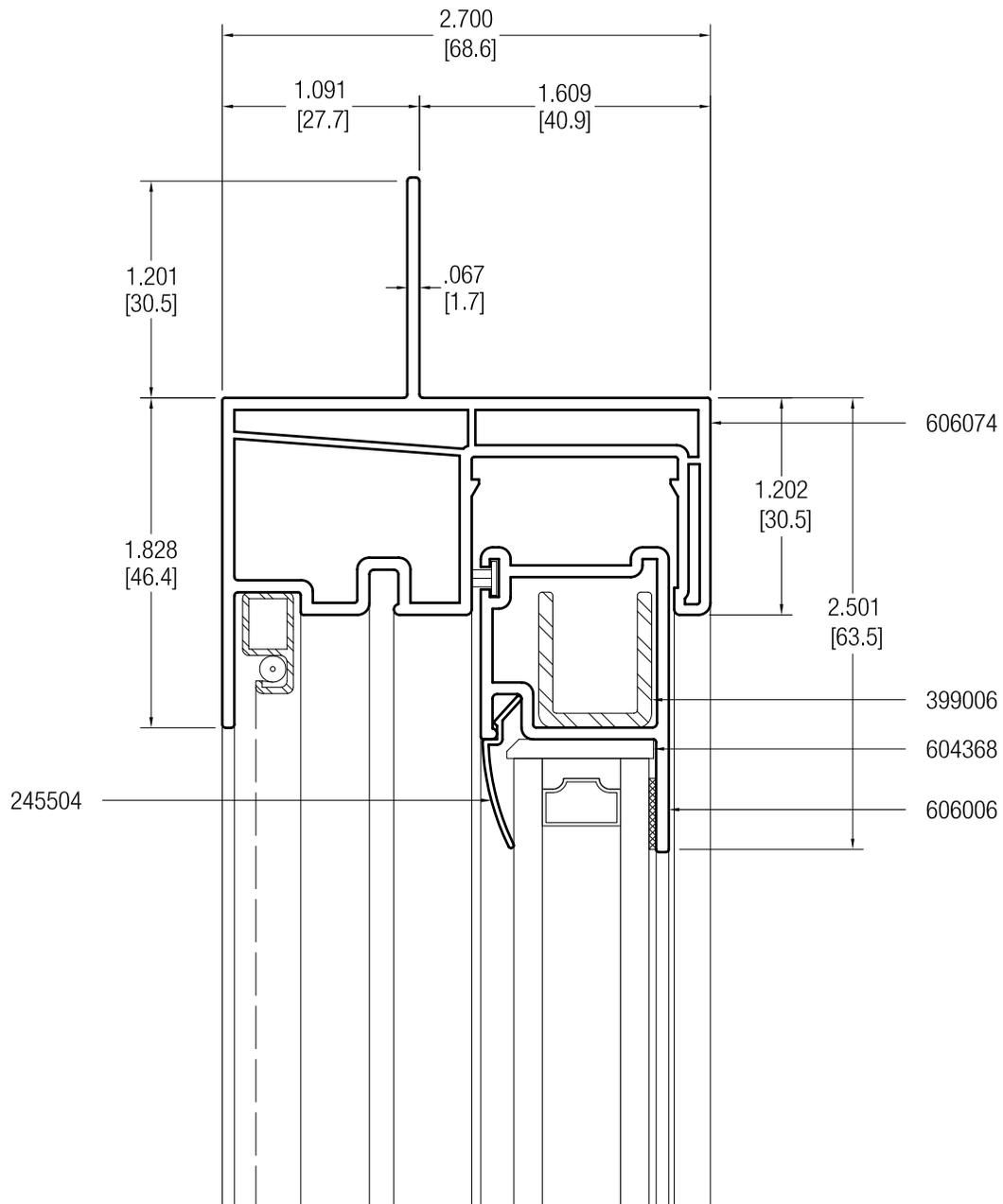
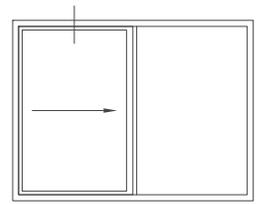
Single-Slider Window - Head, 201515



REHAU WINDOW SYSTEM 190

DETAIL DRAWINGS

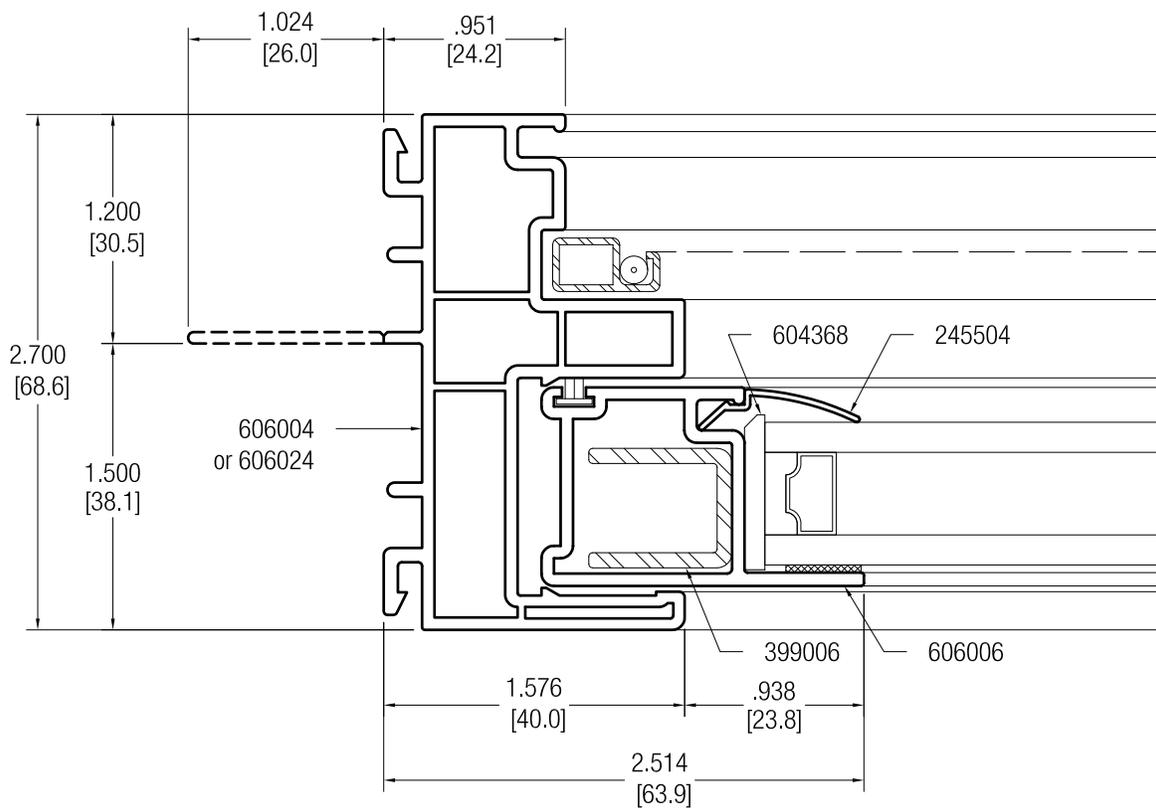
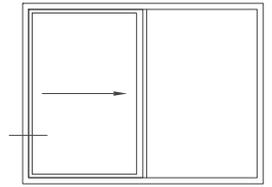
Single-Slider Window - Head, 606074



REHAU WINDOW SYSTEM 190

DETAIL DRAWINGS

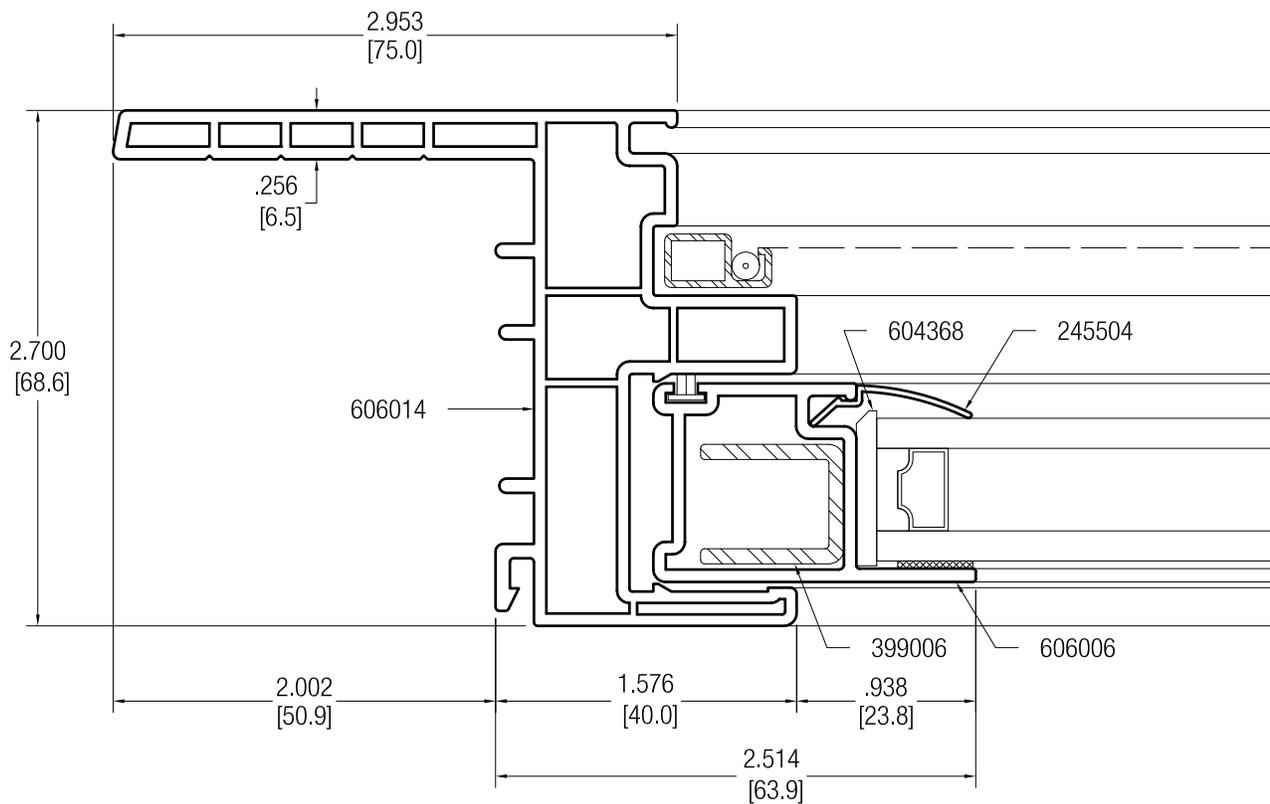
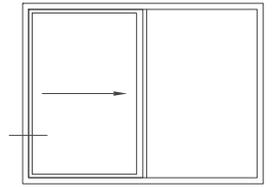
Single-Slider Window - Jamb, 606004 or 606024



REHAU WINDOW SYSTEM 190

DETAIL DRAWINGS

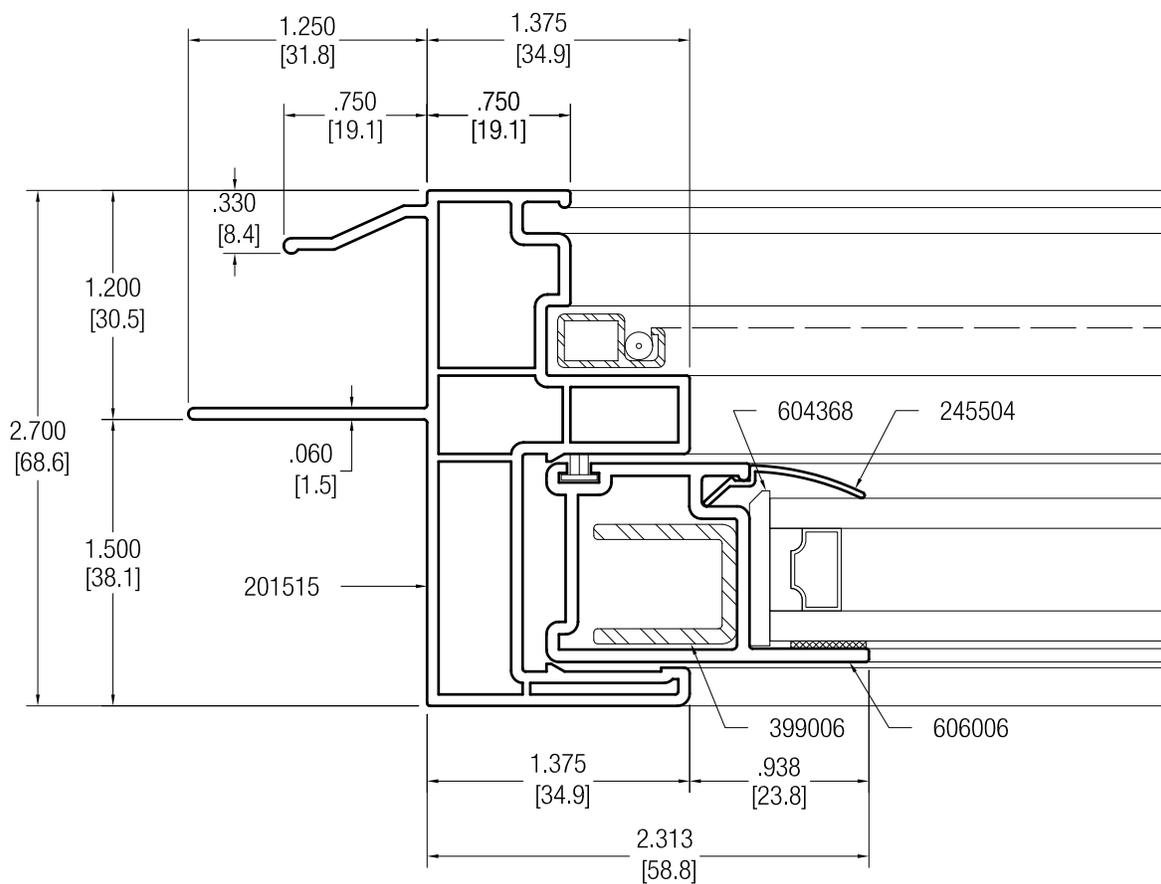
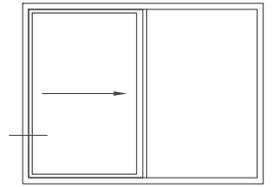
Single-Slider Window - Jamb, 606014



REHAU WINDOW SYSTEM 190

DETAIL DRAWINGS

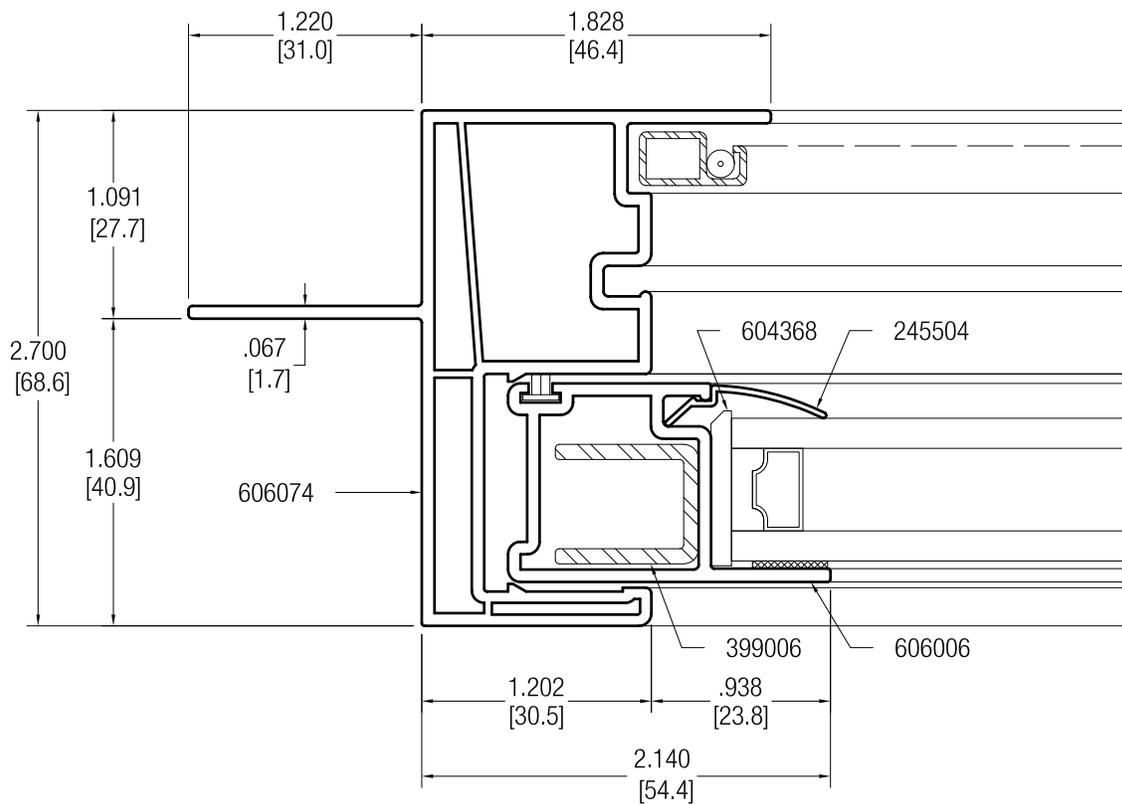
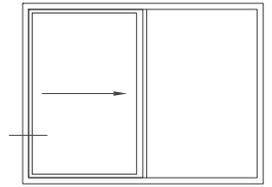
Single-Slider Window - Jamb, 201515



REHAU WINDOW SYSTEM 190

DETAIL DRAWINGS

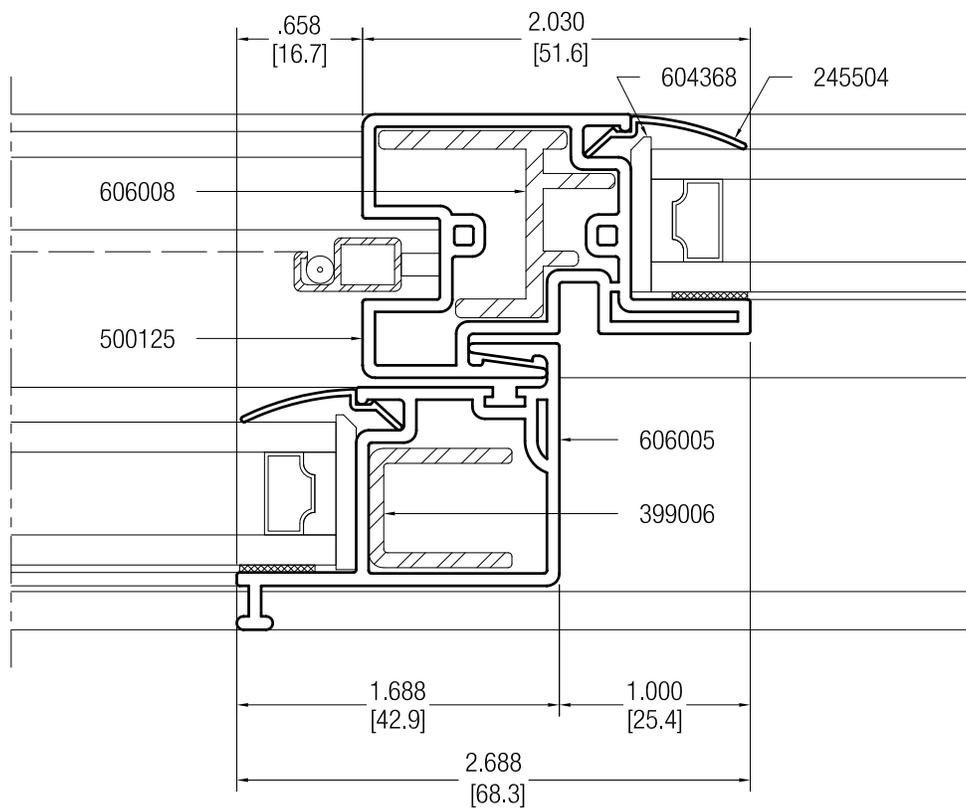
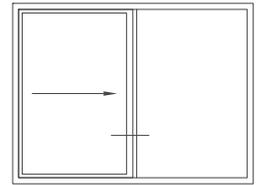
Single-Slider Window - Jamb, 606074



REHAU WINDOW SYSTEM 190

DETAIL DRAWINGS

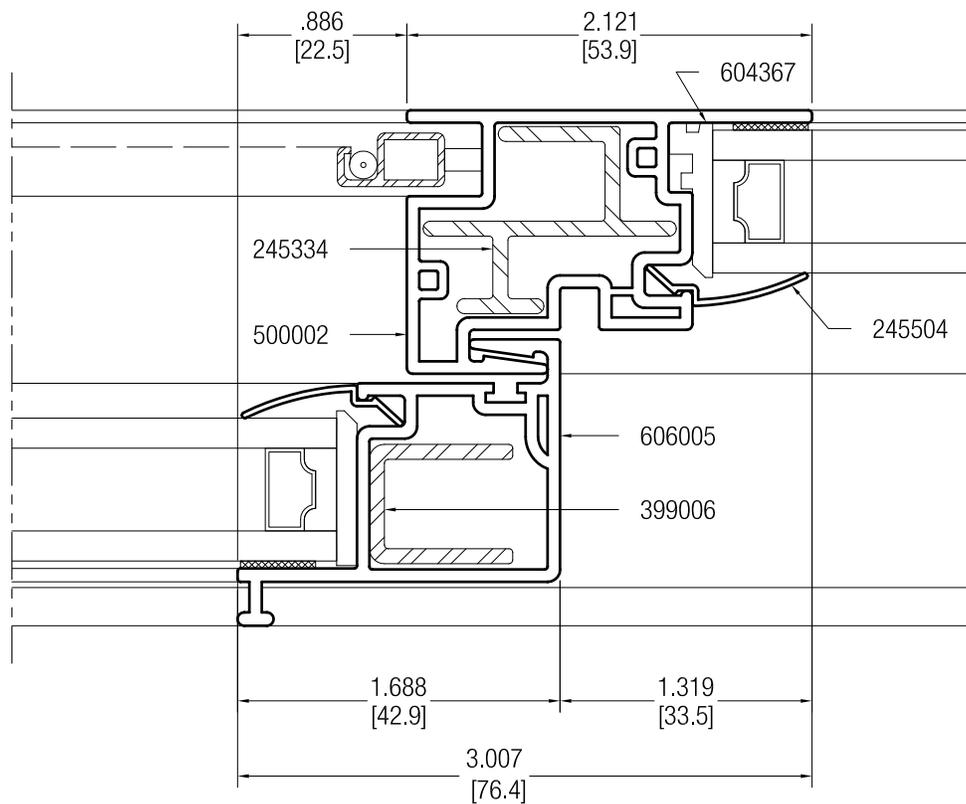
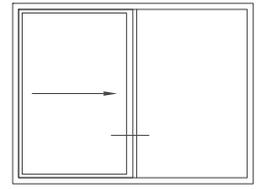
Single-Slider Window - Interlock, 606008 and 606005



REHAU WINDOW SYSTEM 190

DETAIL DRAWINGS

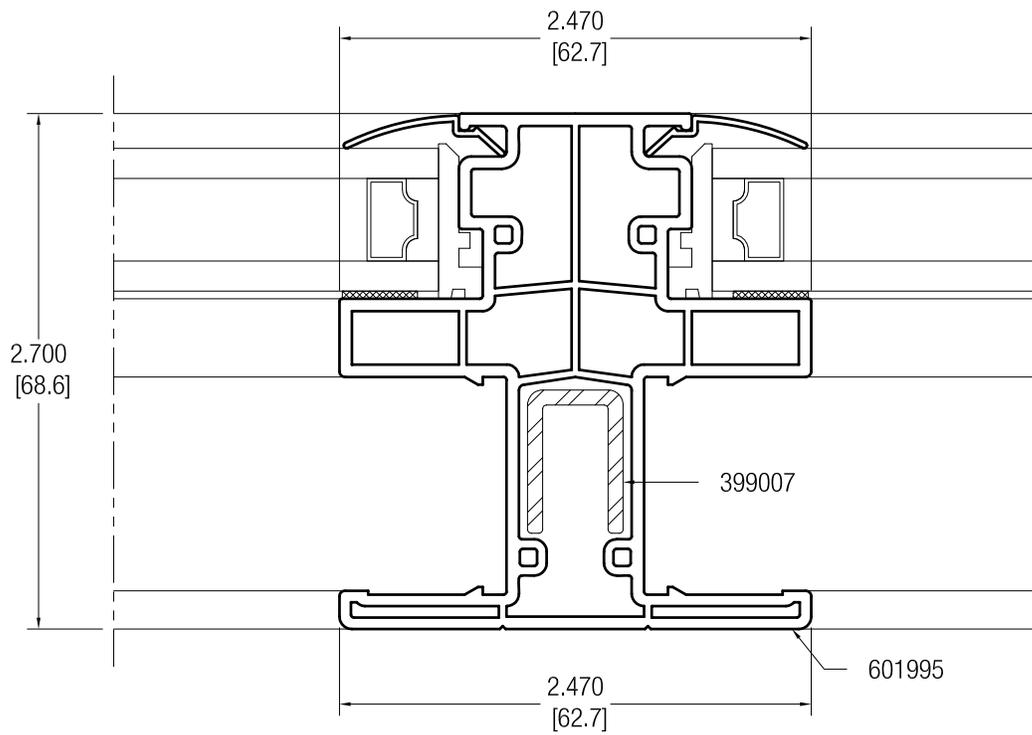
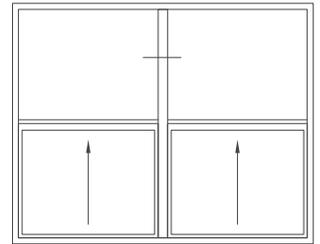
Single-Slider Window - Interlock, 500002 and 606005



REHAU WINDOW SYSTEM 190

DETAIL DRAWINGS

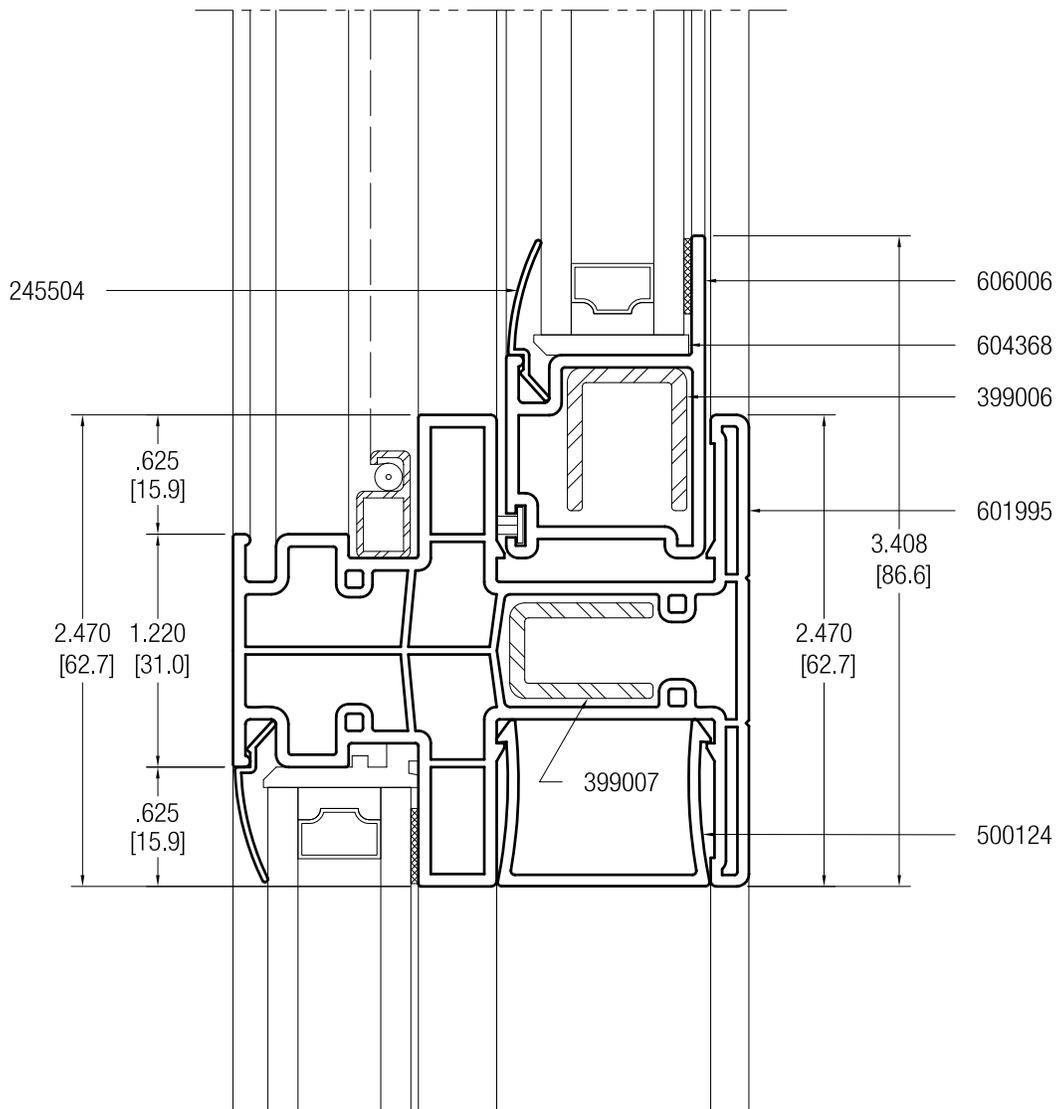
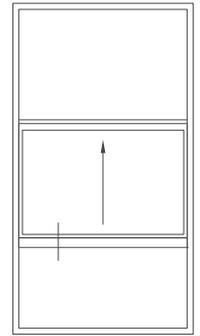
Twin Single-Hung Window - T-Mullion, 601995



REHAU WINDOW SYSTEM 190

DETAIL DRAWINGS

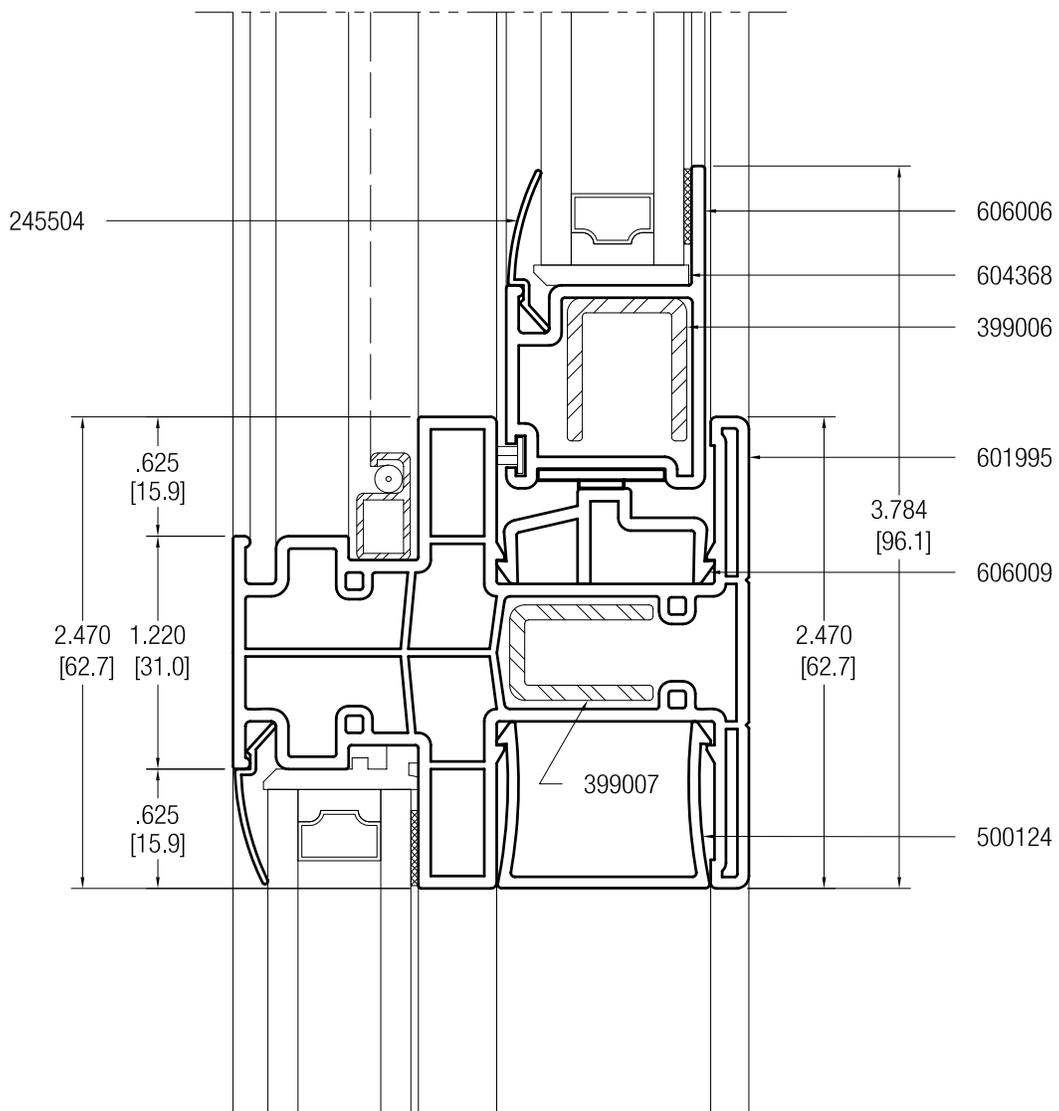
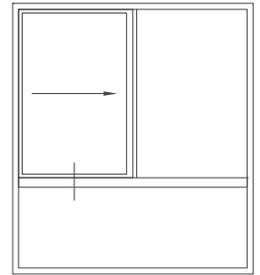
Single-Hung over Fixed Window - T-Mullion, 601995



REHAU WINDOW SYSTEM 190

DETAIL DRAWINGS

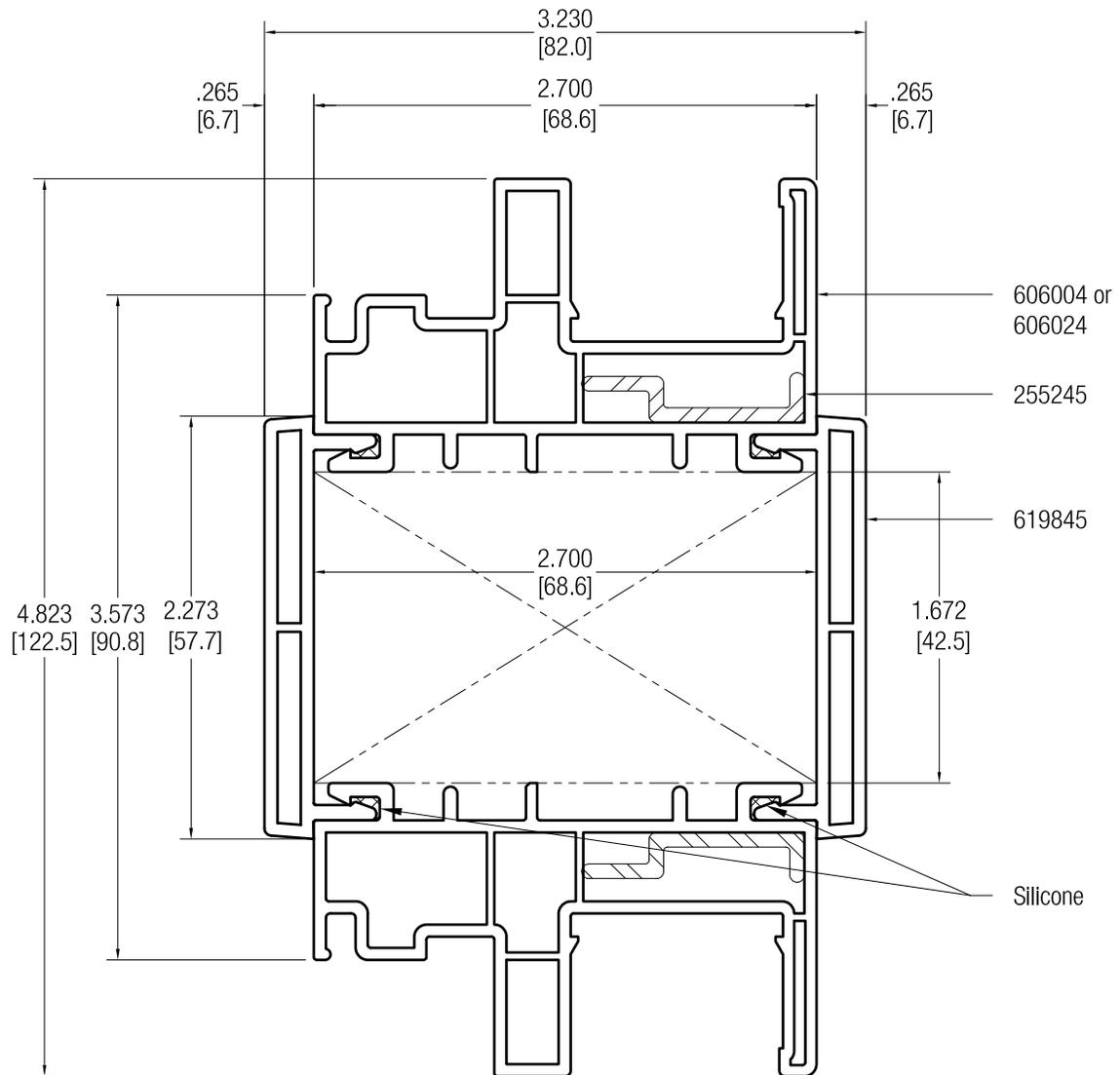
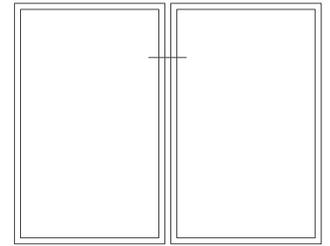
Single-Slider over Fixed Window - T-Mullion, 601995



REHAU WINDOW SYSTEM 190

DETAIL DRAWINGS

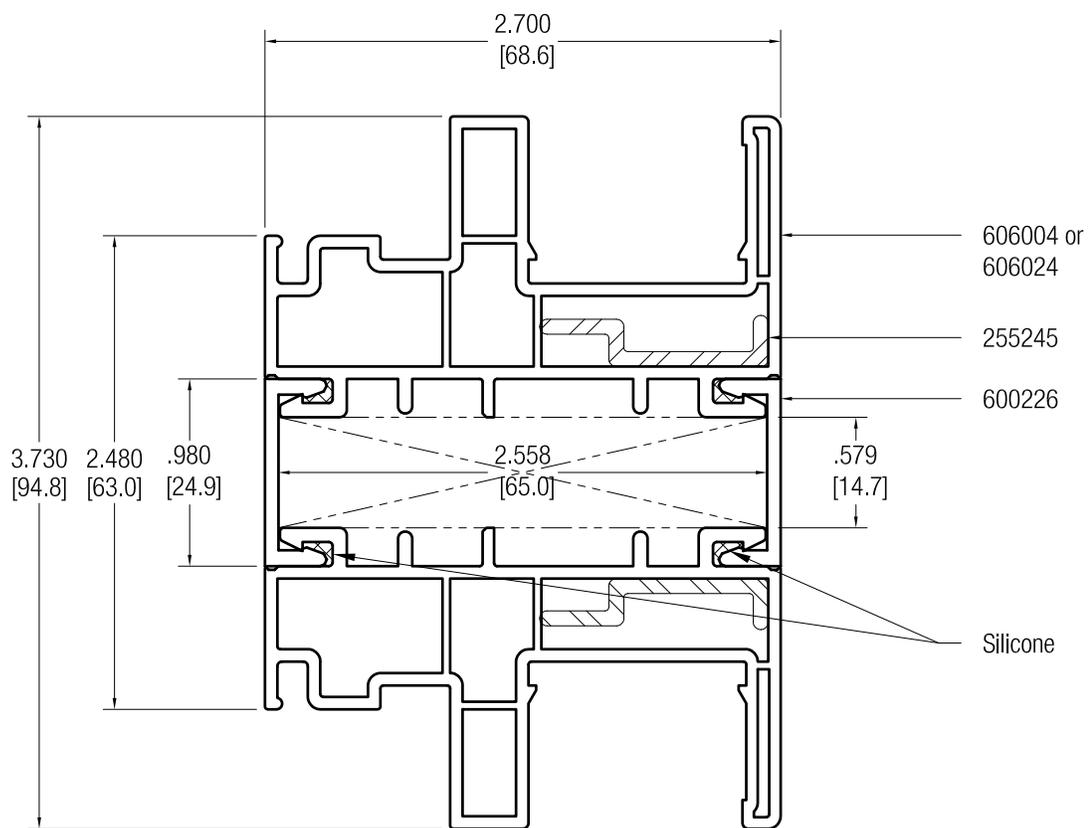
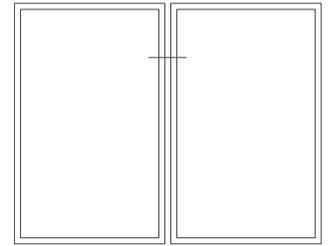
Chambered Mullion Cover Application, 619845



REHAU WINDOW SYSTEM 190

DETAIL DRAWINGS

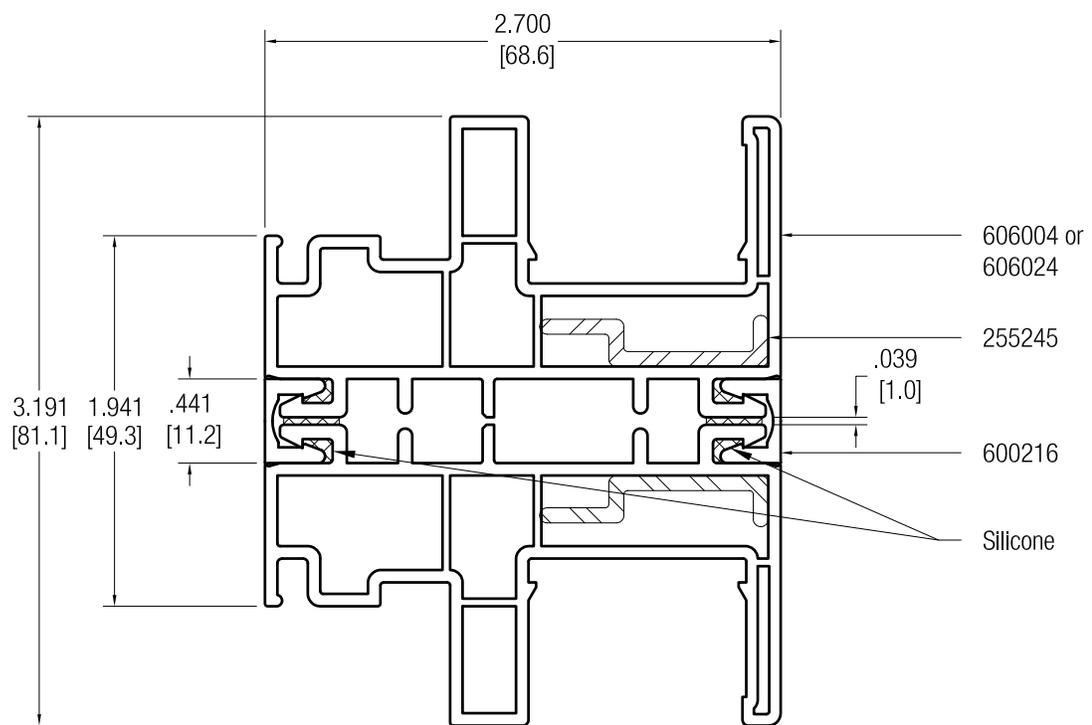
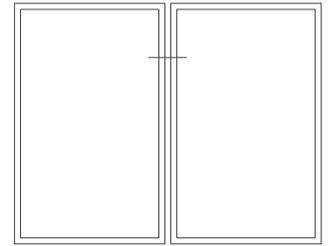
Wide Frame Connector Application, 600226



REHAU WINDOW SYSTEM 190

DETAIL DRAWINGS

Flush Frame Connector Application, 600216



The information contained herein is believed to be reliable, but no representations, guarantees or warranties of any kind are made as to its accuracy, suitability for particular applications or the results to be obtained therefrom. Before using, the user will determine suitability of the information for user's intended use and shall assume all risk and liability in connection therewith.

© 2017 REHAU