

# ÄSPEKT<sup>®</sup>

TECHNICAL INFORMATION

DETAIL DRAWINGS



# ÄSPEKT®

## DETAIL DRAWINGS

### Table of contents

#### Fixed Window

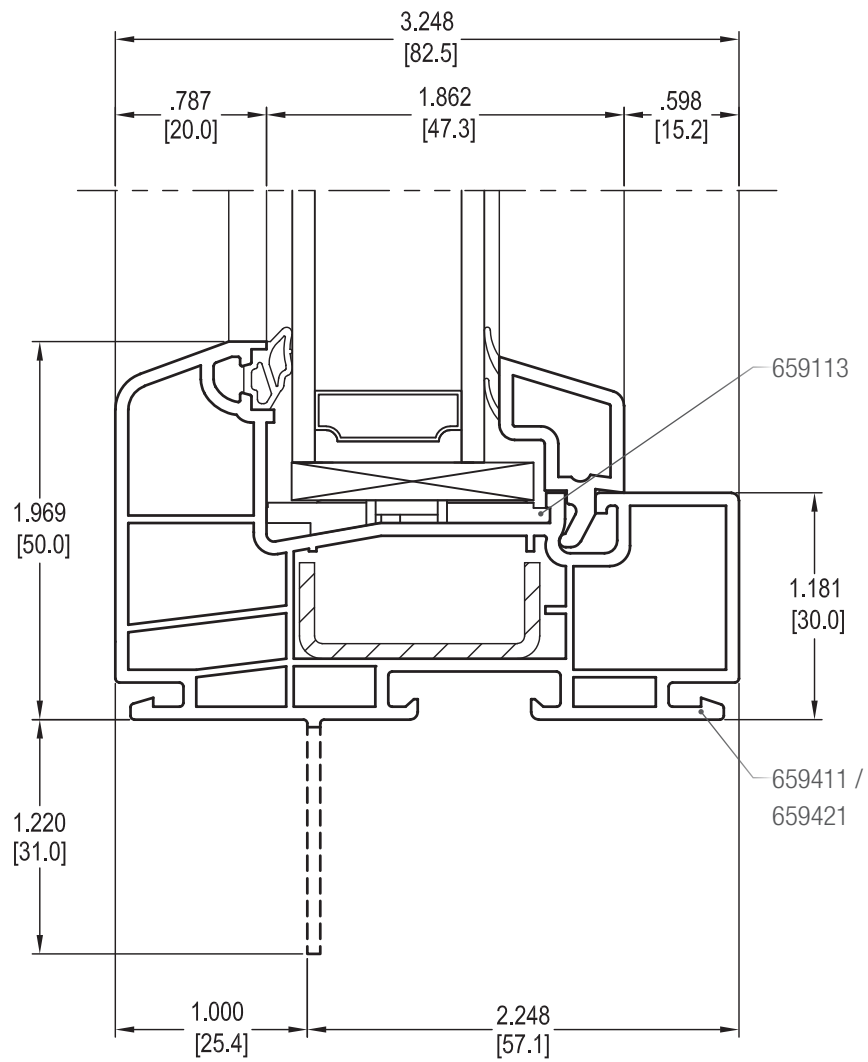
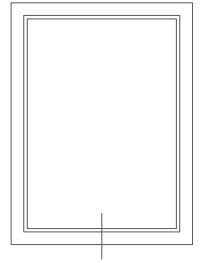
3 1/4 in Small Picture . . . . .	2
3 3/8 in Small Picture Frame . . . . .	3
3 1/2 in Frame with Direct Set glazing . . . . .	4
3 1/4 in Frame with Direct Set glazing . . . . .	5
3 1/2 in Frame with Sash Set glazing . . . . .	6
3 1/4 in Frame with Sash Set glazing . . . . .	7
3 3/8 in Frame with Sash Set glazing . . . . .	8

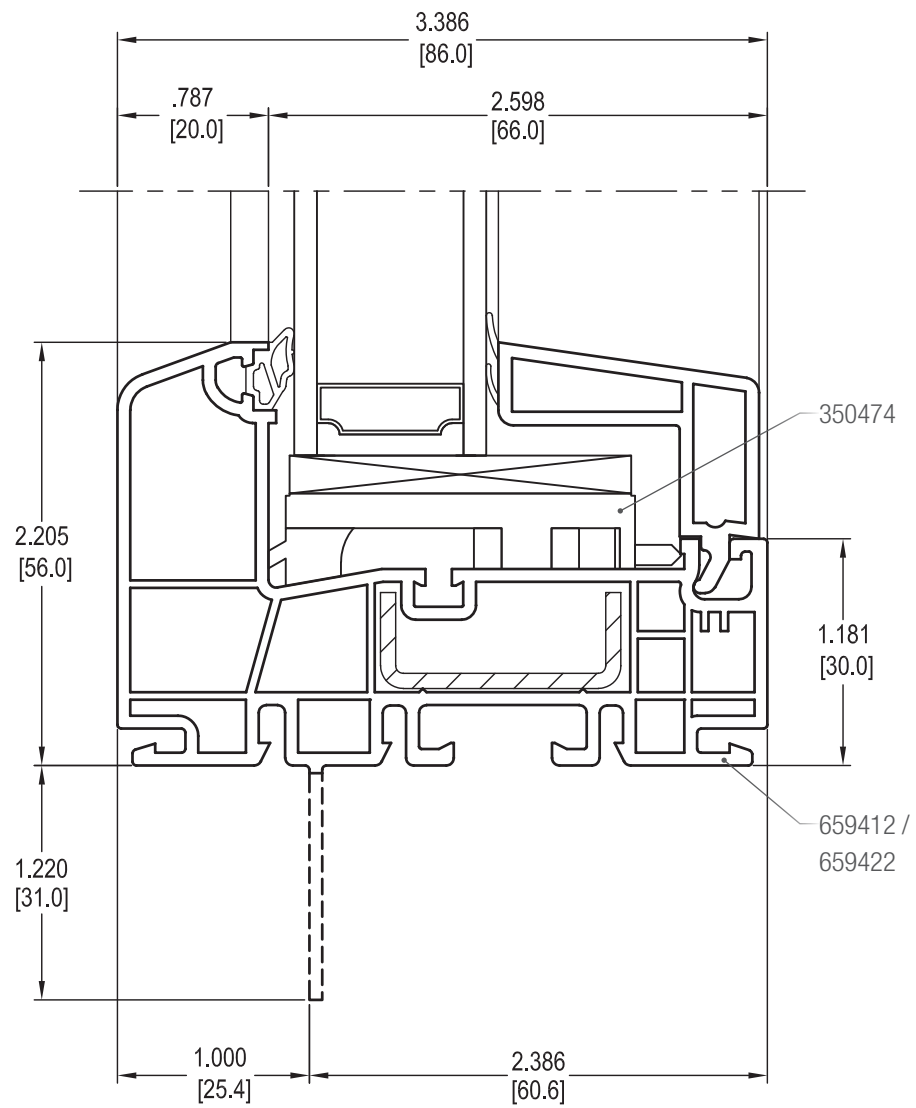
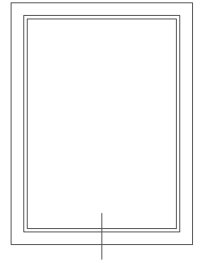
#### Awning / Casement Window

3 1/2 in Frame with Sash . . . . .	9
3 1/4 in Frame with Sash . . . . .	10
3 3/8 in Frame with Sash . . . . .	11
Standard T-Mullion with Direct Set glazing . . . . .	12
Standard T-Mullion with Sash Set glazing . . . . .	13
Static T-Mullion with Direct Set glazing . . . . .	14
Static T-Mullion with Sash Set glazing . . . . .	15

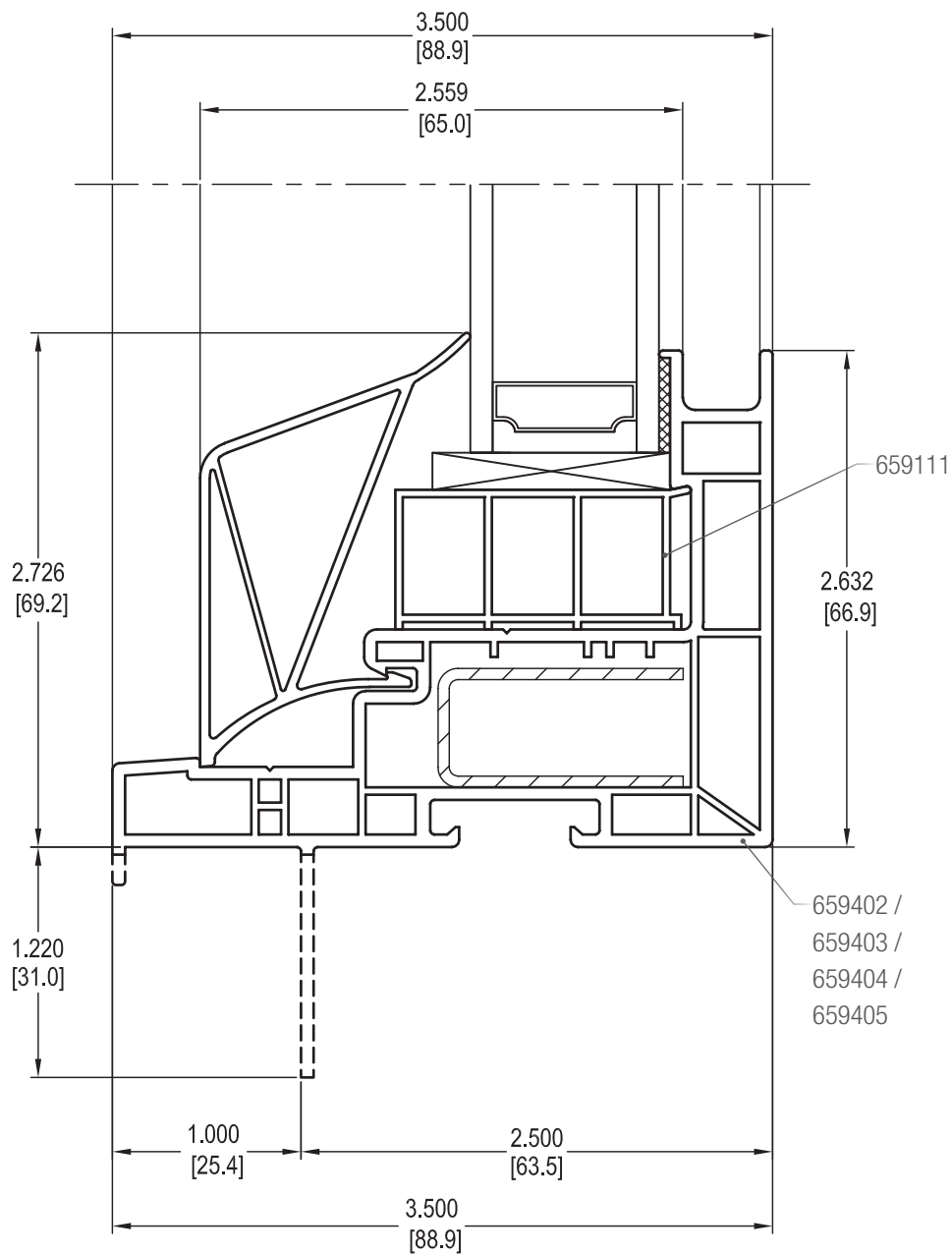
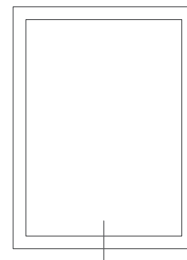
#### Double Fixed Window

Standard T-Mullion with Direct Set glazing . . . . .	16
Standard T-Mullion with Sash Set glazing . . . . .	17
Static T-Mullion with Direct Set glazing . . . . .	18
Static T-Mullion with Sash Set glazing . . . . .	19

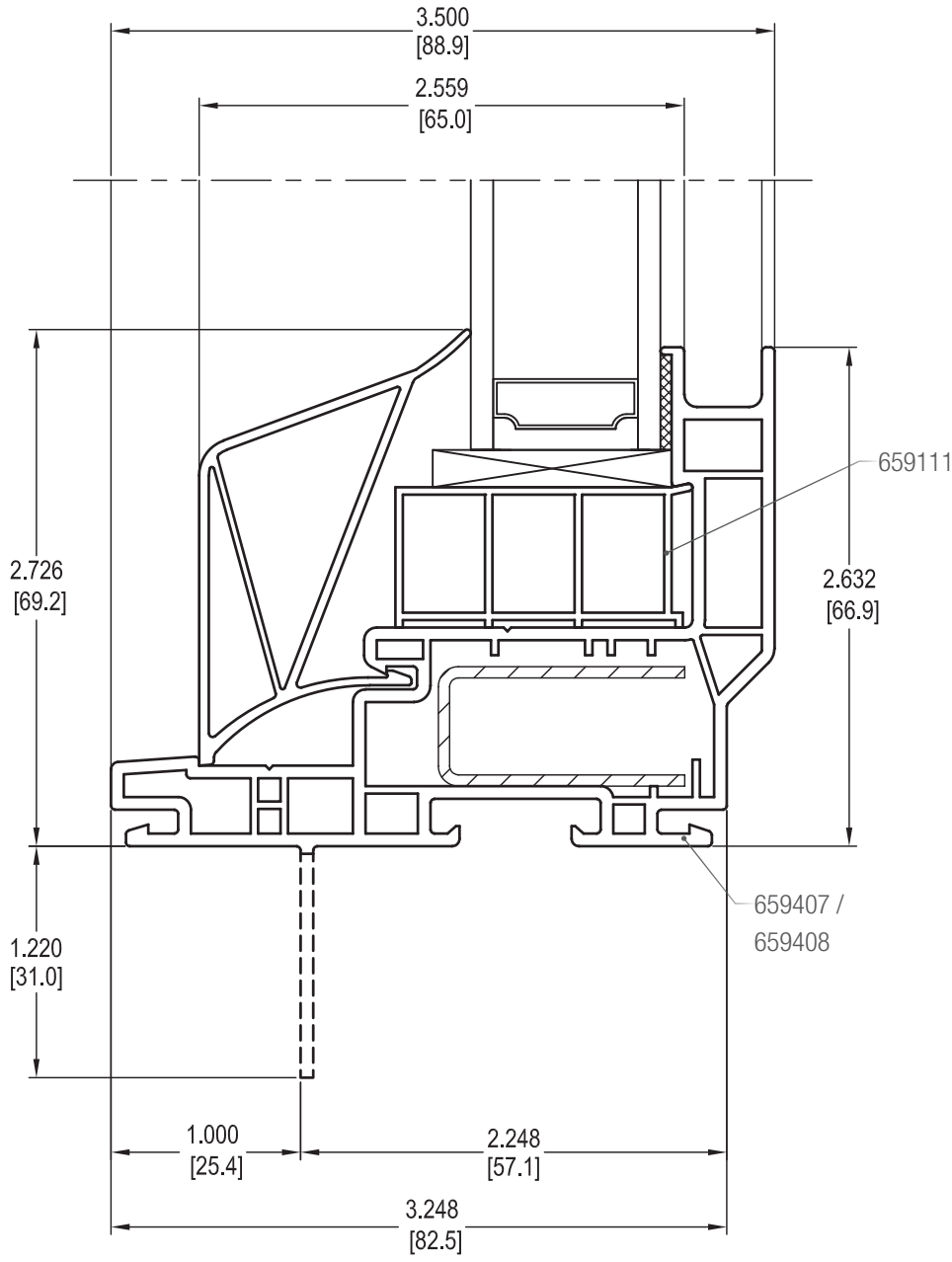
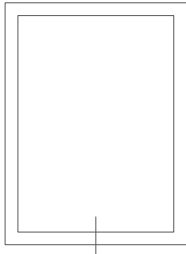




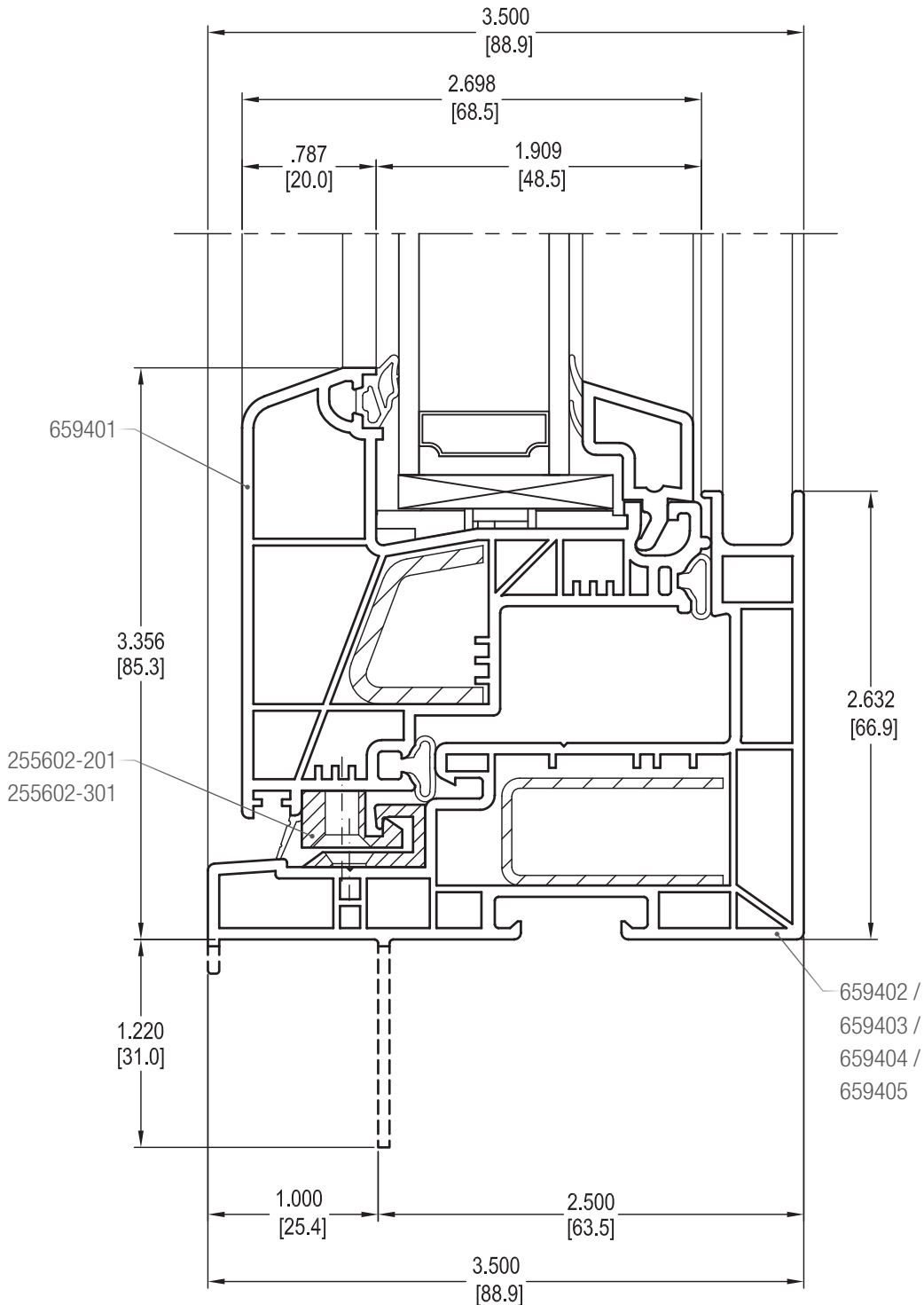
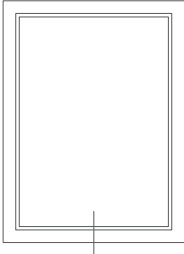
### Fixed window - 3 1/2 in Frame with Direct Set glazing



Fixed window - 3 1/4 in Frame with Direct Set glazing

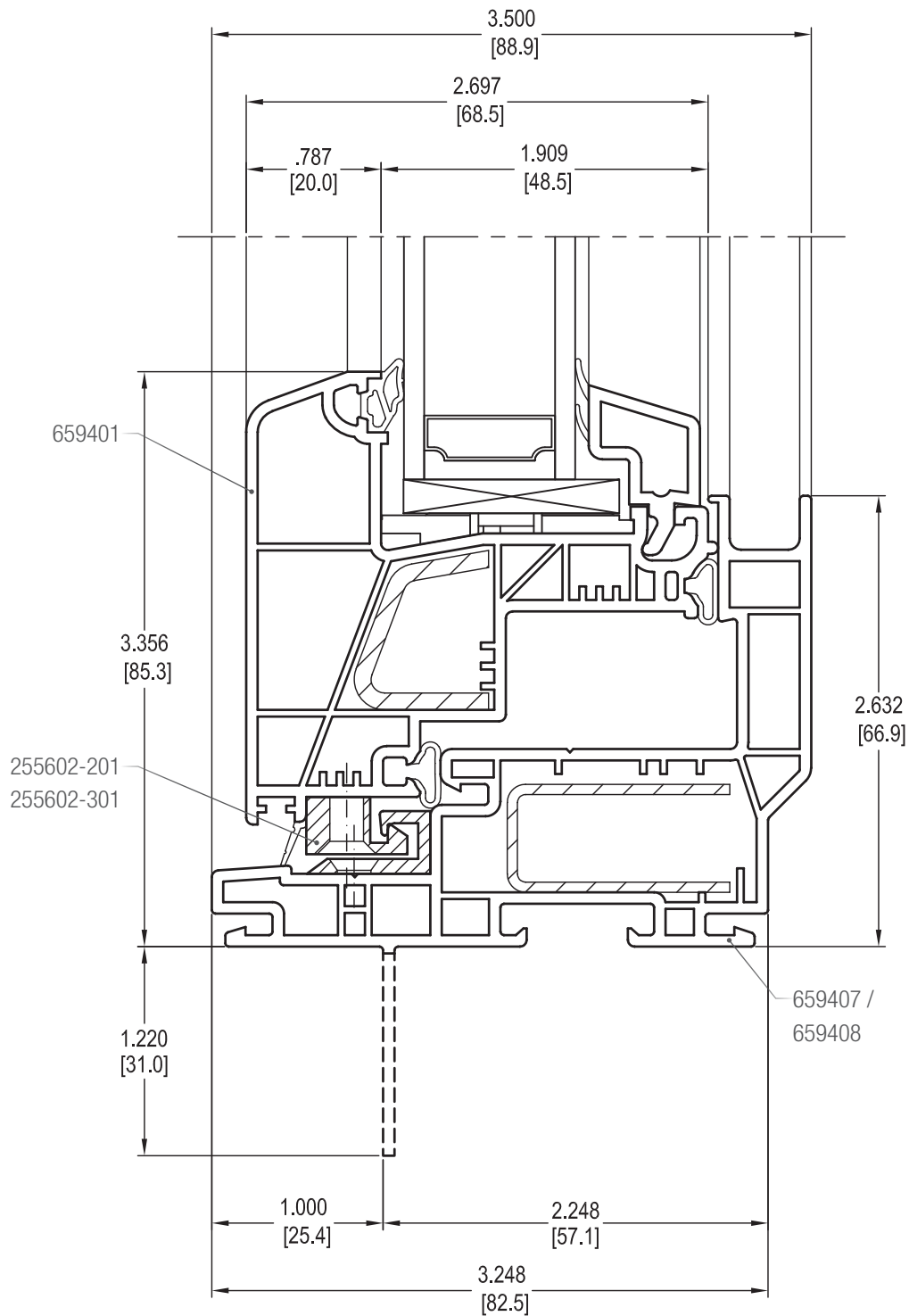
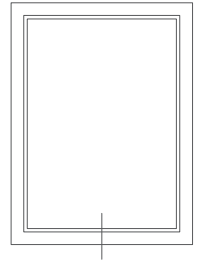


Fixed window - 3 1/2 in Frame with Sash Set glazing

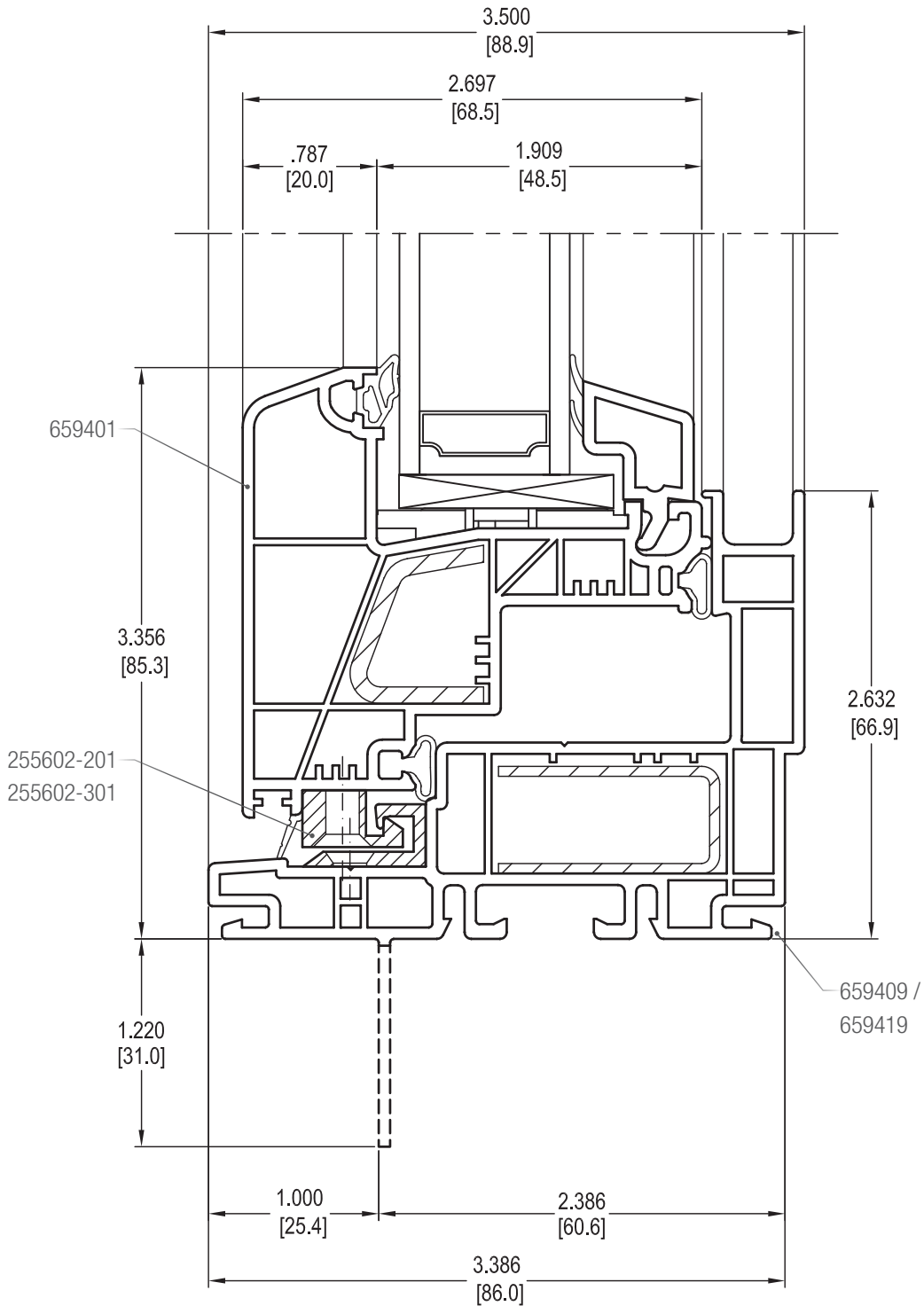
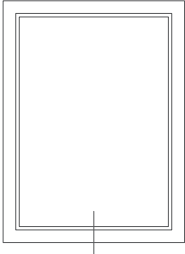




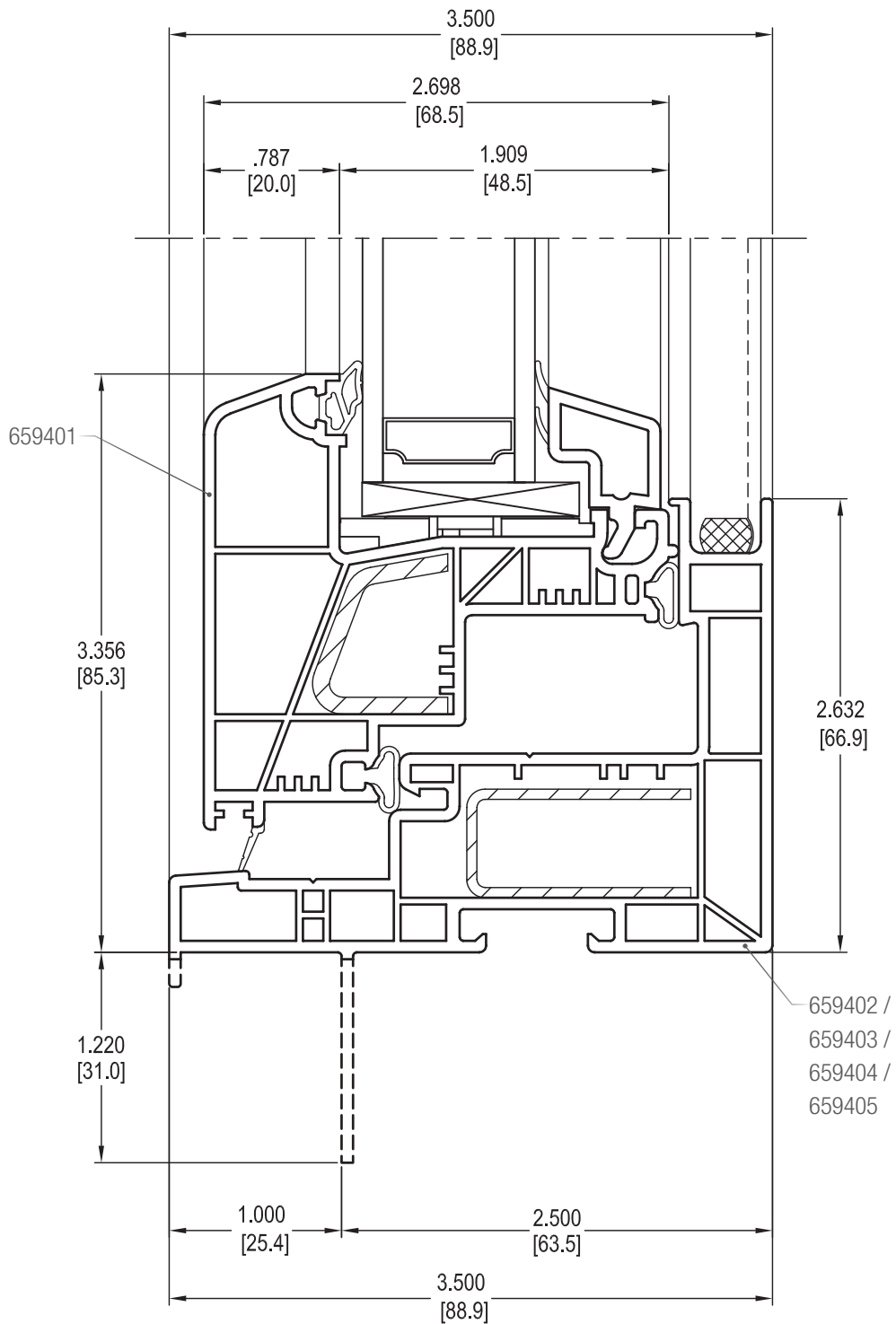
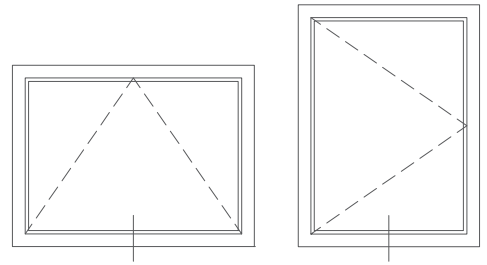
### Fixed window - 3 1/4 in Frame with Sash Set glazing



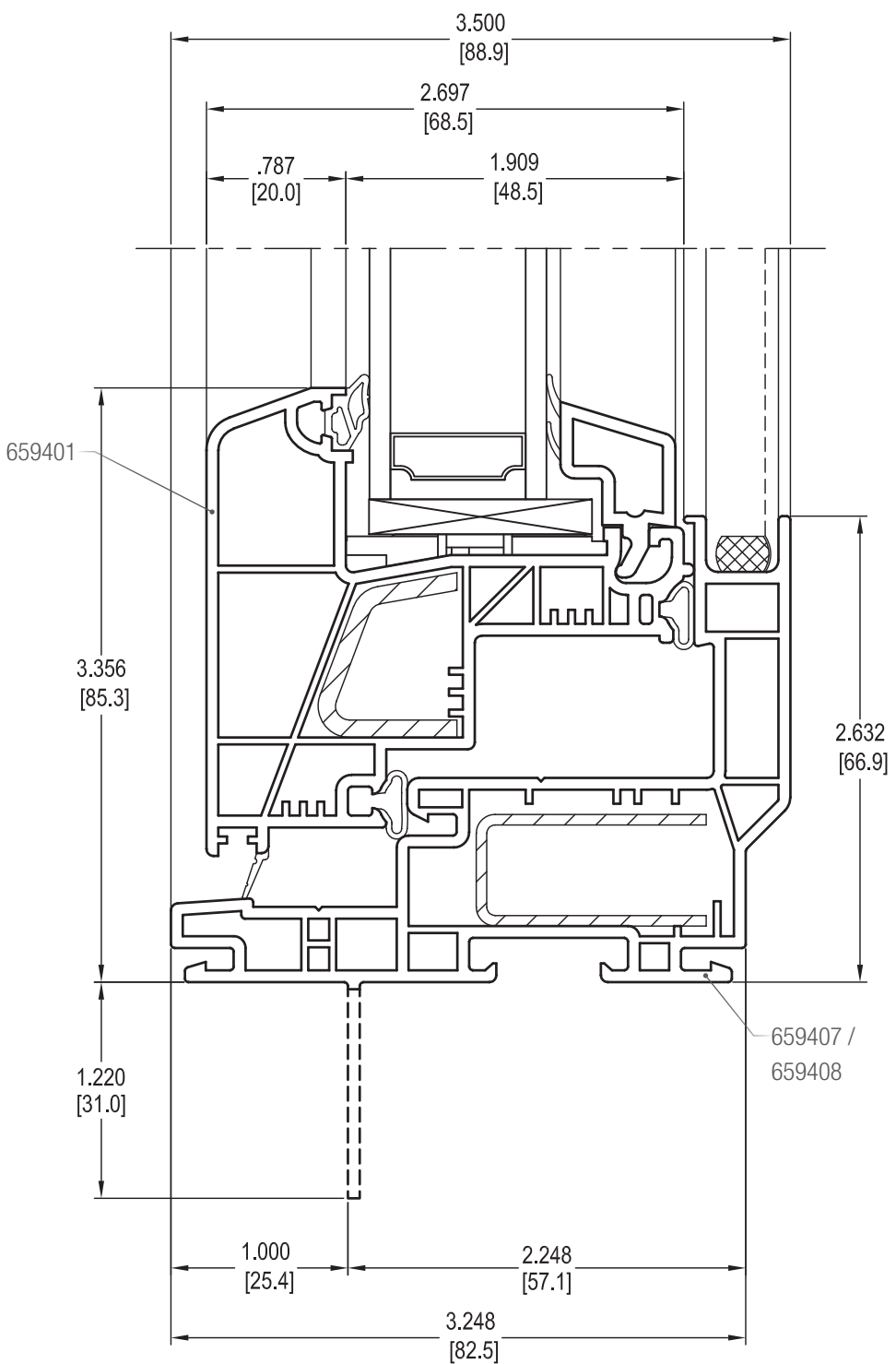
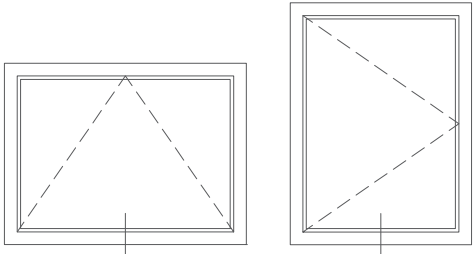
Fixed window - 3 3/8 in Frame with Sash Set glazing



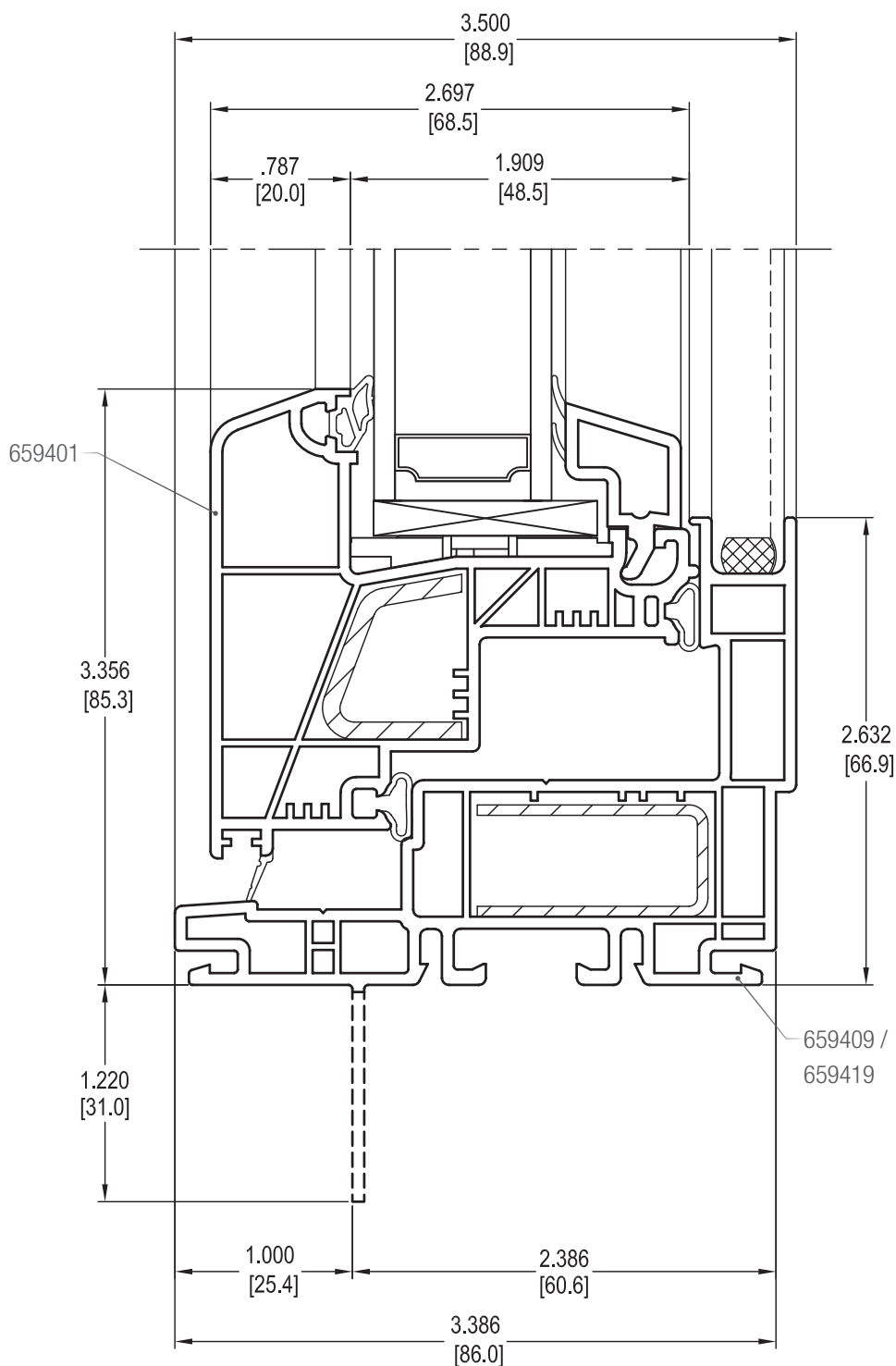
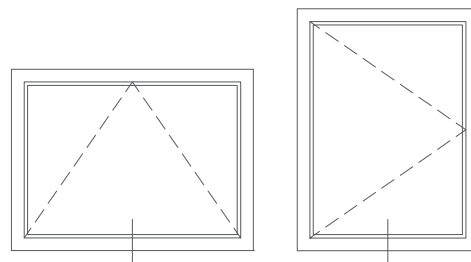
### Awning / Casement window - 3 1/2 in Frame with Sash



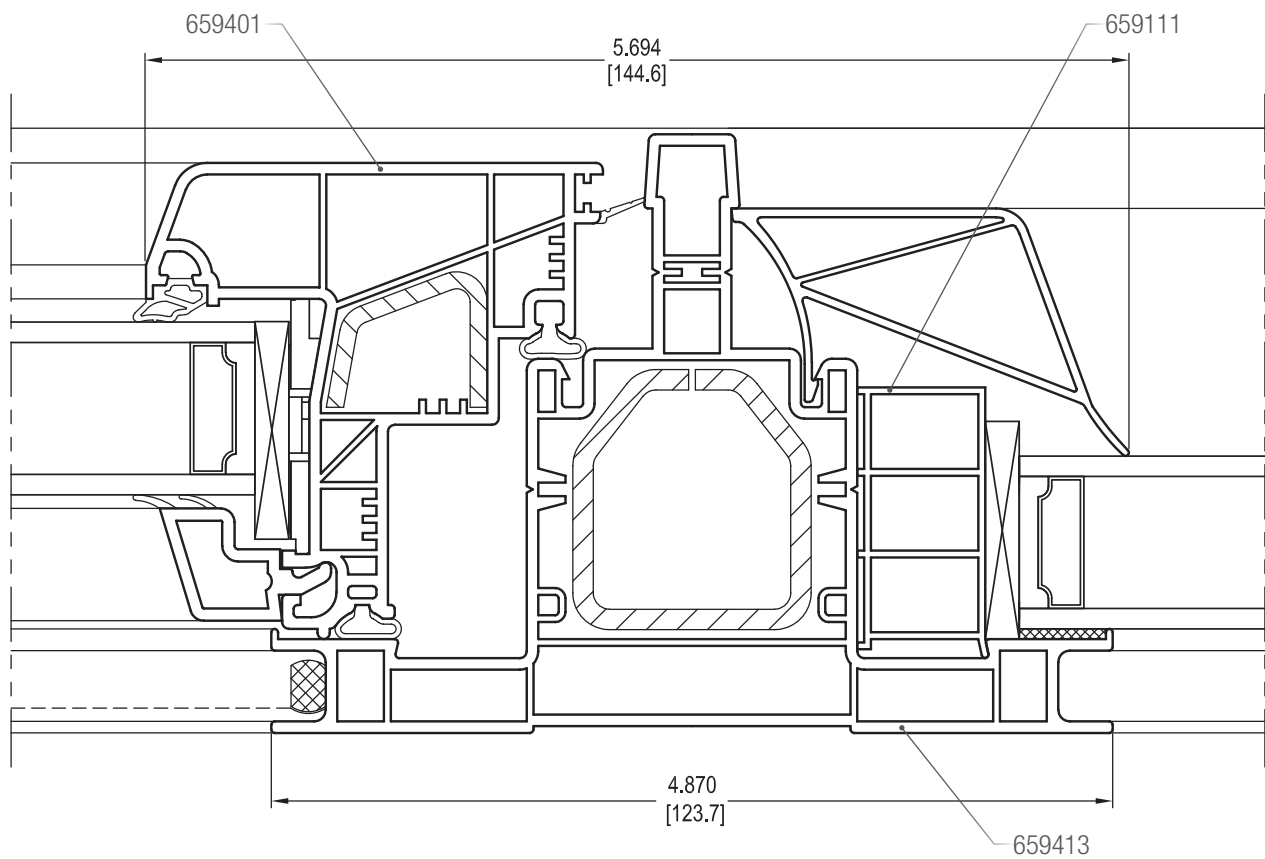
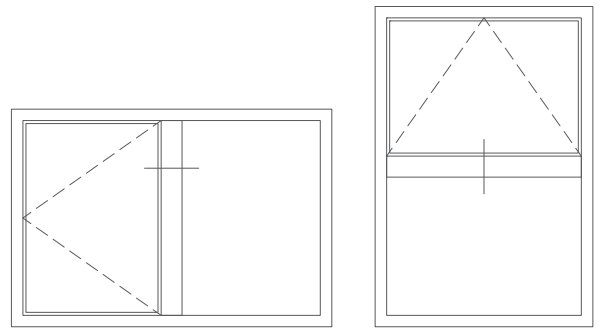
Awning / Casement window - 3 1/4 in Frame with Sash



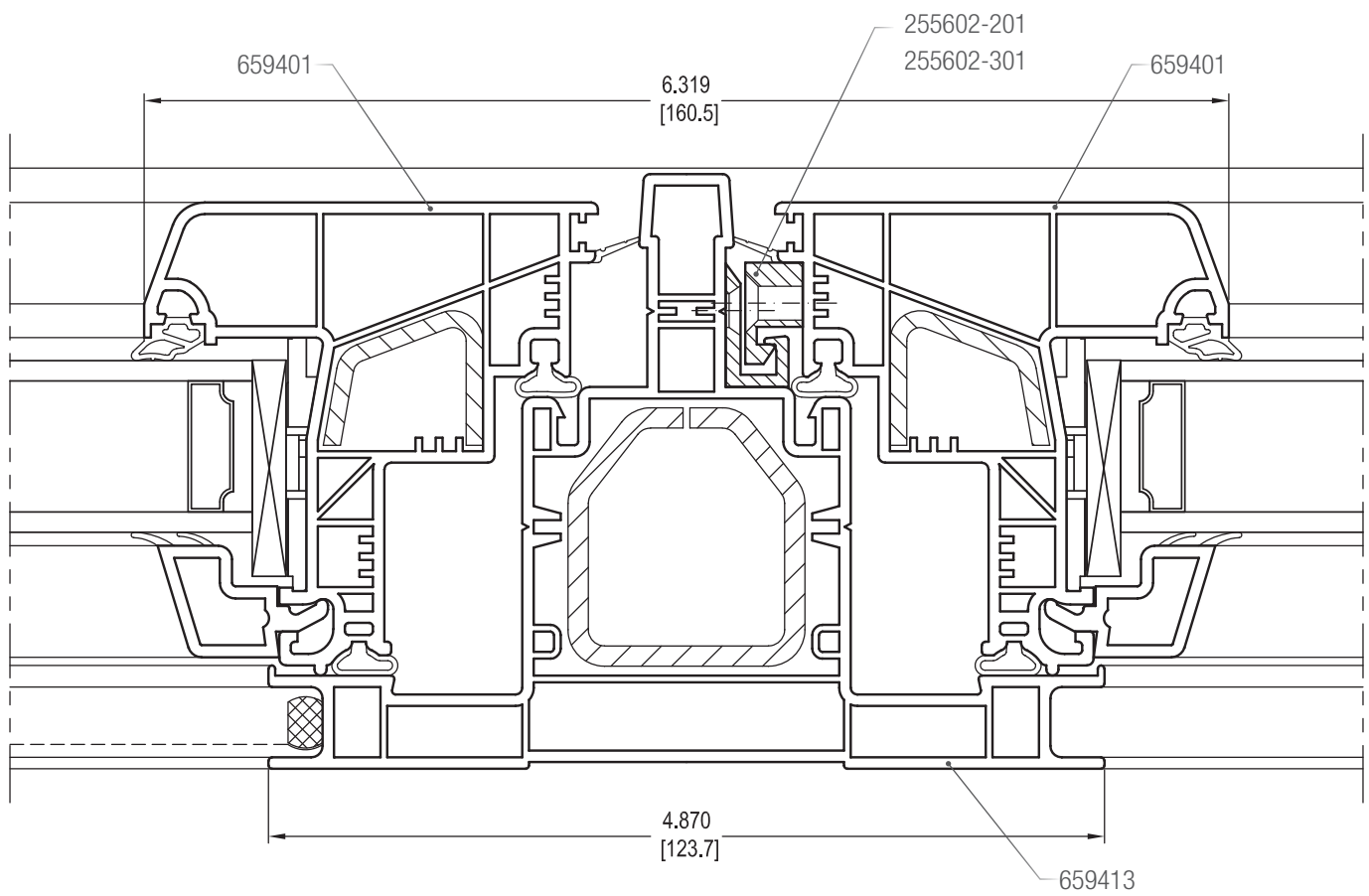
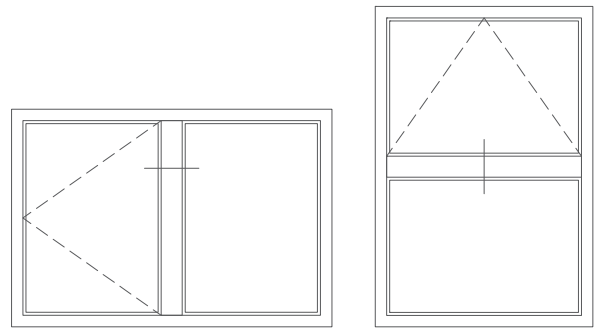
### Awning / Casement window - 3 3/8 in Frame with Sash



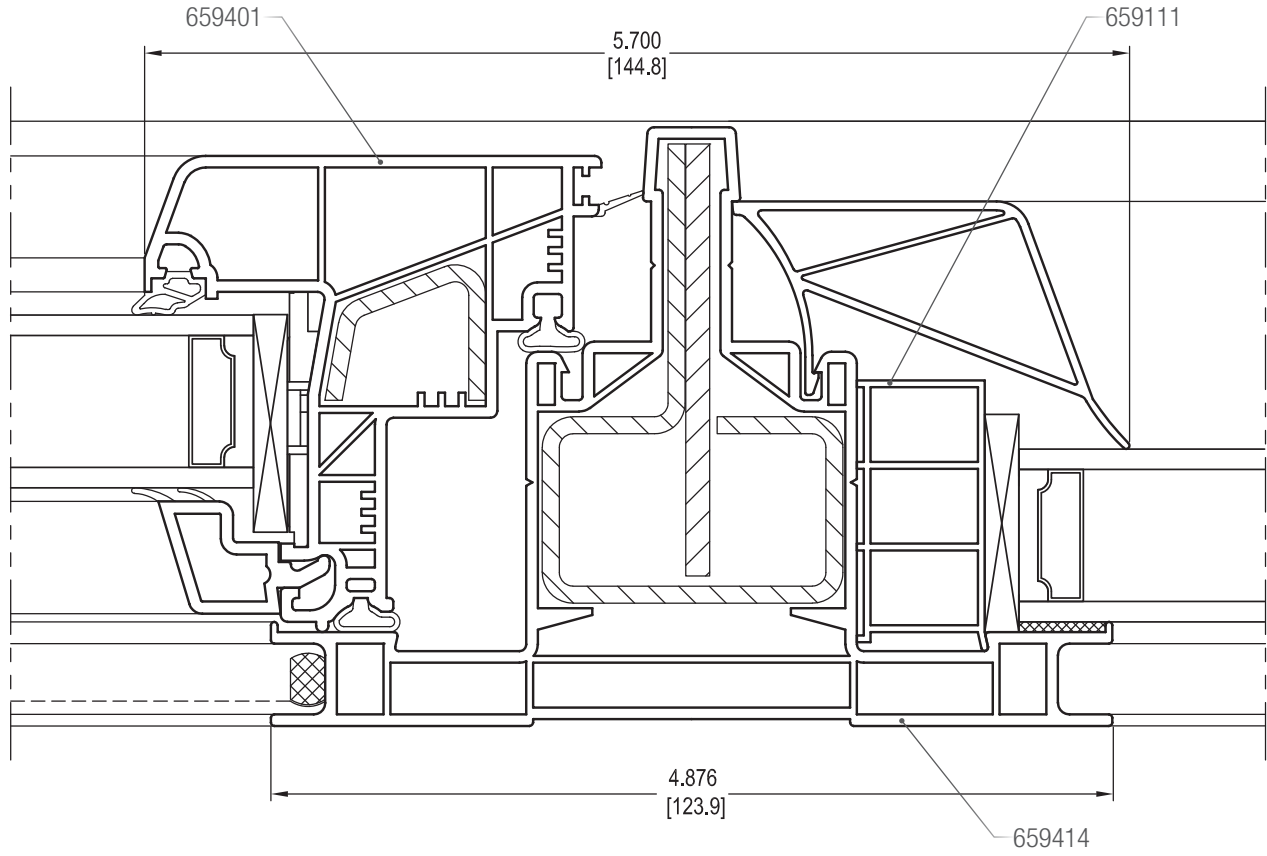
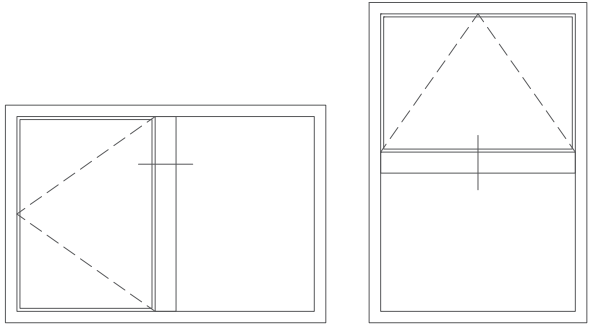
Casement mullioned Fixed window - Standard T-Mullion with Direct Set glazing  
Awning over Fixed window - Standard T-Mullion with Direct Set glazing



Casement mullied Fixed window - Standard T-Mullion with Sash Set glazing  
Awning over Fixed window - Standart T-Mullion with Sash Set glazing

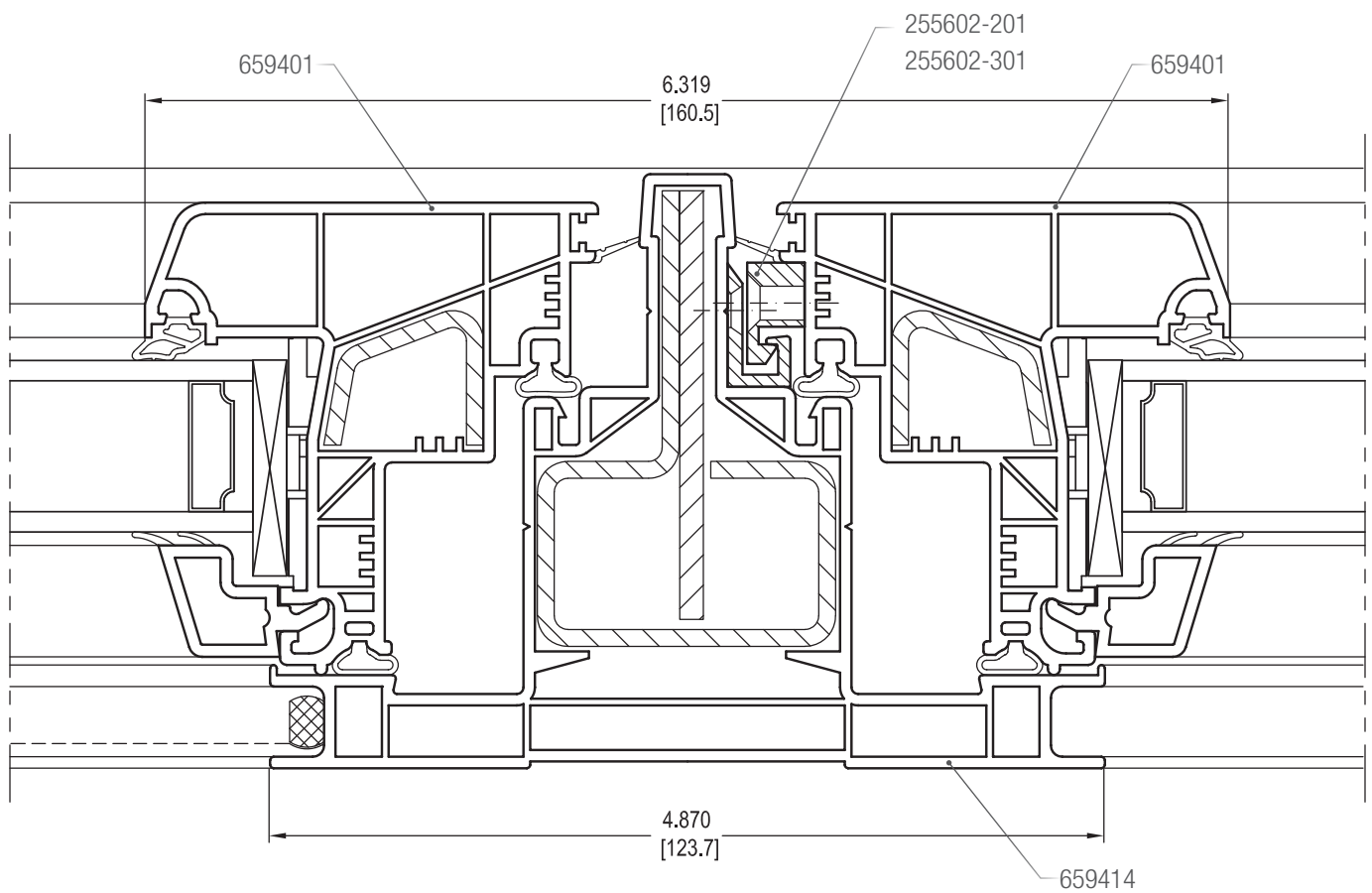
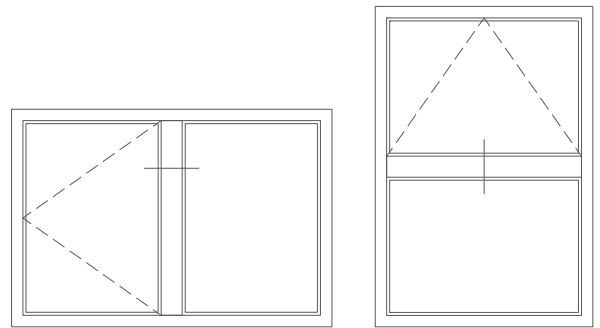


Casement mullioned Fixed window - Static T-Mullion with Direct Set glazing  
Awning over Fixed window - Static T-Mullion with Direct Set glazing

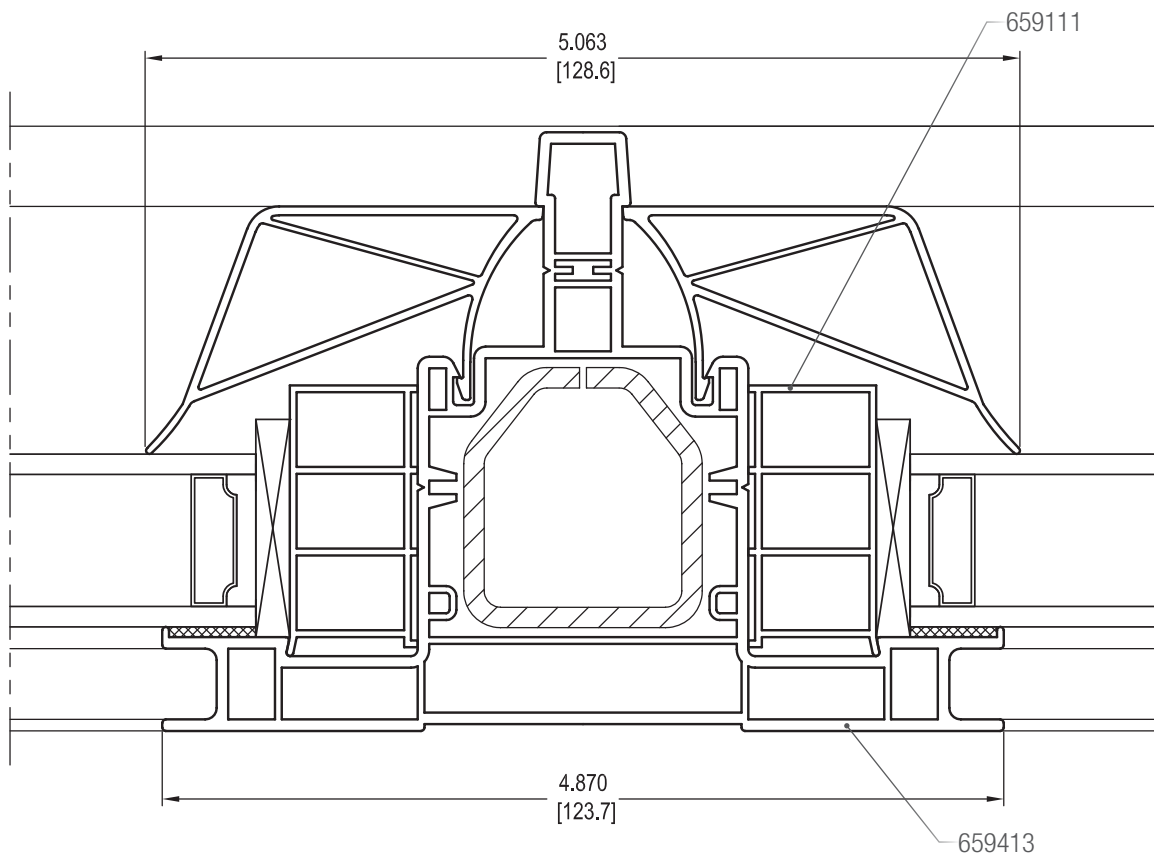
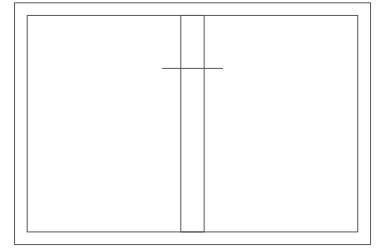




Casement mullioned Fixed window - Static T-Mullion with Sash Set glazing  
Awning over Fixed window - Static T-Mullion with Sash Set glazing



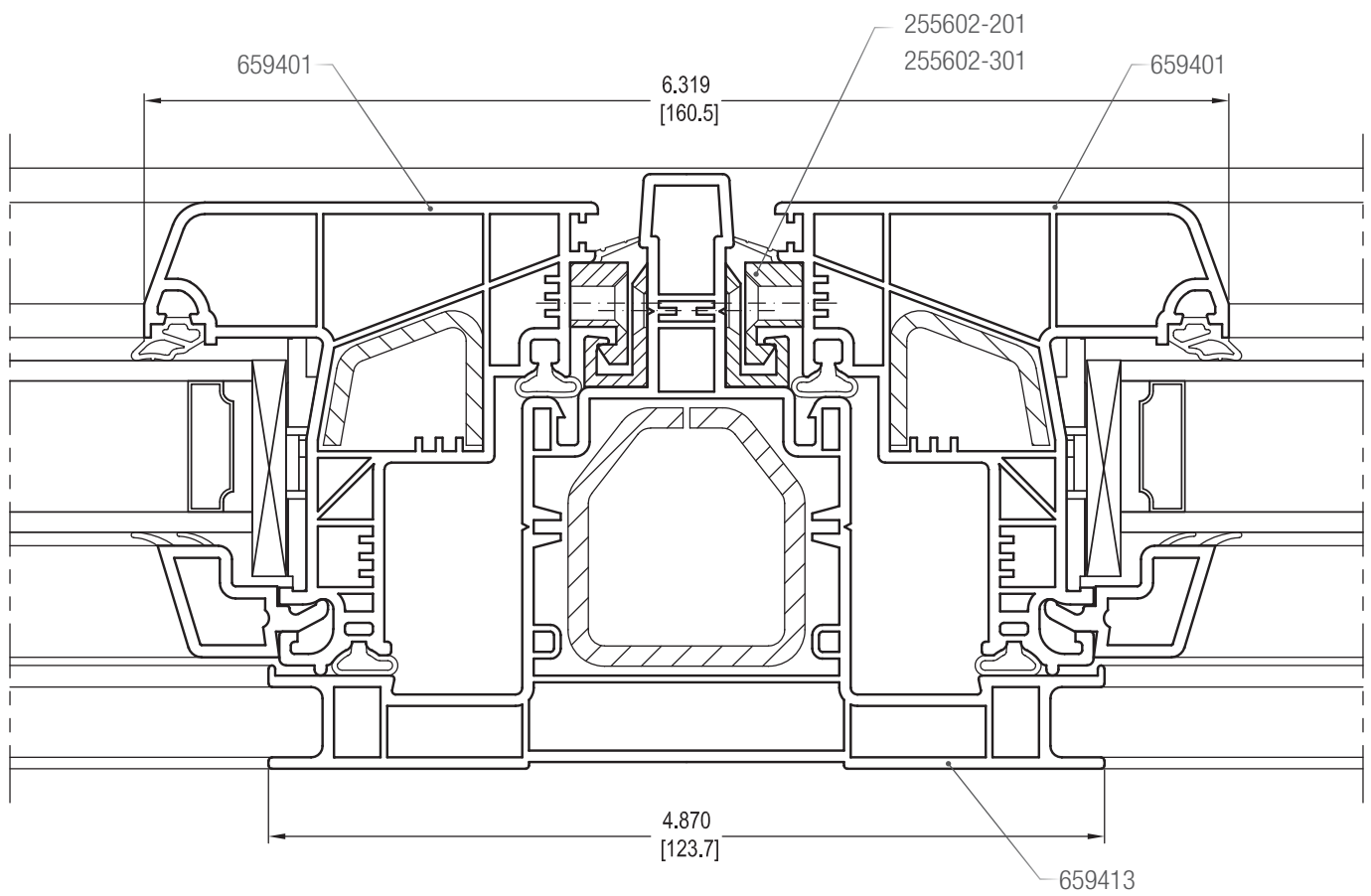
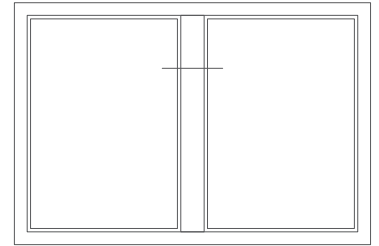
Double Fixed window - Standard T-Mullion with Direct Set glazing



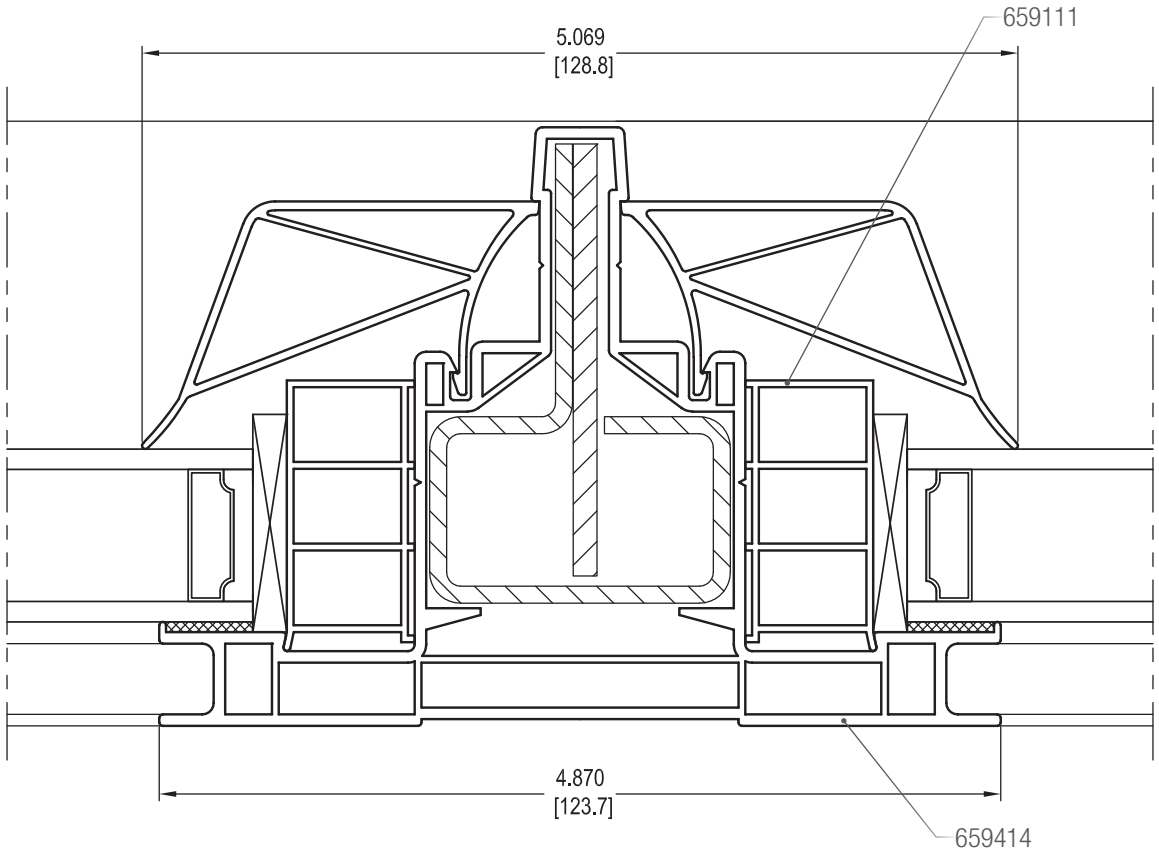
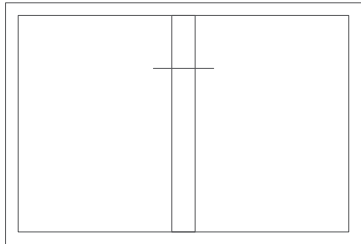
# ÄSPEKT®

## DETAIL DRAWINGS

Double Fixed window - Standard T-Mullion with Sash Set glazing



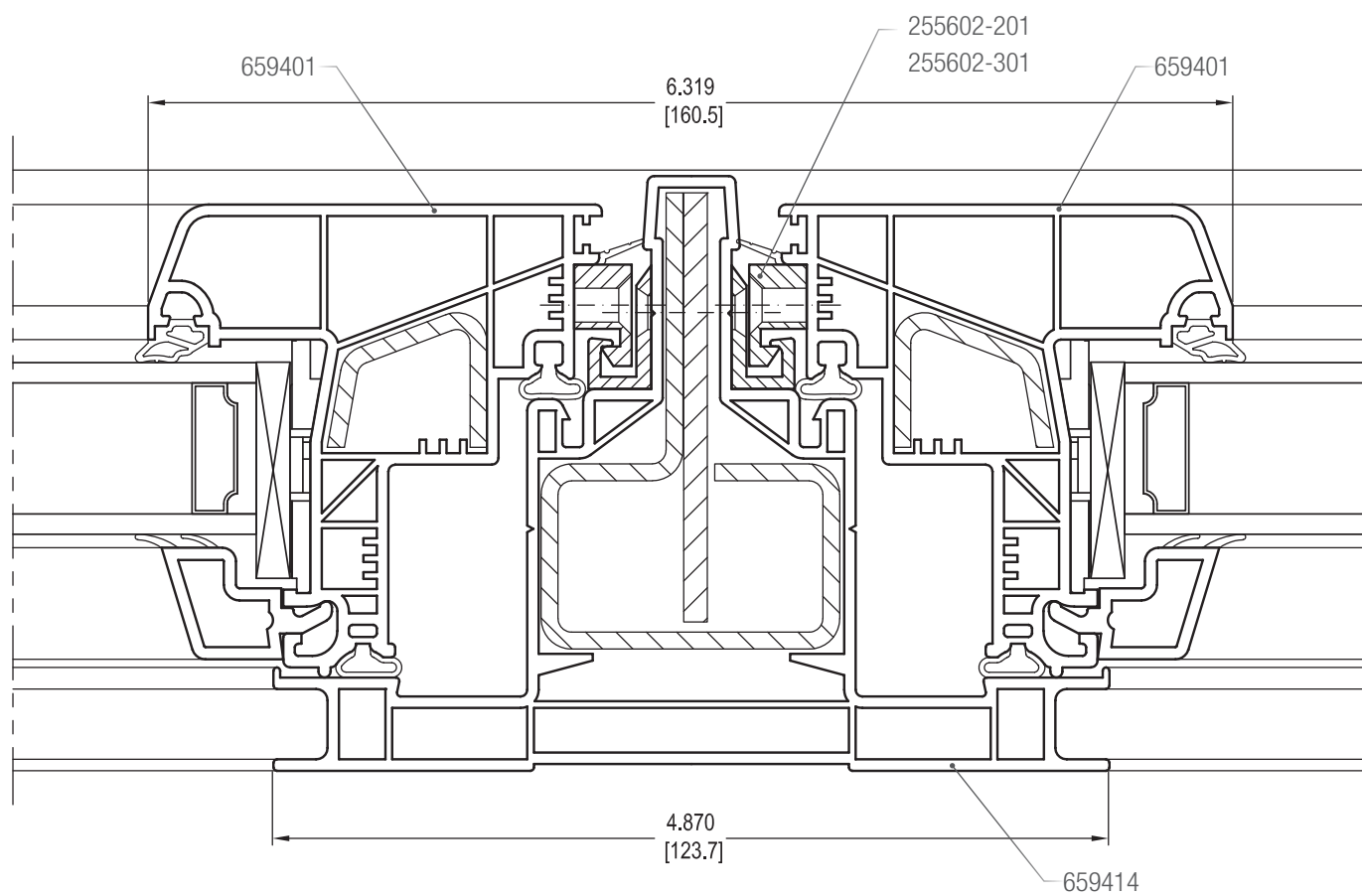
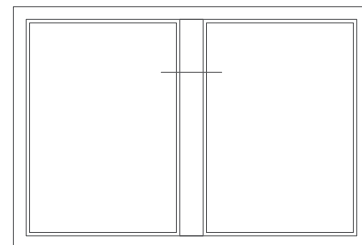
Double Fixed window - Static T-Mullion with Direct Set glazing



# ÄSPEKT®

## DETAIL DRAWINGS

Double Fixed window - Static T-Mullion with Sash Set glazing



---

The information contained herein is believed to be reliable, but no representations, guarantees or warranties of any kind are made as to its accuracy, suitability for particular applications or the results to be obtained therefrom. Before using, the user will determine suitability of the information for user's intended use and shall assume all risk and liability in connection therewith.

© 2018 REHAU