









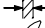
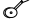


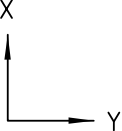












GENEO[®]
TECHNICAL INFORMATION
PROFILE PRINT

GENEO®

PROFILE PRINT

Legend

	Color: Black	
	Color: Grey	
	Color: Clay	
	Color: Beige	
	Color: White	
	Steel Galvanized	
	Aluminum Anodized	
	Random Color	
	Foiled	
	Packing unit (for details, see article table)	
	Wall thickness in / mm	
	Manually installed seal	
	Right-hand format	
	Left-hand format	
*	Non-standard, delivery time on request	
I _x	Moment of inertia in X direction in cm ⁴	
I _y	Moment of inertia in Y direction in cm ⁴	
	Affix with PVC adhesive, white profiles with adhesive 1251660/1251670, laminated profiles with solvent-free adhesive (e.g. Cosmofen 515, Weiss).	
	Seal with silicone	
	Seal with EPDM sealant	
	Affix with EPDM adhesive	
	Panhead sheet-metal screw ISO 7049	
	Countersunk sheet-metal screw ISO 7050	
	Countersunk tapping screw ISO 15482	
	Panhead tapping screw ISO 15481	
	Drilling and cutting jigs	
	Milling drawing	

GENEO®

PROFILE PRINT

Table of Contents

Legend II

Frame 2

T-mullion 3

Sash 5

Dummy Mullion 8

Mechanical Connectors 9

Threshold and Supplementary Profiles 11

Brush Seal 15

Glazing Spline and Seals 16

Thermo Module (TM) 17

Drill and Cutting jigs 18

Tooling Accessories 19

Reinforcements 20

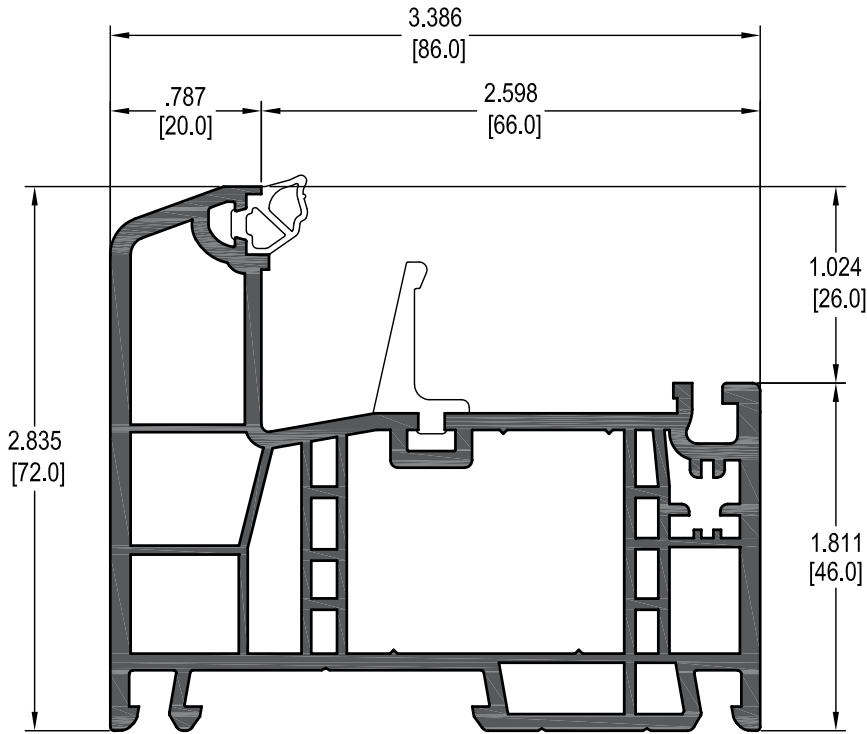
Article List 22

Tableau Standard Colors a

GENEO®

PROFILE PRINT

Frame



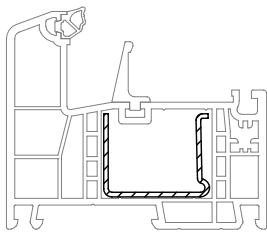
Frame 72

RAU-FIPRO

532015

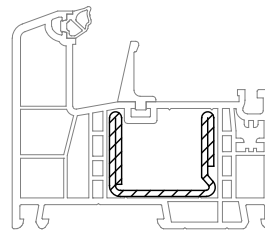
	PACK

lx	0.053 in ⁴ (2.2 cm ⁴)
ly	0.022 in ⁴ (0.9 cm ⁴)



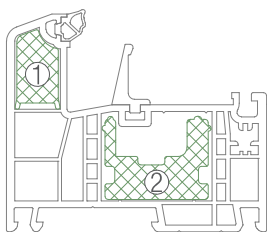
35 mm x 28 mm

	244506
	0.059 in (1.5 mm)
lx	0.0596 in ⁴ (2.48 cm ⁴)
ly	0.0264 in ⁴ (1.10 cm ⁴)
	PACK



35 mm x 28 mm

	244536
	0.079 in (2.0 mm)
lx	0.1192 in ⁴ (4.96 cm ⁴)
ly	0.0476 in ⁴ (1.98 cm ⁴)
	PACK



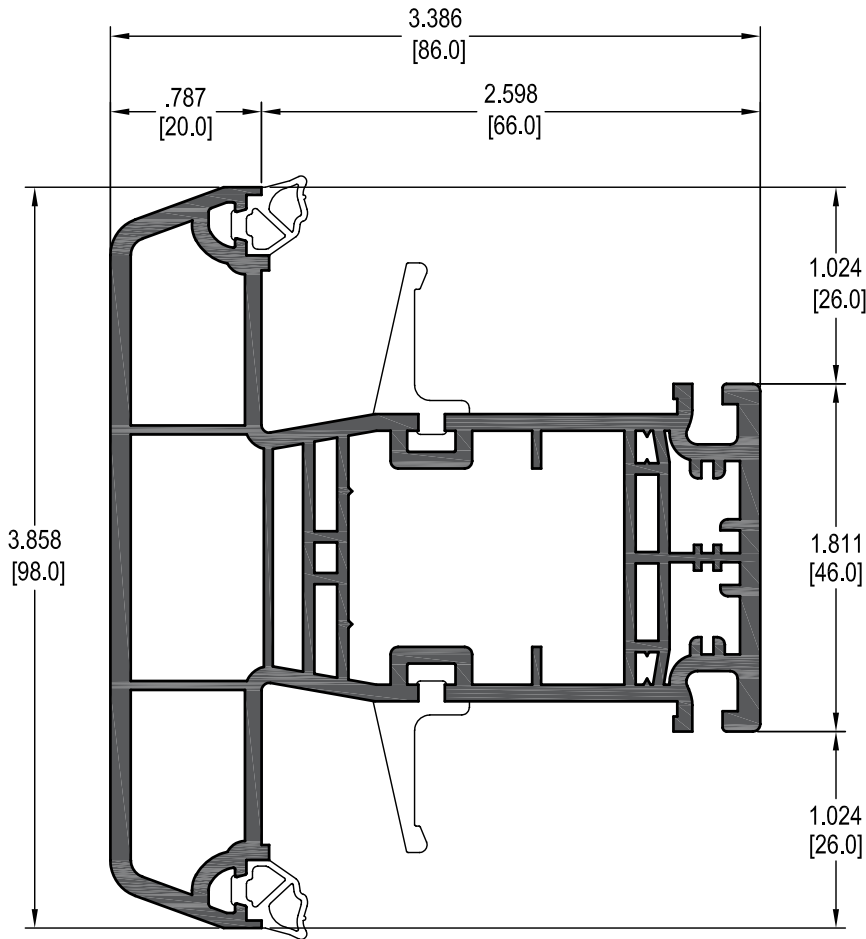
Thermo Module

①	TM Frame / T-mullion
	353337
	PACK
②	TM 35 x 28
	260013
	PACK

GENEO®

PROFILE PRINT

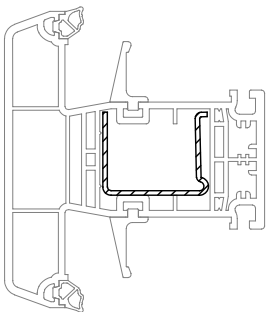
T-mullion



T-mullion 98
 RAU-FIPRO
532055 WHT

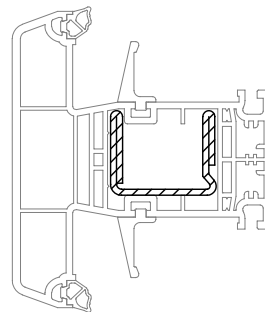
 PACK

lx	0.060 in ⁴ (2.5 cm ⁴)
ly	0.034 in ⁴ (1.4 cm ⁴)



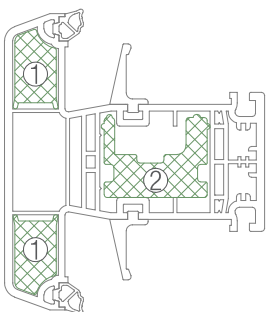
35 mm x 28 mm

	244506
	0.059 in (1.5 mm)
lx	0.0596 in ⁴ (2.48 cm ⁴)
ly	0.0264 in ⁴ (1.10 cm ⁴)
	PACK



35 mm x 28 mm

	244536
	0.079 in (2.0 mm)
lx	0.1192 in ⁴ (4.96 cm ⁴)
ly	0.0476 in ⁴ (1.98 cm ⁴)
	PACK



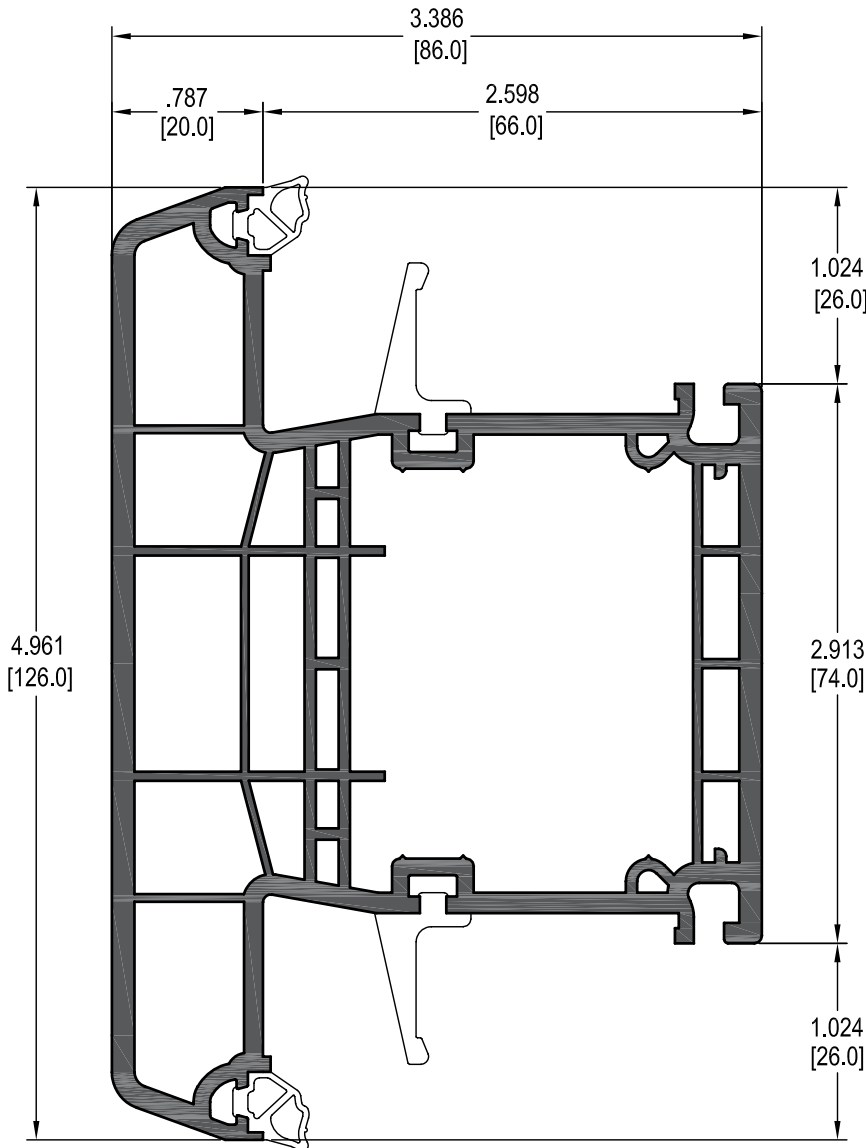
Thermo Module

①	TM Frame / T-Mullion
	353337
	PACK
②	TM 35 x 28
	260013
	PACK

GENEO®

PROFILE PRINT

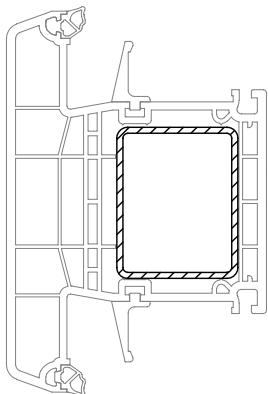
T-mullion



T-mullion 126

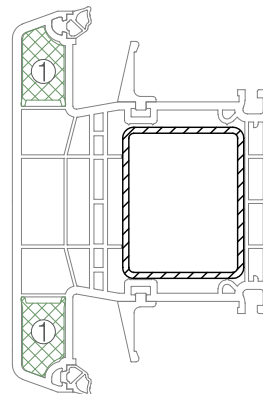
532345 WHT

...
 ...
 PACK



40 mm x 50 mm

	251886
	0.079 in (2.0 mm)
lx	0.2031 in ⁴ (8.45 cm ⁴)
ly	0.2872 in ⁴ (11.95 cm ⁴)
	PACK



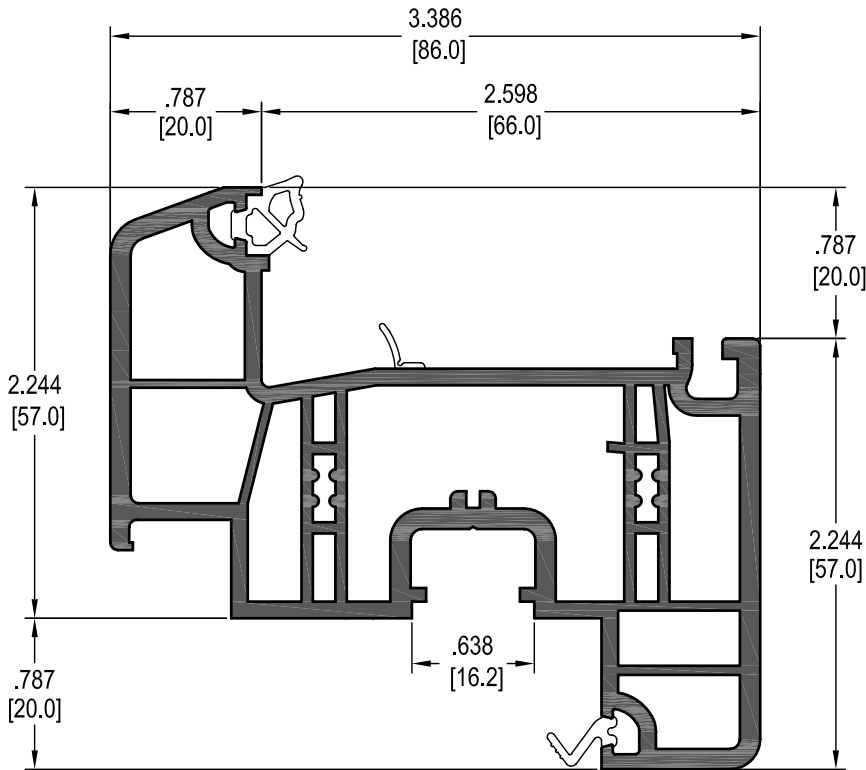
Thermo Module

①	TM Frame / T-mullion
	353337
	PACK

GENEO®

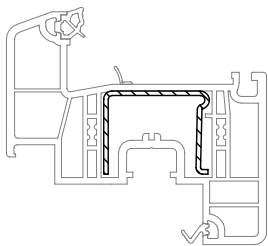
PROFILE PRINT

Sash



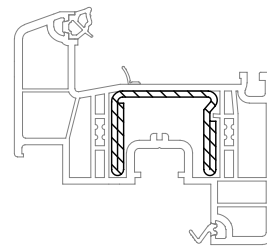
Sash Z57
 RAU-FIPRO
532036
 ...
 ...
 PACK

lx	0.048 in ⁴ (2.0 cm ⁴)
ly	0.019 in ⁴ (0.8 cm ⁴)



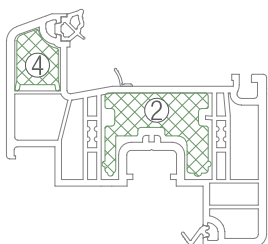
35 mm x 28 mm

	244506
	0.059 in (1.5 mm)
lx	0.0596 in ⁴ (2.48 cm ⁴)
ly	0.0264 in ⁴ (1.10 cm ⁴)
	PACK



35 mm x 28 mm

	244536
	0.079 in (2.0 mm)
lx	0.1192 in ⁴ (4.96 cm ⁴)
ly	0.0476 in ⁴ (1.98 cm ⁴)
	PACK



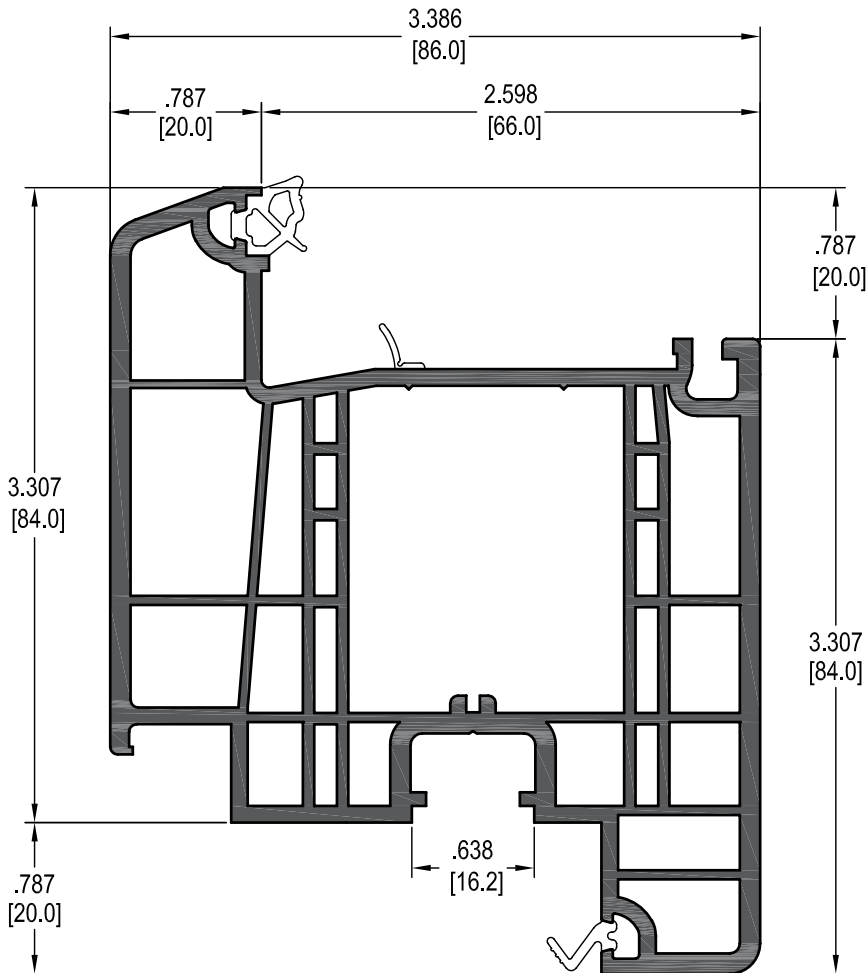
Thermo Module

	TM 35 x 28
②	260013
	PACK
	TM Sash
④	353336
	PACK

GENEO®

PROFILE PRINT

Sash



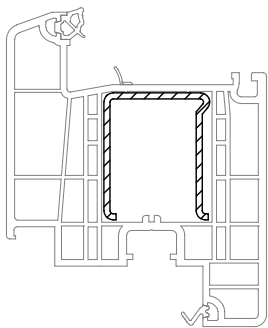
Sash Z84

RAU-FIPRO

532136 [WHT]

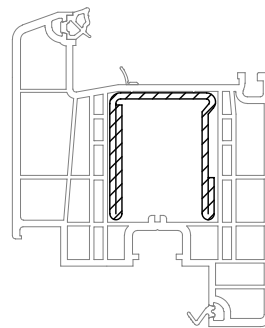
...
 ...
 PACK

lx	0.070 in ⁴ (2.9 cm ⁴)
ly	0.055 in ⁴ (2.3 cm ⁴)



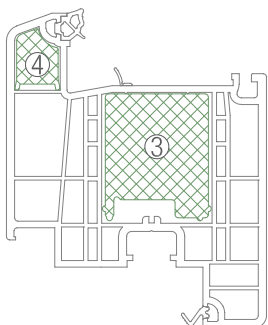
35 mm x 42 mm

	350193
	0.080 in (2.0 mm)
lx	0.1096 in ⁴ (4.56 cm ⁴)
ly	0.1089 in ⁴ (4.53 cm ⁴)
	PACK



35 mm x 42 mm

	238570
	0.079 in (2.0 mm)
lx	0.1557 in ⁴ (6.48 cm ⁴)
ly	0.1459 in ⁴ (6.07 cm ⁴)
	PACK



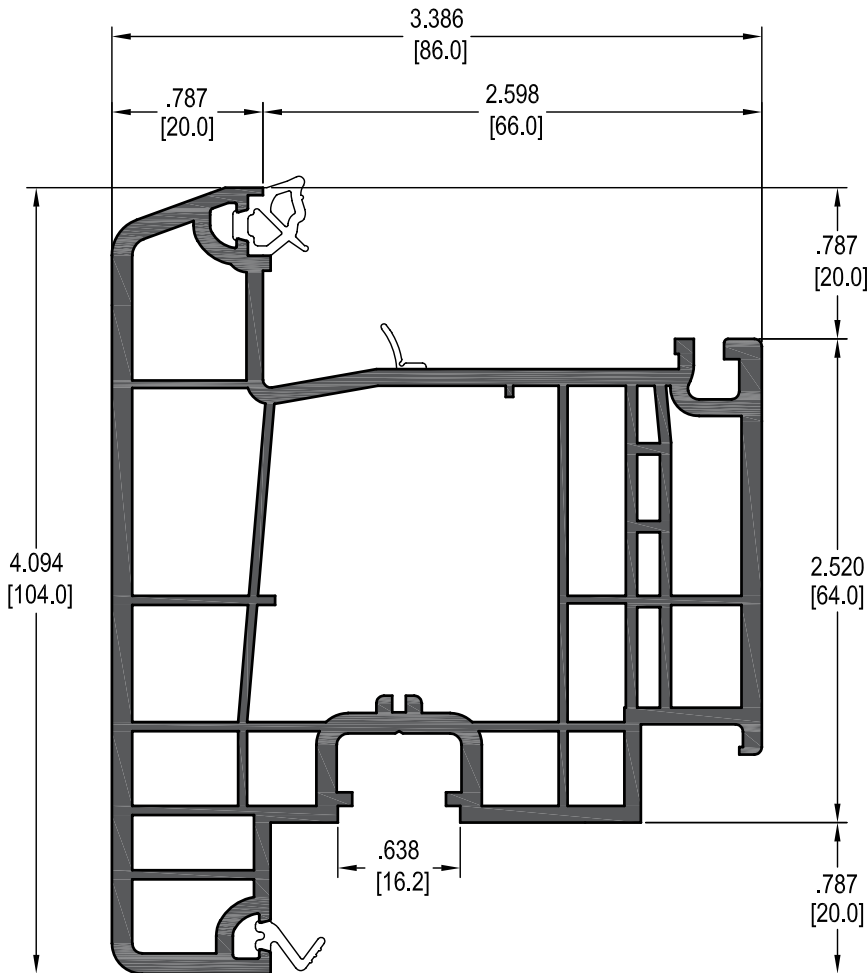
Thermo Module

③	TM 35 x 42
	260023
	PACK
④	TM Sash
	353336
	PACK

GENEO®

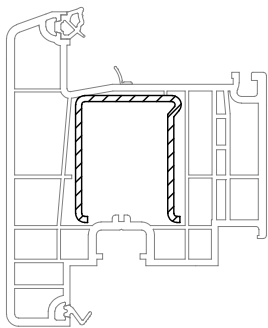
PROFILE PRINT

Sash



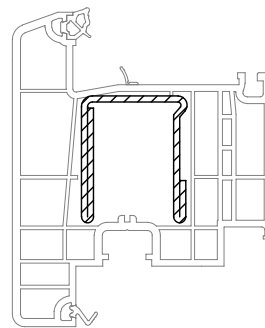
Sash T104
 RAU-FIPRO
532146
 ...
 ...
 PACK

lx	0.067 in ⁴ (2.8 cm ⁴)
ly	0.055 in ⁴ (2.3 cm ⁴)



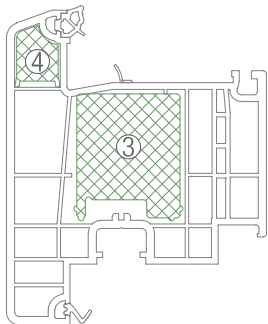
35 mm x 42 mm

	350193
	0.080 in (2.0 mm)
lx	0.1096 in ⁴ (4.56 cm ⁴)
ly	0.1089 in ⁴ (4.53 cm ⁴)
	PACK



35 mm x 42 mm

	238570
	0.079 in (2.0 mm)
lx	0.1557 in ⁴ (6.48 cm ⁴)
ly	0.1459 in ⁴ (6.07 cm ⁴)
	PACK



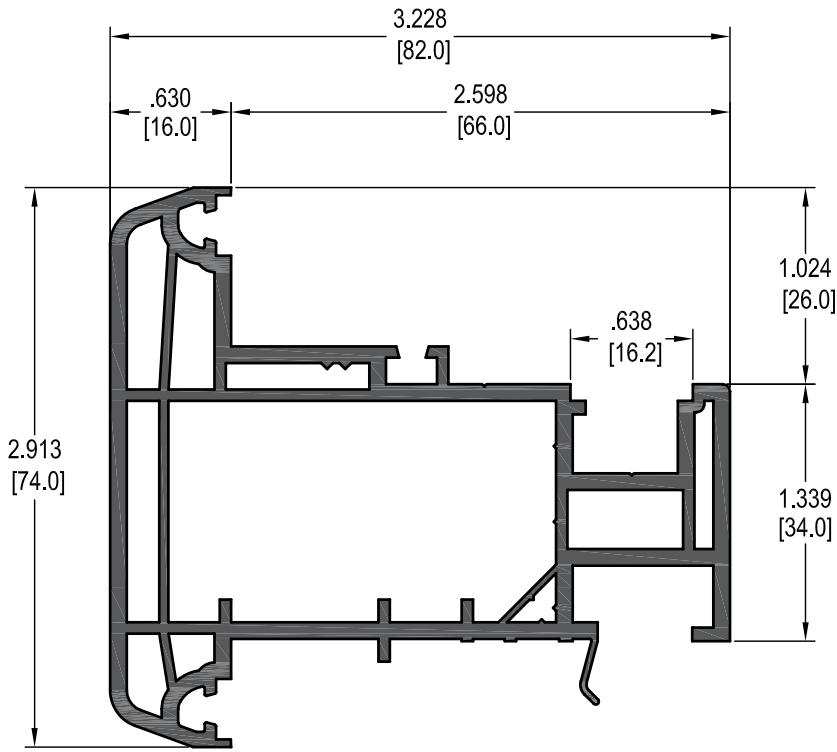
Thermo Module

③	TM 35 x 42
	260023
	PACK
④	TM Sash
	353336
	PACK

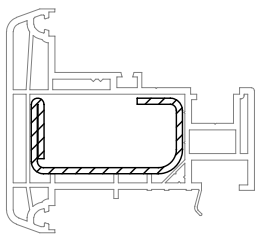
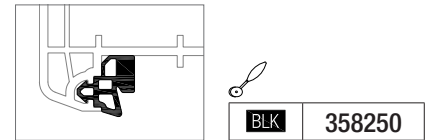
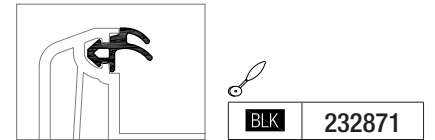
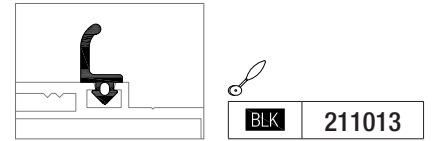
GENEO®

PROFILE PRINT

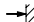

Dummy Mullion

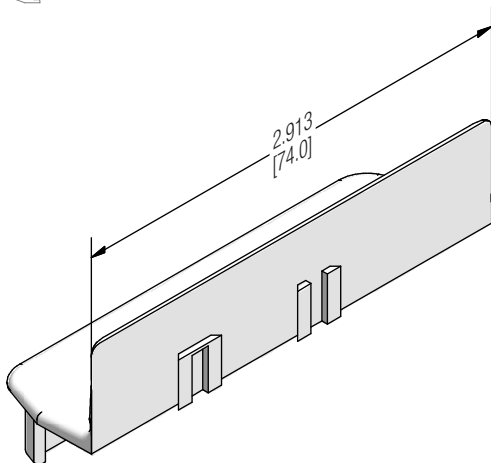


Astragal
532080 WHT 
 ...
 ...
 PACK






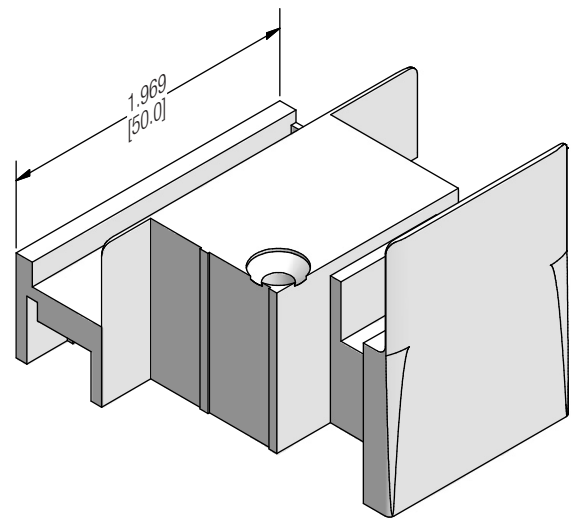
50 mm x 25 mm

	351658
	0.079 in (2.0 mm)
ix	0.2194 in ⁴ (9.13 cm ⁴)
ly	0.0457 in ⁴ (1.90 cm ⁴)
	PACK



End Cap Astragal Exterior

ASA
350595  WHT
350695  WHT
 PACK



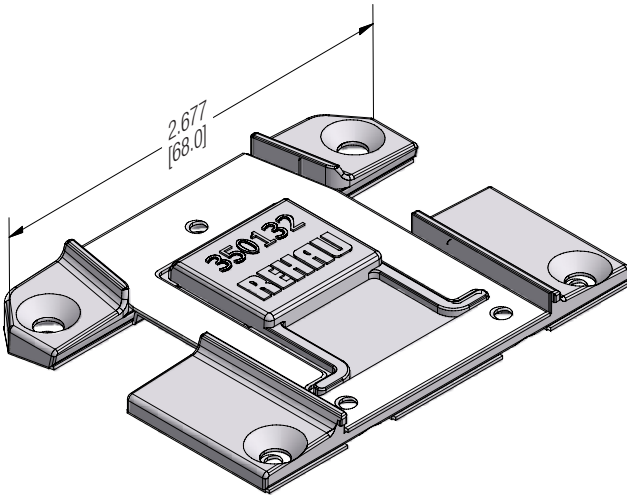
End Cap Astragal Interior

ASA
355285  WHT GRY BLK
355295  WHT GRY BLK
 PACK PACK PACK

GENEO®

PROFILE PRINT

Mechanical Connectors



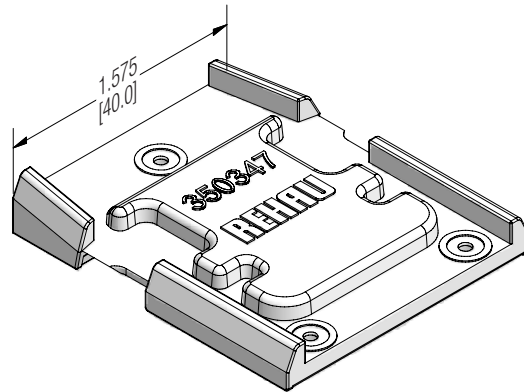
Mechanical Connector T-mullion 98

Die Cast

350132 GRY



BOX



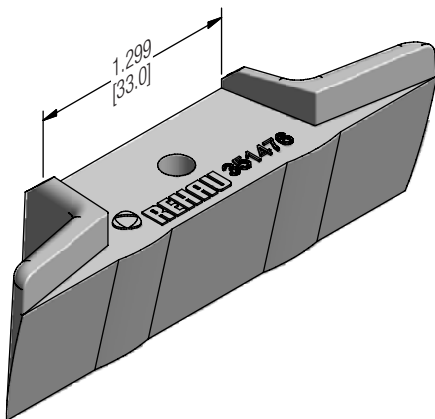
Mechanical Connector T-mullion 98 (T-Connections)

TPE

350347 WHT



BOX*



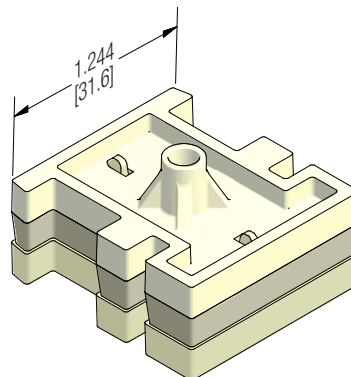
Gasket Block T-mullion 98

TPE

351476 GRY BLK



BOX BOX



Reinforcement Cavity Seal T-mullion 98

PA / TPE

351743 X

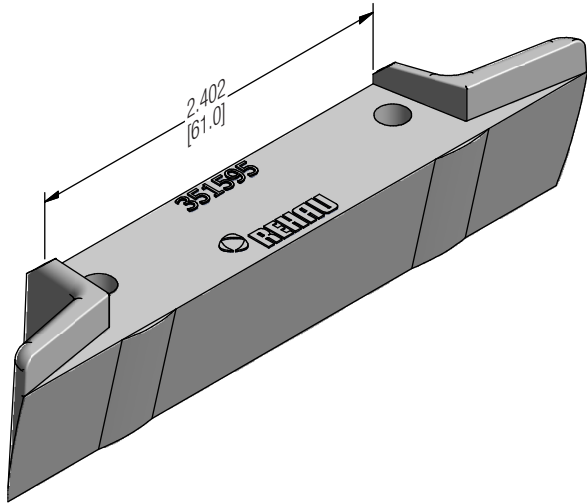


BOX

GENEO®

PROFILE PRINT

Mechanical Connectors



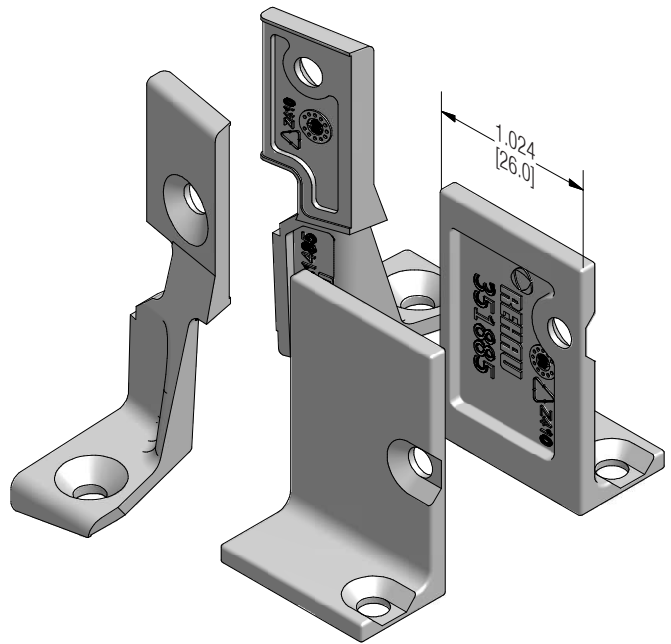
Gasket Block T-mullion 126

TPE

351595 **BLK**



BOX*



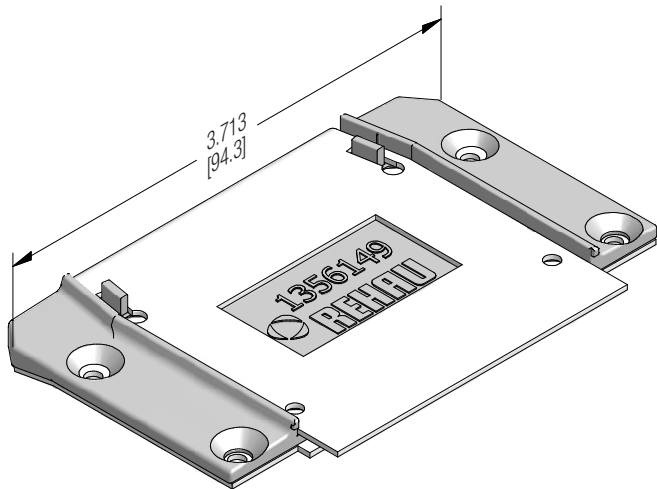
Set T-mullion Brackets

Die Cast

351395 **GRY**



BOX



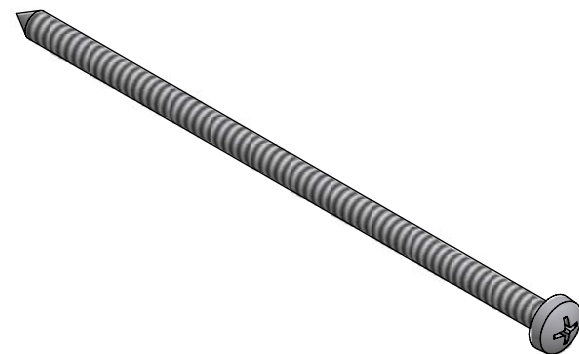
Mechanical Connector Door Sash T

Die Cast

356149 **GRY**



BOX*



Mechanical Connector Screw

Zinc-coated Steel

247725 #8 x 4 in (4.2 x 100 mm)



BOX

207679 #8 x 5 in (4.2 x 120 mm)

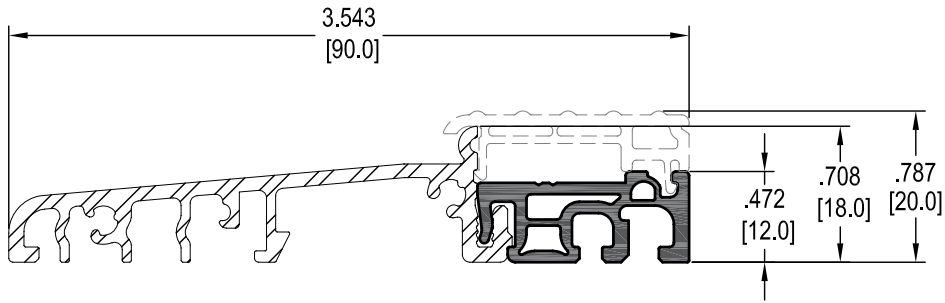
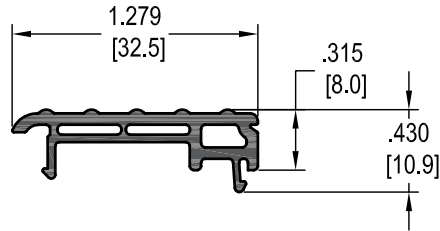


BOX*

GENEO®

PROFILE PRINT

Threshold and Supplementary Profiles

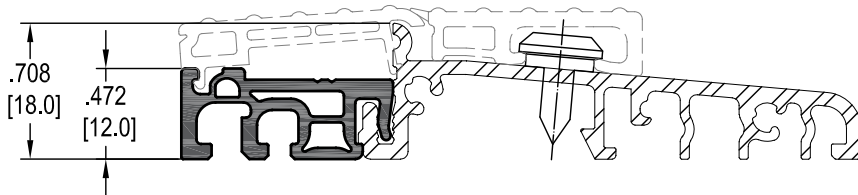
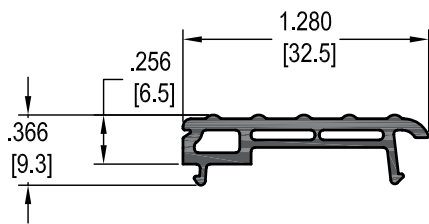
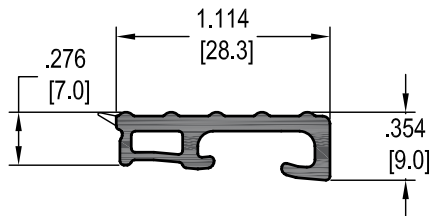


Set Threshold 86

350308  GRY



PACK*



Set Threshold Outswing 86

356030  GRY

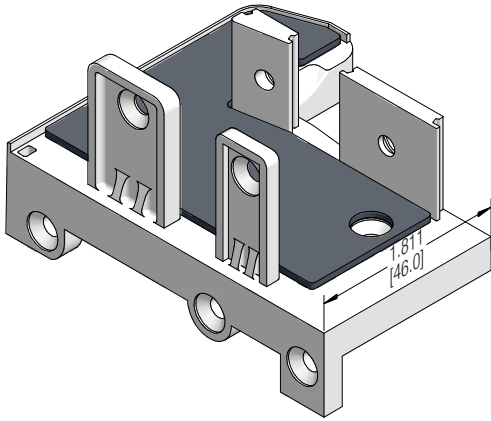


PACK*

GENEO®

PROFILE PRINT

Threshold and Supplementary Profiles



Threshold Connector Frame 72

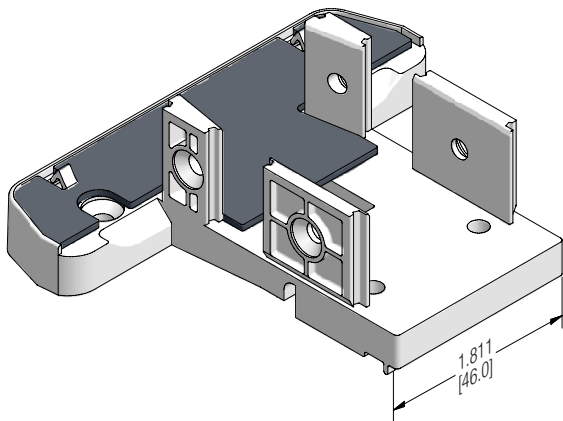
ASA

351747  

351748  



BOX



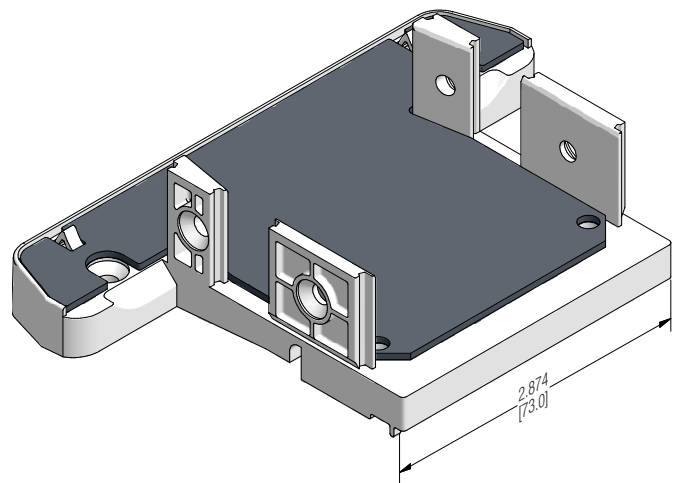
Threshold Connector T-mullion 98

ASA

351744 



BOX*



Threshold Connector T-mullion 126

ASA

351745 

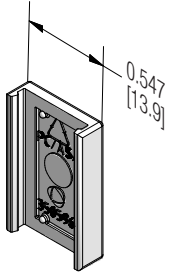


BOX*

GENEO®

PROFILE PRINT

Threshold and Supplementary Profiles



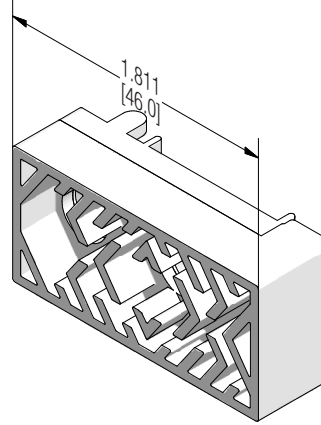
Cover Cap Threshold Connector

ASA

350596 GRY



BOX



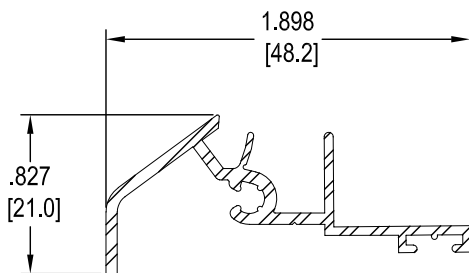
Gasket Block for Doors

ASA / TPE

350592 GRY



BOX

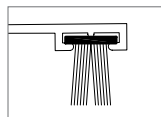


Drip Rail 21

351558 GRY

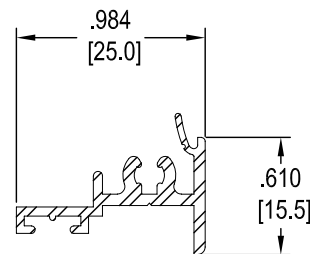


PACK



GRY

248095

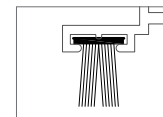


Cover Strip Door Sash T

353550 GRY



PACK



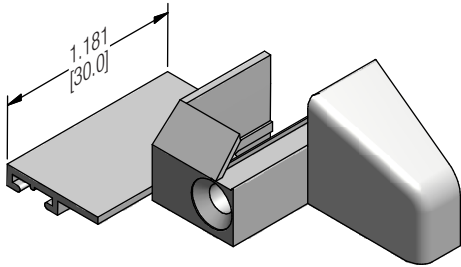
GRY

248095

GENEO®

PROFILE PRINT


Threshold and Supplementary Profiles



End Cap Drip Rail 21

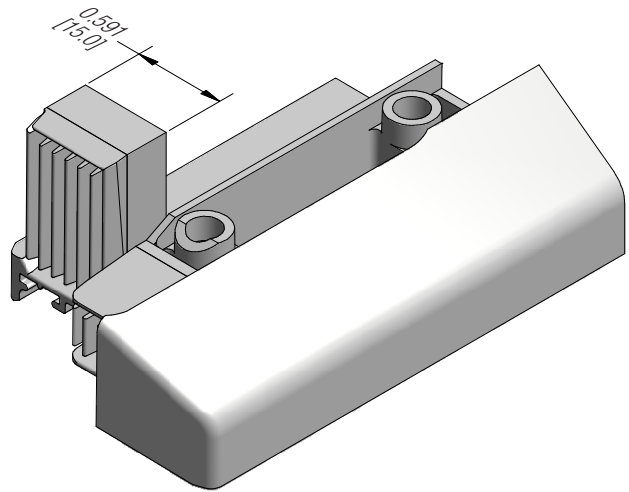
ASA

351195  GRY

351295  GRY



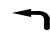
BOX



End Cap Drip Rail 21 Astragal

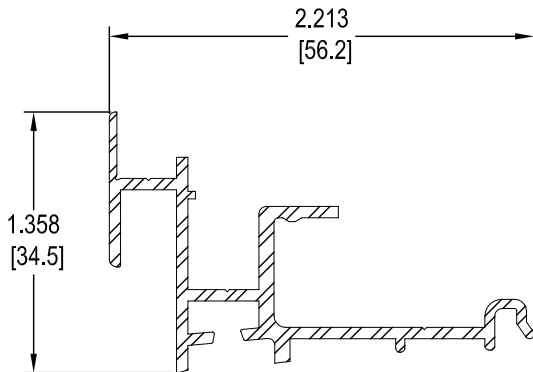
ASA

353366  GRY

353365  GRY



BOX

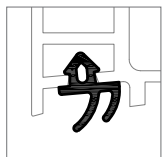


Sash Adapter Aluminum Threshold

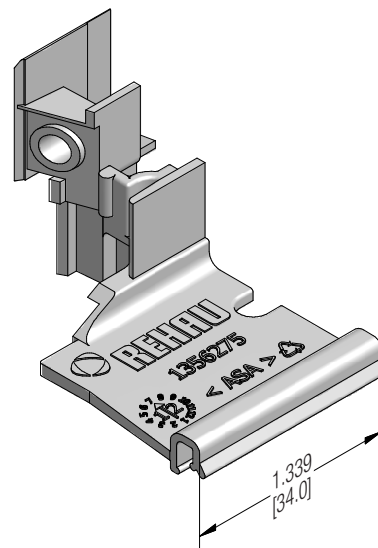
303376 



PACK*




BLK 318800



End Cap Compensation Profile

ASA

356275  GRY

356285  GRY



BOX*

GENEO®

PROFILE PRINT

Supplementary Articles



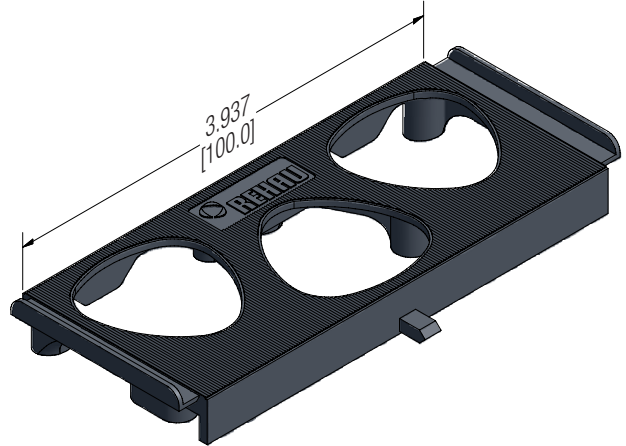
Setting Block for Glazing Shim 55 x 4 mm

RAU-PP

353862 



BOX



Setting Block for Glazing Shim for Fixed Glazing 55 x 10 mm

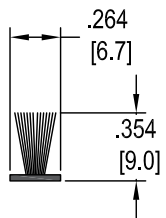
RAU-PP

350474 



BOX

Brush Seal



Brush Seal 6.7 x 9 mm
(for 351558 or 353550)

248095 

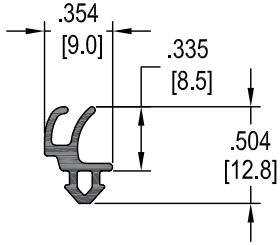


BOX

GENEO®

PROFILE PRINT

Glazing Spline and Seals

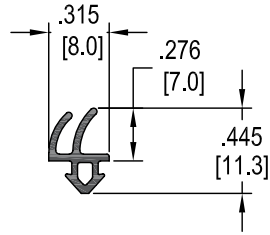


Compression Seal Frame
EPDM

232871 **BLK**



BOX*

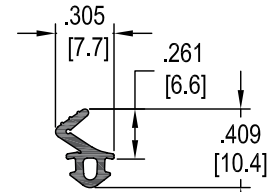


Compression Seal Sash
EPDM

211728 **BLK**



BOX*

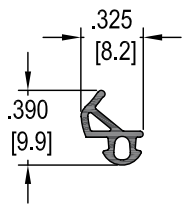


Compression Seal Z
PREN

560728 **BLK**



BOX*

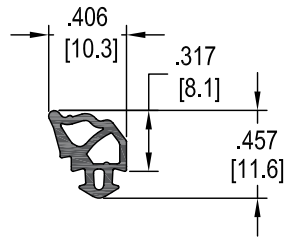


Compression Seal
EPDM

330101 **BLK**



BOX

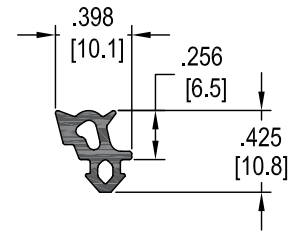


Universal Spline
PREN

607457 **BLK**



BOX

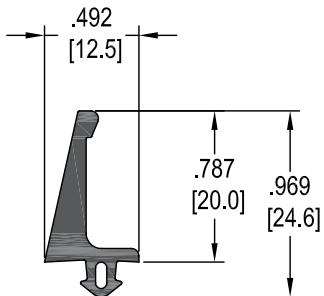


Glazing Spline
EPDM

232901 **BLK**



BOX

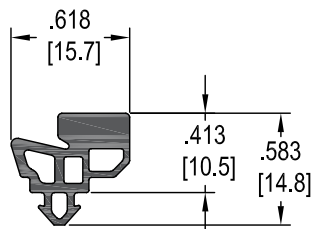


Center Seal
PREN

211005 **GRY**



BOX*

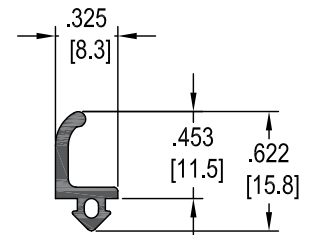


Astragal Seal
EPDM

358250 **BLK**



BOX



Astragal Center Seal
EPDM

211013 **BLK**

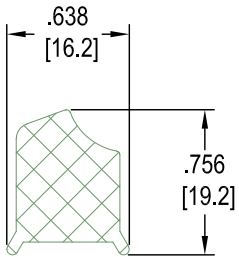


BOX*

GENEO®

PROFILE PRINT

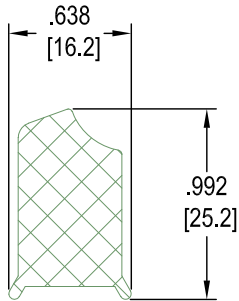
Thermo Module (TM)



TM Sash

EPS

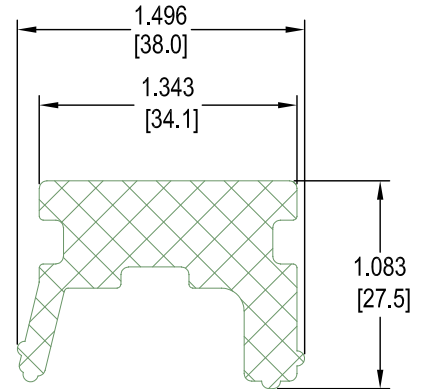
353336 



TM Frame / T-mullion


EPS

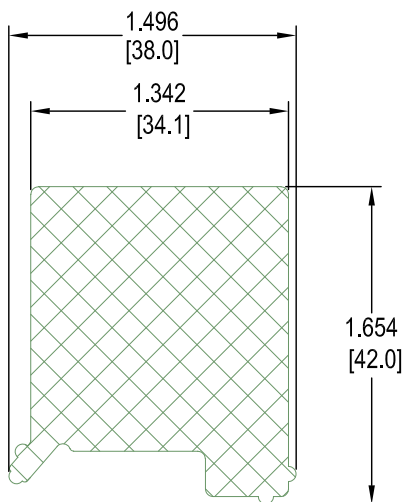
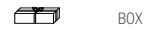
353337 



TM 35 x 28

EPS

260013 



TM 35 x 42

EPS

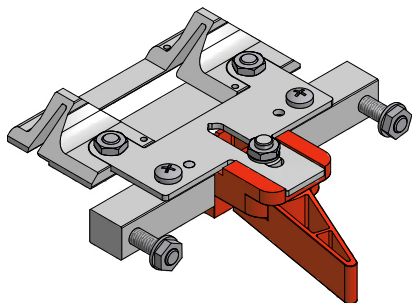
260023 



GENEO®

PROFILE PRINT

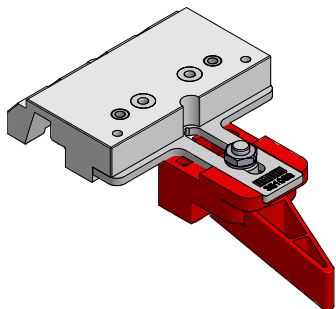
Drill and Cutting Jigs



Drill and Cutting Jig for Center Seal
(Mechanical Connector Frame / T-mullion rebate screw connection,
notched and welded Center Seal)

350343 

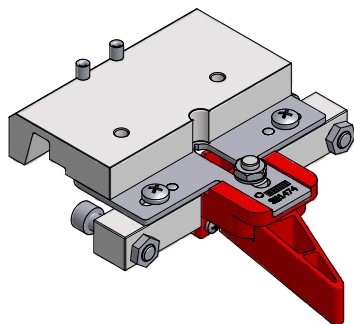
 BOX*



Drill Jig continuous Center Seal
(Mechanical Connector Frame / T-mullion,
with continuous Center Seal, continuous screw connection)

351083 

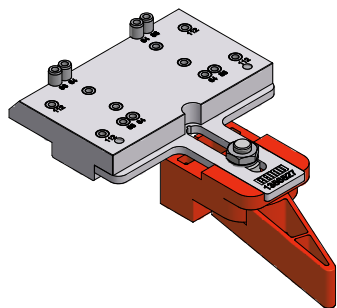
 BOX



Drill Jig T-Mullion Brackets
(Cross connection T-mullion, rebate screw connection)

351474 

 BOX



Drill Jig Rebate Screw Connection
(Mechanical Connection Sash / Sash Bar, rebate screw connection)

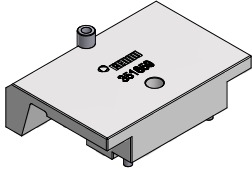
356527 

 BOX*


GENEO®

PROFILE PRINT

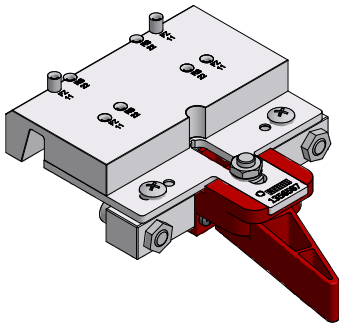
Drill and Cutting Jigs




Drill Jig Frame-to-Frame Mulling

351859 

 BOX*

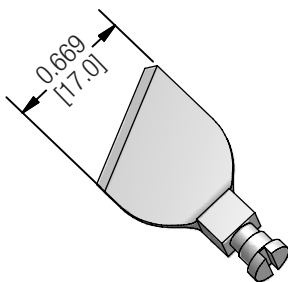


Drill Jig Threshold Connector

356587 

 BOX*

Tooling Accessories



Welding Plate
(for welding the center seal)

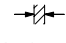
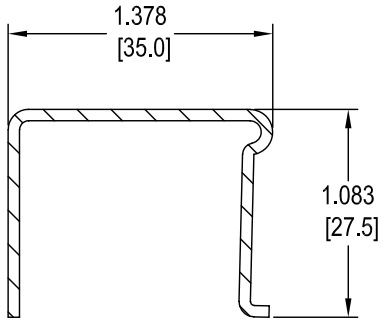
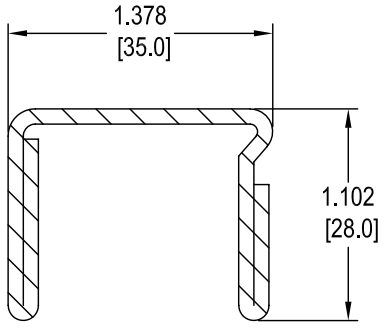
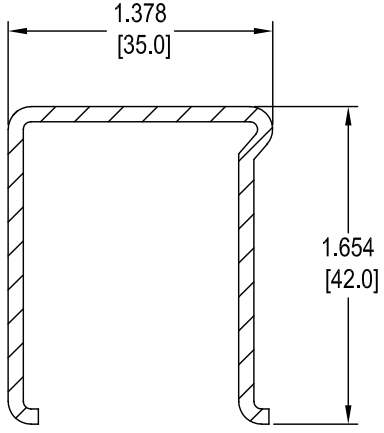
247735 

 BOX*

GENEO®

PROFILE PRINT

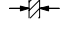
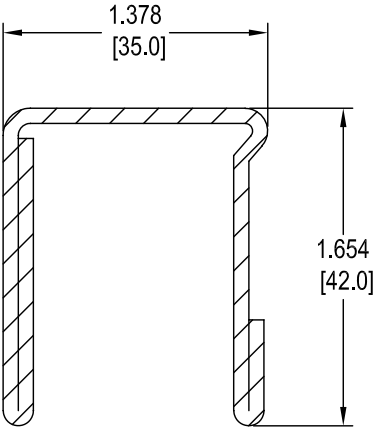
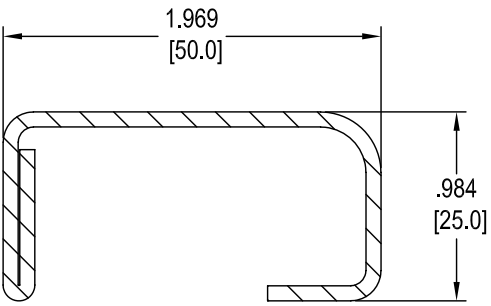
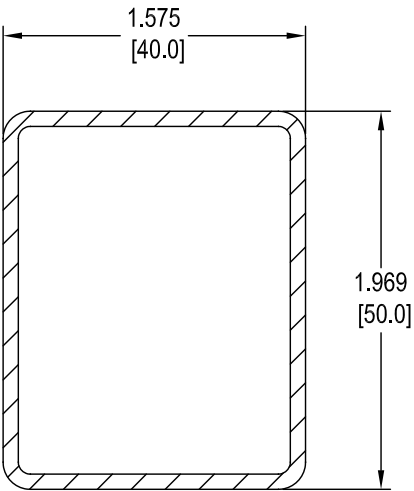
Reinforcements

Reinforcement Diagram	Art. no.	Weight kg / m	 in (mm)	I _x I _x in ⁴ (I _x cm ⁴)	I _y I _y in ⁴ (I _y cm ⁴)
	244506	1.04	0.059 (1.5)	0.0596 (2.48)	0.0240 (1.10)
	244536	1.98	0.079 (2.0)	0.1192 (4.96)	0.0476 (1.98)
	350193	1.83	0.079 (2.0)	0.1096 (4.56)	0.1089 (4.53)

GENEO®

PROFILE PRINT

Reinforcements

Reinforcement Diagram	Art. no.	Weight kg / m	 in (mm)	I _x I _x in ⁴ (I _x cm ⁴)	I _y I _y in ⁴ (I _y cm ⁴)
	238570	2.58	0.079 (2.0)	0.1557 (6.48)	0.1459 (6.07)
	351658*	1.93	0.079 (2.0)	0.2194 (9.13)	0.0457 (1.90)
	251886	2.63	0.079 (2.0)	0.2031 (8.45)	0.2872 (11.95)

GENEO®

PROFILE PRINT

Article List

Art. no.	Description	Unit of Measure	Pack Qty	Rack Qty	Carton / Box Qty	Page
207679	Mechanical Connector Screw #8 x 5 in (4.2 x 120 mm)	PC			100	10
211005	Center Seal	M			50	16
211013	Astragal Center Seal	M			200	8/16
211728	Compression Seal Sash	M			400	16
232871	Compression Seal Frame	M			300	8/16
232901	Glazing Spline	M			300	16
238570	Steel Reinforcement 35 x 42 x 2.0 mm	M	6			6/7/21
244506	Steel Reinforcement 35 x 28 x 1.5 mm	M	6			2/3/5/20
244536	Steel Reinforcement 35 x 28 x 2.0 mm	M	6			2/3/5/20
247725	Mechanical Connector Screw #8 x 4 in (4.2 x 100 mm)	PC			200	10
247735	Welding Plate (for welding the center seal)	PC			1	19
248095	Brush Seal 6.7 x 9 mm	M			50	13/15
251886	Steel Reinforcement 40 x 50 x 2.0 mm	M	6			4/21
260013	Thermo Module 35 x 28	M			75	2/3/5/17
260023	Thermo Module 35 x 42	M			50	6/7/17
303376	Sash Adapter Aluminum Threshold	M	6			14
330101	Compression Seal Frame / Sash / T-mullion	M			500	14/17
350132	Mechanical Connector T-mullion 98	PC			50	9
350193	Steel Reinforcement 35 x 42 x 2.0 mm	M	6			6/7/20
350308	Set Threshold 86	M	6			11
350343	Drill and Cutting Jig for Center Seal	PC			1	18
350347	Mechanical Connector T-mullion 98 (T-Connections)	PC			250	9
350474	Setting Block for Glazing Shim for Fixed Glazing 55 x 10 mm	PC			250	15
350592	Gasket Block for Doors	PC			100	13
350595	End Cap Astragal Exterior (Right)	PC			50	8
350596	Cover Cap Threshold Connector	PC			100	13
350695	End Cap Astragal Exterior (Left)	PC			50	8
351083	Drill Jig continuous Center Seal	PC			1	18
351195	End Cap Drip Rail 21 (Right)	PC			25	14
351295	End Cap Drip Rail 21 (Left)	PC			25	14
351395	Set T-mullion Brackets	PC			1	10
351474	Drill Jig T-mullion Brackets	PC			1	18
351476	Gasket Block T-mullion 98	PC			50	9
351558	Drip Rail 21	M	6			13
351595	Gasket Block T-mullion 126	PC			50	10
351658	Steel Reinforcement 50 x 25 x 2.0 mm	M	6			8/21
351743	Reinforcement Cavity Seal T-mullion 98	PC			50	9
351744	Threshold Connector T-mullion 98	PC			50	12
351745	Threshold Connector T-mullion 126	PC			50	12
351747	Threshold Connector Frame 72 (Right)	PC			50	12
351748	Threshold Connector Frame 72 (Left)	PC			50	12
351859	Drill Jig Frame-to-Frame Mulling					19



The information contained herein is believed to be reliable, but no representations, guarantees or warranties of any kind are made as to its accuracy, suitability for particular applications or the results to be obtained therefrom. Before using, the user will determine suitability of the information for user's intended use and shall assume all risk and liability in connection therewith.

© 2018 REHAU