

# REHAU WINDOW SYSTEM 700











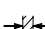

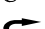







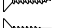


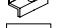
TECHNICAL INFORMATION

PROFILE PRINT

# REHAU WINDOW SYSTEM 700

## PROFILE PRINT

### Legend

	Color: Black
	Color: Grey
	Color: Clay
	Color: Beige
	Color: White
	Steel Galvanized
	Aluminum Anodized
	Random Color
	Foiled
	Packing unit (for details, see article table)
	Wall thickness in / mm
	Manually installed seal
	Right-hand format
	Left-hand format
*	Non-standard, delivery time on request
$I_x$	Moment of inertia in X direction in $\text{cm}^4$
$I_y$	Moment of inertia in Y direction in $\text{cm}^4$
	Affix with PVC adhesive, white profiles with adhesive 1251660/1251670, laminated profiles with solvent-free adhesive (e.g. Cosmofen 515, Weiss).
	Seal with silicone
	Seal with EPDM sealant
	Affix with EPDM adhesive
	Panhead sheet-metal screw ISO 7049
	Countersunk sheet-metal screw ISO 7050
	Countersunk tapping screw ISO 15482
	Panhead tapping screw ISO 15481
	Drilling and cutting jigs
	Milling drawing



# REHAU WINDOW SYSTEM 700

## PROFILE PRINT

### Table of Contents

Legend ..... II

Single-Hung Frame, 601385 ..... 2

Single-Slider Frame, 601435 ..... 3

Double-Hung Frame, 619255 ..... 4

Double-Hung Frame (w/ Nail Fin), 719255 ..... 5

Double-Slider Frame, 619265 ..... 6

Double-Slider Frame (w/ Nail Fin), 719265 ..... 7

SS / DS Pocket T-Mullion, 658001 ..... 8

Sash for 1 in Glazing, 601525 ..... 9

Sash for 7/8 in Glazing, 601535 ..... 9

SH / SS Transom, 601395 ..... 10

SH / SS Transom Attachment Bracket Set (LH/RH), 619405 ..... 10

Internal Common Glazing Stop, 600175 ..... 11

Internal Lift-Rail Glazing Stop, 605683 ..... 11

Internal Contoured Glazing Stop, 619695 ..... 11

Fixed-Lite Glazing Spline (for 7/8 in Glass), 864992 ..... 11

Fixed-Lite Glazing Spline (for 1 in Glass), 601575 ..... 11

DS Fixed-Lite Filler, 658011 ..... 12

SS / DS Sash Pocket Filler, 658021 ..... 12

Side-on Interlock, 608703 ..... 13

Wide Sash Stop, 605703 ..... 13

Flush Balance Cover, 600367 ..... 13

DH Head Pocket Cover, 600237 ..... 14

SH / DH Sill Insert, 245534 ..... 14

DH Snap-in Sill, 605693 ..... 14

SS / DS Track, 605613 ..... 15

Tilt-Slide Jamb Pocket Cover, 608753 ..... 15

Screen Channel Spacer, 605543 ..... 15

SH / SS Screen Clip, 260243/260253 ..... 15

Reinforcements, 601415-991 ..... 16

Reinforcements, 244536 ..... 16

Reinforcements, 601585 ..... 16

Reinforcements, 601405 ..... 16

Reinforcements, 264306 ..... 16

Reinforcements, 255924 ..... 16

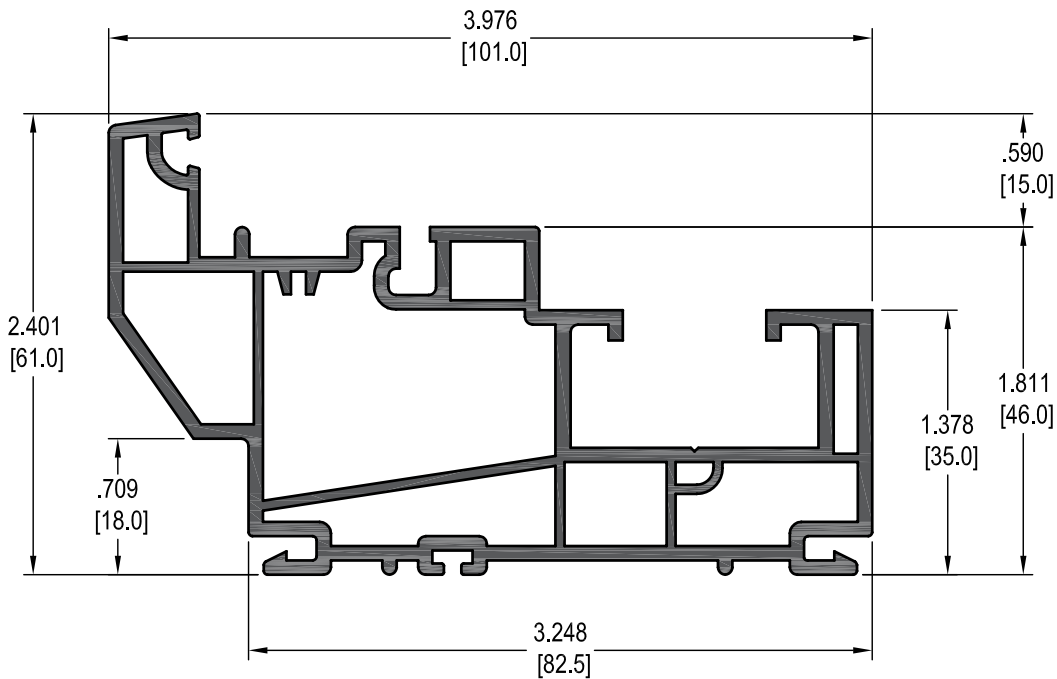
Article List ..... 17

Table of Colors ..... a

# REHAU WINDOW SYSTEM 700

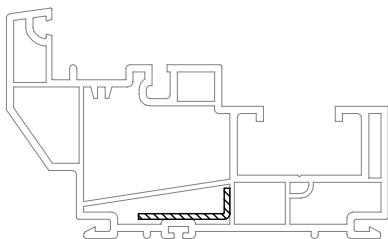
## PROFILE PRINT

### Frames



### Single-Hung Frame

<b>601385</b>	WHT	BG	CLAY	
	PACK	---	---	
	---	---	---	
	PACK	PACK	PACK*	



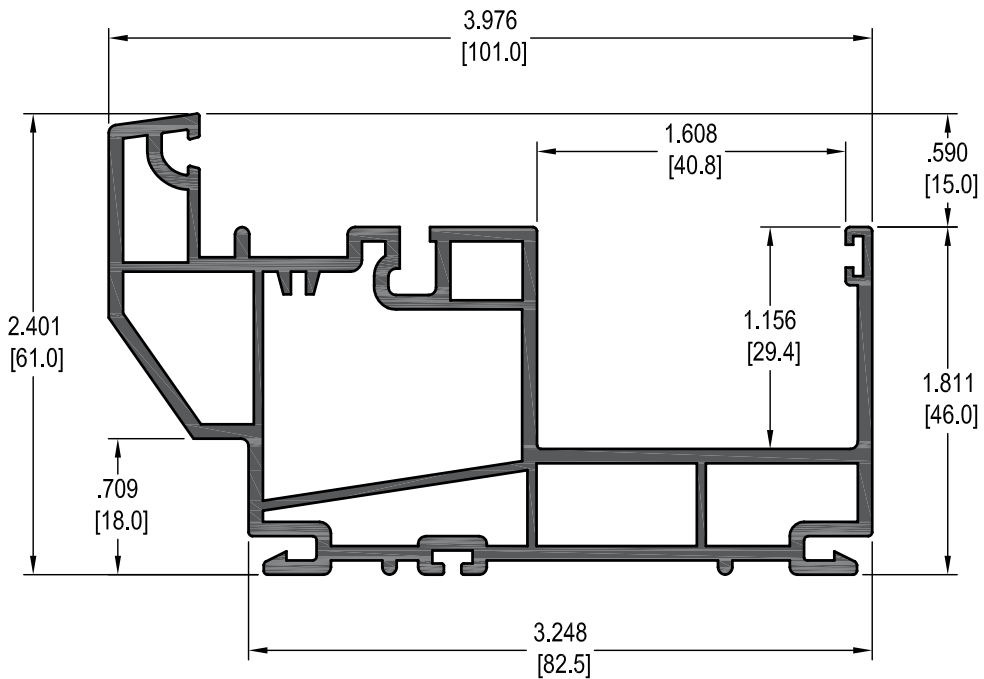
24.2 mm x 8.2 mm

	<b>601415-991</b>
	0.059 in (1.5 mm)
lx	0.0067 in <sup>4</sup> (0.28 cm <sup>4</sup> )
ly	0.0002 in <sup>4</sup> (0.01 cm <sup>4</sup> )
	PACK

# REHAU WINDOW SYSTEM 700

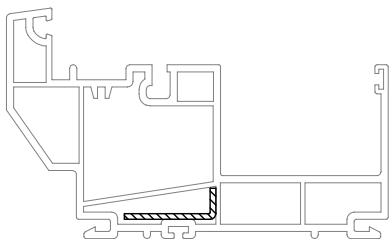
## PROFILE PRINT

### Frames



### Single-Slider Frame

<b>601435</b>	WHT	BG	CLAY	
	RACK	---	---	
	---	---	---	
	PACK	PACK	PACK*	



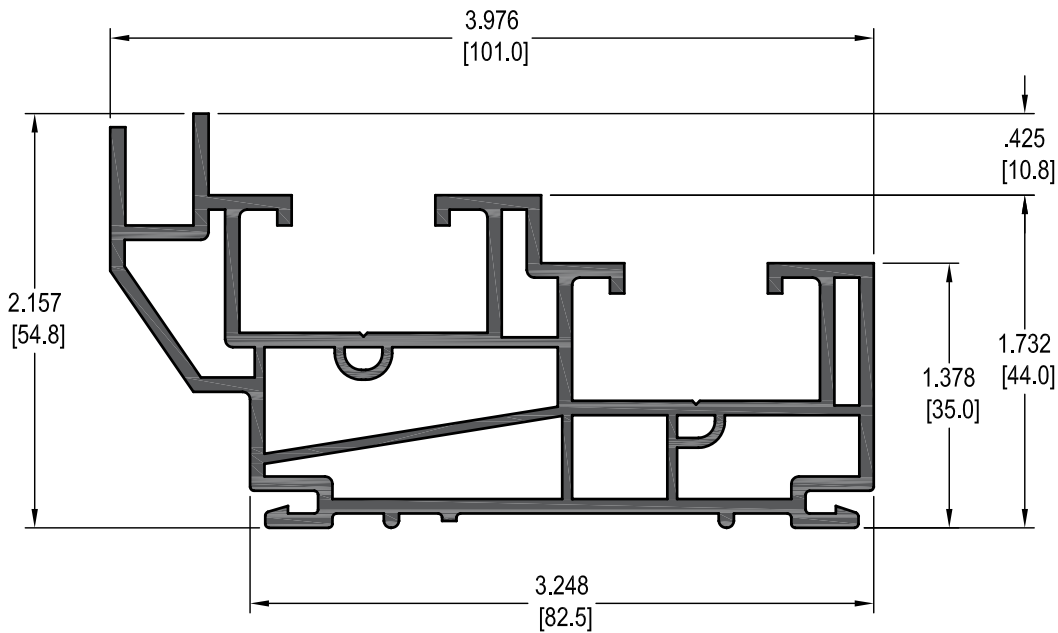
24.2 mm x 8.2 mm

	<b>601415-991</b>
	0.059 in (1.5 mm)
lx	0.0067 in <sup>4</sup> (0.28 cm <sup>4</sup> )
ly	0.0002 in <sup>4</sup> (0.01 cm <sup>4</sup> )
	PACK

# REHAU WINDOW SYSTEM 700

## PROFILE PRINT

### Frames



Double-Hung Frame

**619255**

WHT

BG

CLAY



RACK

---

---

MOD\*

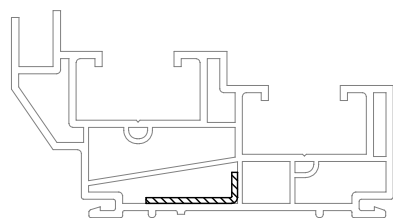
---

---

PACK

PACK

PACK\*



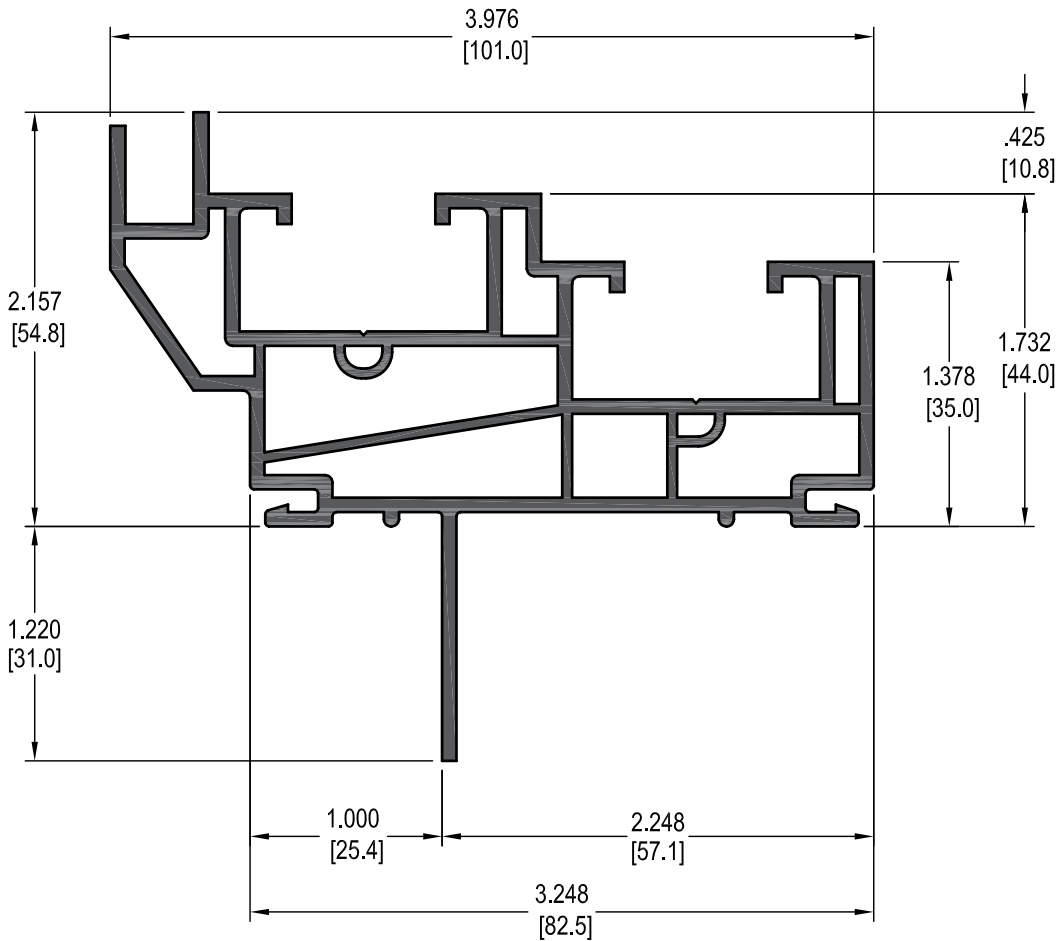
24.2 mm x 8.2 mm

	<b>601415-991</b>
	0.059 in (1.5 mm)
lx	0.0067 in <sup>4</sup> (0.28 cm <sup>4</sup> )
ly	0.0002 in <sup>4</sup> (0.01 cm <sup>4</sup> )
	PACK

# REHAU WINDOW SYSTEM 700

## PROFILE PRINT

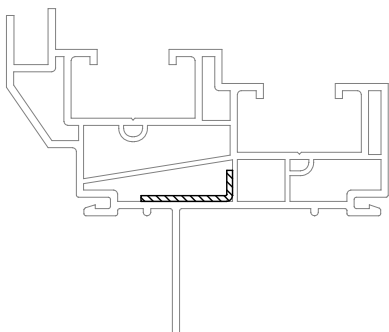
### Frames



Double-Hung Frame  
(w/ Nail Fin)

**719255** WHT BG CLAY

	RACK	---	---
	MOD*	---	---
	PACK	PACK	PACK*



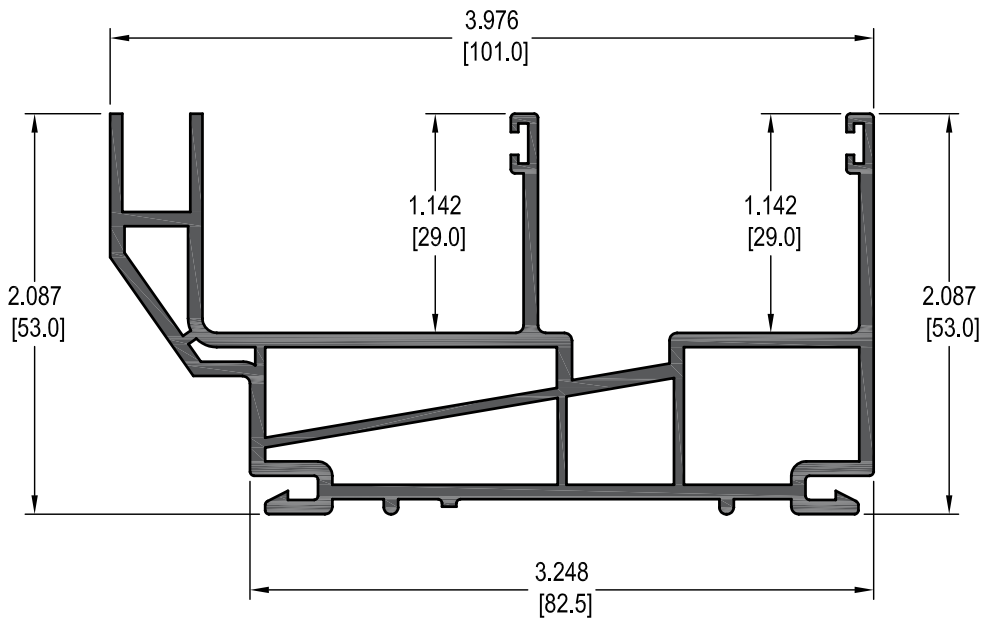
24.2 mm x 8.2 mm

	<b>601415-991</b>
	0.059 in (1.5 mm)
$I_x$	0.0067 in <sup>4</sup> (0.28 cm <sup>4</sup> )
$I_y$	0.0002 in <sup>4</sup> (0.01 cm <sup>4</sup> )
	PACK

# REHAU WINDOW SYSTEM 700

## PROFILE PRINT

### Frames



#### Double-Slider Frame

**619265**

WHT

BG

CLAY



RACK

---

---

MOD\*

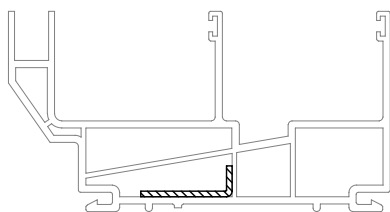
---

---

PACK

PACK

PACK\*



24.2 mm x 8.2 mm

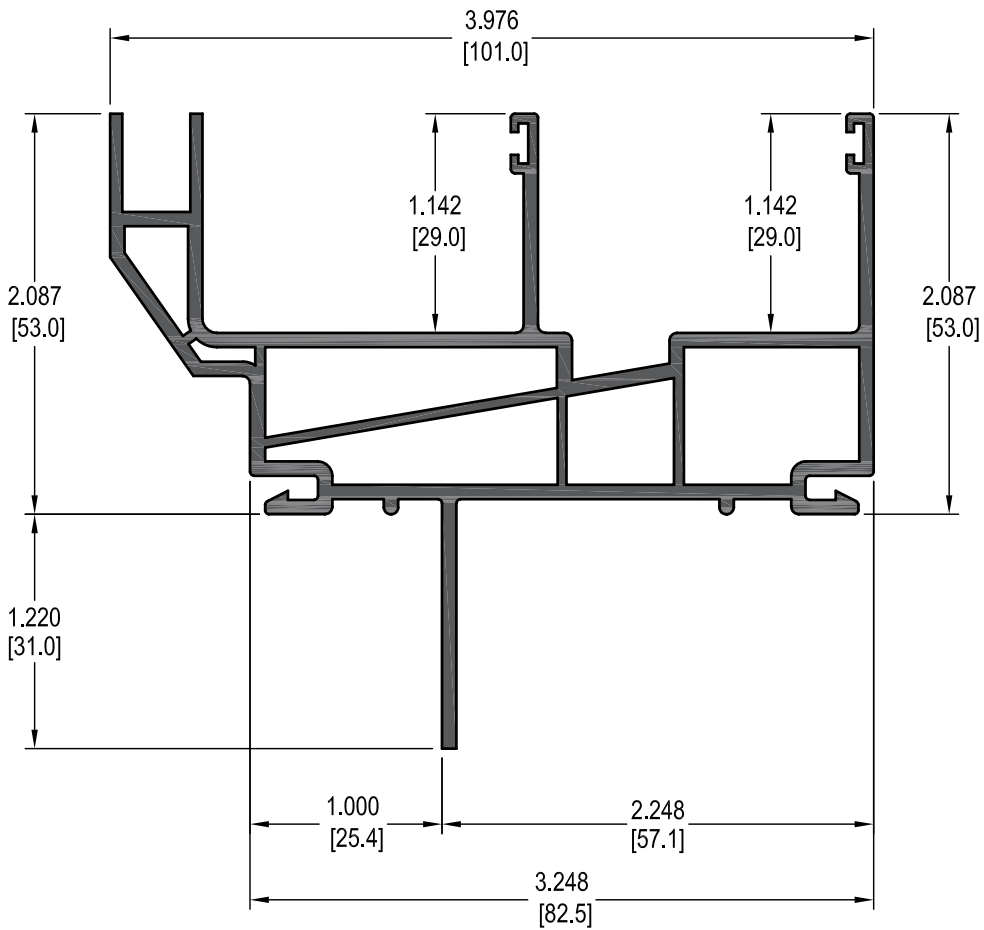
	<b>601415-991</b>
	0.059 in (1.5 mm)
lx	0.0067 in <sup>4</sup> (0.28 cm <sup>4</sup> )
ly	0.0002 in <sup>4</sup> (0.01 cm <sup>4</sup> )
	PACK



# REHAU WINDOW SYSTEM 700

## PROFILE PRINT

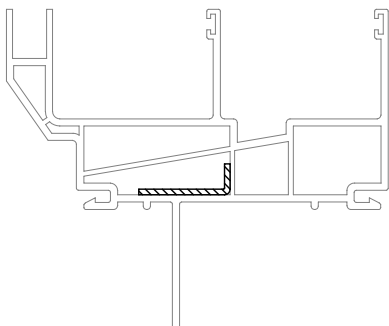
### Frames



Double-Slider Frame  
(w/ Nail Fin)

**719625** WHT BG CLAY

	RACK	---	---
	MOD*	---	---
	PACK	PACK	PACK*



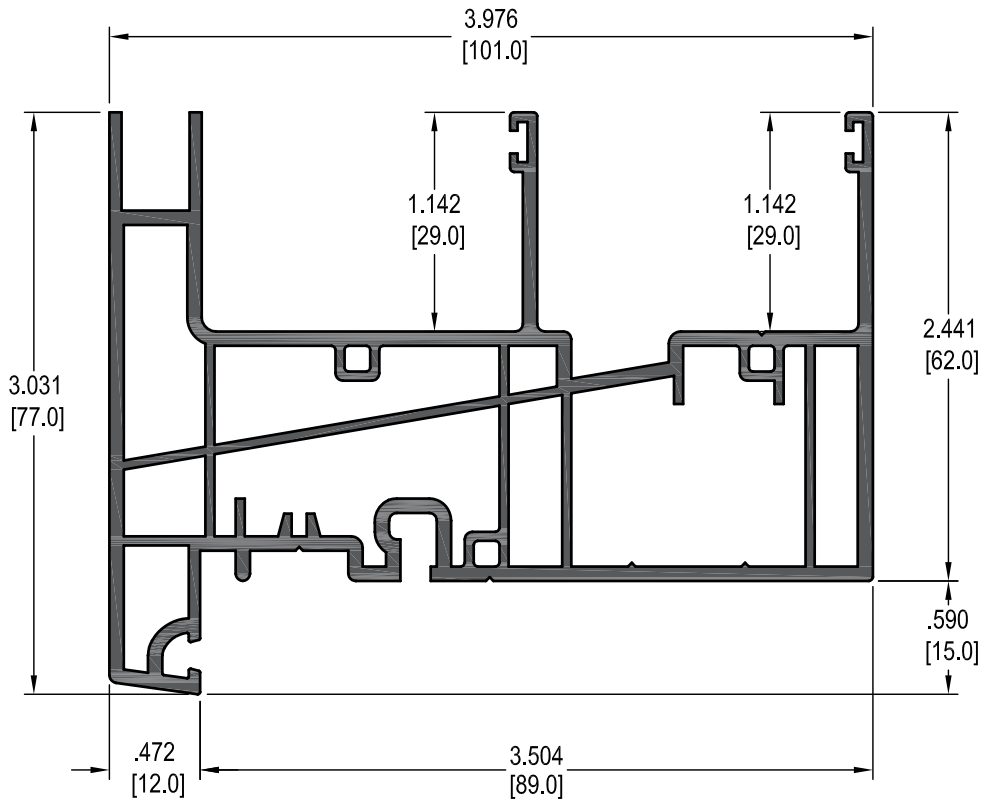
24.2 mm x 8.2 mm

	<b>601415-991</b>
	0.059 in (1.5 mm)
lx	0.0067 in <sup>4</sup> (0.28 cm <sup>4</sup> )
ly	0.0002 in <sup>4</sup> (0.01 cm <sup>4</sup> )
	PACK

# REHAU WINDOW SYSTEM 700

## PROFILE PRINT

### Mullion



SS / DS Pocket T-Mullion

**658001**

WHT

BG

CLAY



RACK

---

---

---

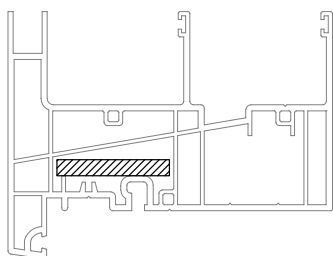
---

---

PACK

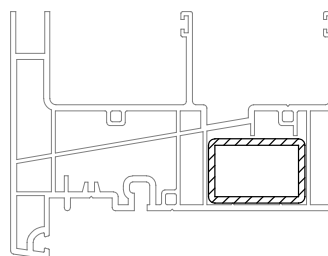
PACK

PACK\*



35 mm x 5.0 mm

	<b>264306</b>
	0.197 in (5 mm)
Ix	0.0430 in <sup>4</sup> (1.79 cm <sup>4</sup> )
Iy	0.0010 in <sup>4</sup> (0.04 cm <sup>4</sup> )
	PACK



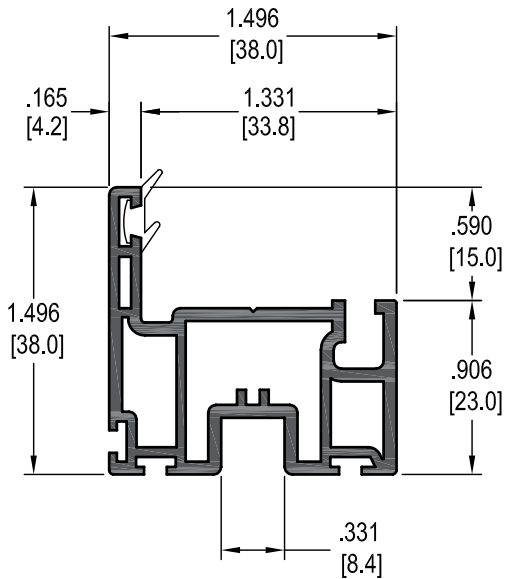
30 mm x 20 mm

	<b>255924</b>
	0.079 in (2.0 mm)
Ix	0.0500 in <sup>4</sup> (2.08 cm <sup>4</sup> )
Iy	0.0260 in <sup>4</sup> (1.08 cm <sup>4</sup> )
	PACK

# REHAU WINDOW SYSTEM 700

## PROFILE PRINT

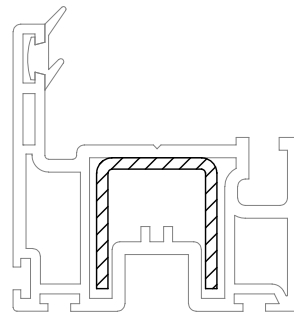
### Sashes



Sash for 1 in Glazing

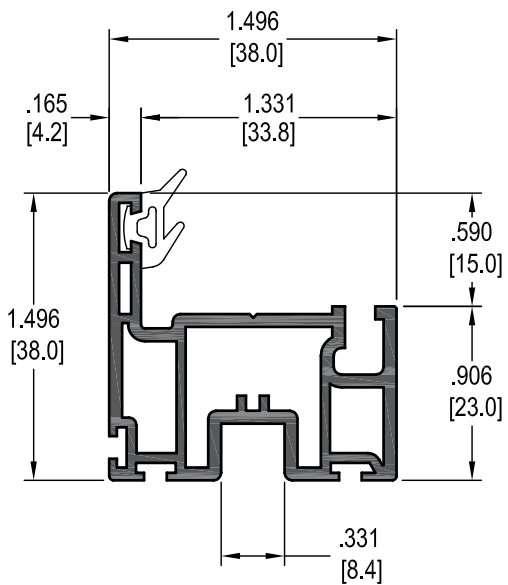
**601525** [WHT] [BG] [CLAY]

	RACK	---	---
	---	---	---
	PACK	PACK	PACK*



15.9 mm x 17.3 mm

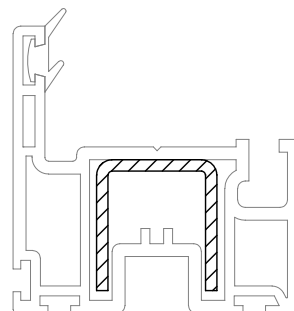
<b>601585</b>	
	0.059 in (1.5 mm)
lx	0.0070 in <sup>4</sup> (0.29 cm <sup>4</sup> )
ly	0.0050 in <sup>4</sup> (0.21 cm <sup>4</sup> )
	PACK



Sash for 7/8 in Glazing

**601535** [WHT] [BG] [CLAY]

	RACK	---	---
	---	---	---
	PACK	PACK	PACK*



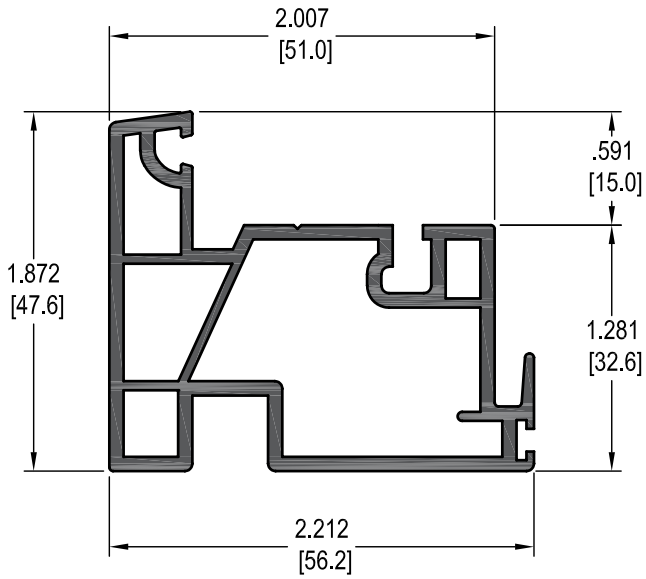
15.9 mm x 17.3 mm

<b>601585</b>	
	0.059 in (1.5 mm)
lx	0.0070 in <sup>4</sup> (0.29 cm <sup>4</sup> )
ly	0.0050 in <sup>4</sup> (0.21 cm <sup>4</sup> )
	PACK

# REHAU WINDOW SYSTEM 700

## PROFILE PRINT

### Transom and Bracket



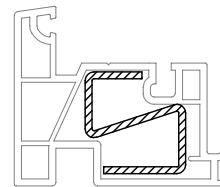
SH / SS Transom

**601395** WHT BG CLAY

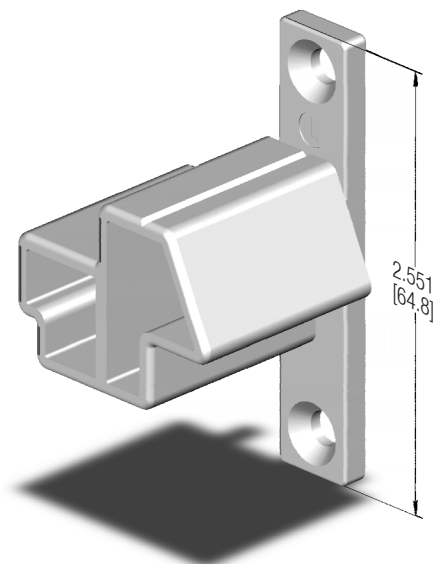


PACK PACK PACK\*

26.6 mm x 26.9 mm



	<b>601405</b>
	0.071 in (1.8 mm)
Ix	0.0430 in <sup>4</sup> (1.79 cm <sup>4</sup> )
Iy	0.0190 in <sup>4</sup> (0.79 cm <sup>4</sup> )
	PACK



SH / SS Transom

Attachment Bracket Set (LH/RH)

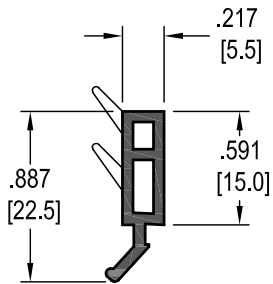
**619405** WHT BG CLAY

PACK PACK PACK\*

# REHAU WINDOW SYSTEM 700

## PROFILE PRINT

### Glazing Stops and Glazing Splines

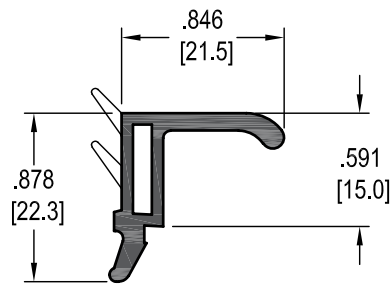


Internal Common Glazing Stop

**600175** WHT BG CLAY



PACK PACK PACK\*

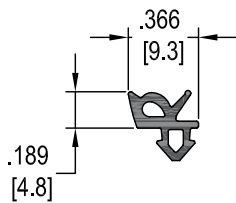


Internal Lift-Rail Glazing Stop

**605683** WHT BG CLAY



MOD\* --- ---  
PACK PACK PACK\*

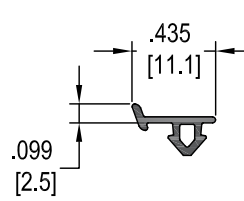


Fixed-Lite Glazing Spline  
(for 7/8 in Glass)

**864992** BLK



BOX



Fixed-Lite Glazing Spline  
(for 1 in Glass)

**601575** BLK

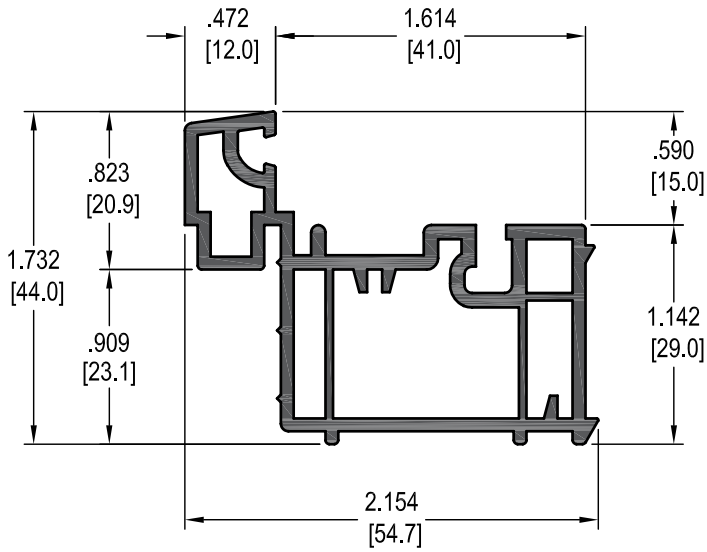


BOX

# REHAU WINDOW SYSTEM 700

## PROFILE PRINT

### Supplementary Profiles



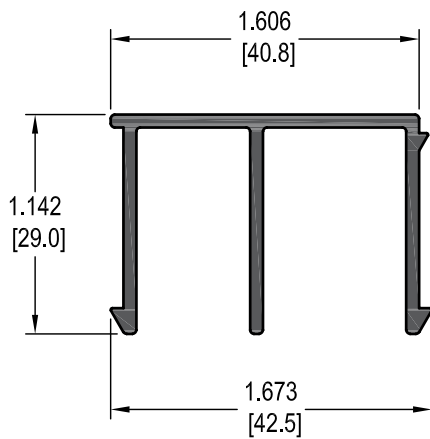
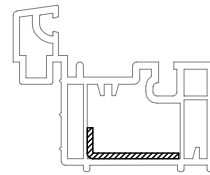
#### DS Fixed-Lite Filler

**658011** WHT BG CLAY

	RACK	---	---
	---	---	---
	PACK	PACK	PACK*

24.2 mm x 8.2 mm

	<b>601415-991</b>
	0.059 in (1.5 mm)
Ix	0.0067 in <sup>4</sup> (0.28 cm <sup>4</sup> )
Iy	0.0002 in <sup>4</sup> (0.01 cm <sup>4</sup> )
	PACK



#### SS / DS Sash Pocket Filler

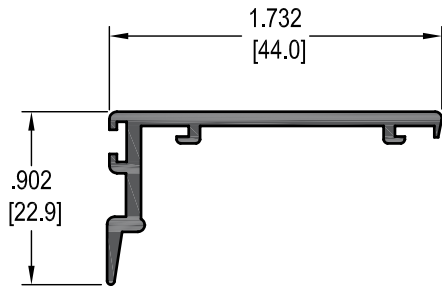
**658021** WHT BG CLAY

	RACK	---	---
	---	---	---
	PACK	PACK	PACK*


# REHAU WINDOW SYSTEM 700


## PROFILE PRINT

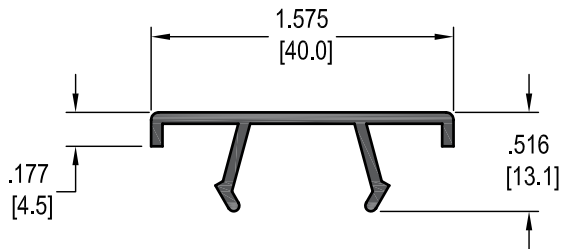
### Supplementary Profiles




Slide-on Interlock


**608703**  WHT  BG  CLAY 

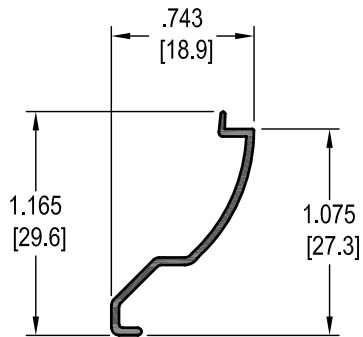
	---	---	---
---	---	---	---
PACK	PACK	PACK*	




Wide Sash Stop


**605703**  WHT  BG  CLAY 

	---	---	---
---	---	---	---
PACK	PACK	PACK*	



Flush Balance Cover

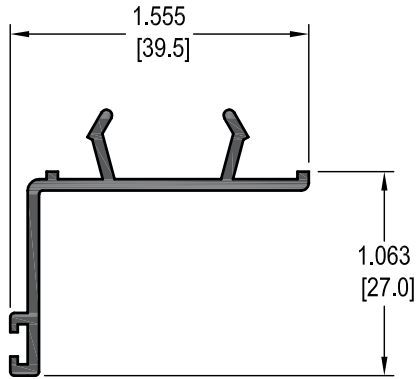
**600367**  WHT  BG  CLAY 

	---	---	---
---	---	---	---
PACK	PACK	PACK*	

# REHAU WINDOW SYSTEM 700

## PROFILE PRINT

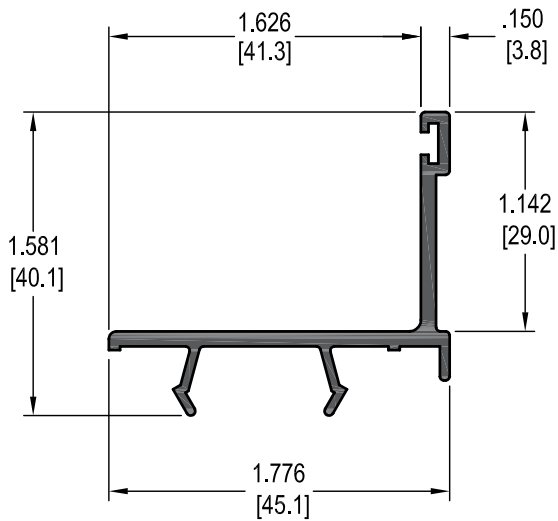
### Supplementary Profiles



DH Head Pocket Cover

**600237** WHT BG CLAY

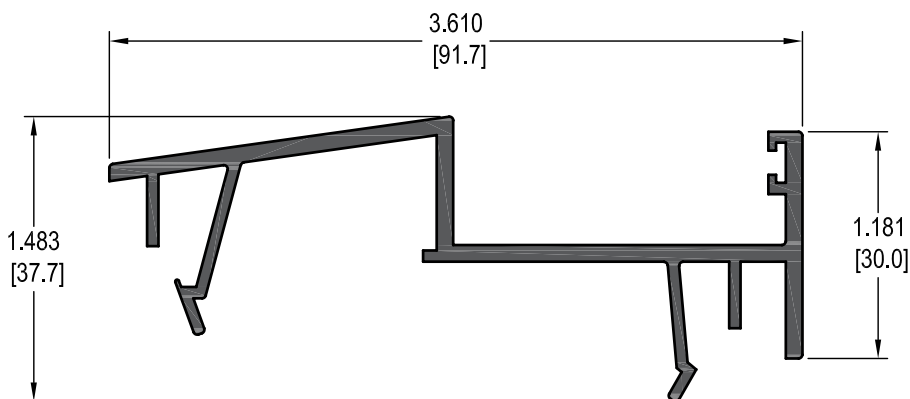
	---	---	---
	---	---	---
	PACK	PACK	PACK*



SH / DH Sill Insert

**245534** WHT BG CLAY

	---	---	---
	---	---	---
	PACK	PACK	PACK*



DH Snap-in Sill

**605693** WHT BG CLAY

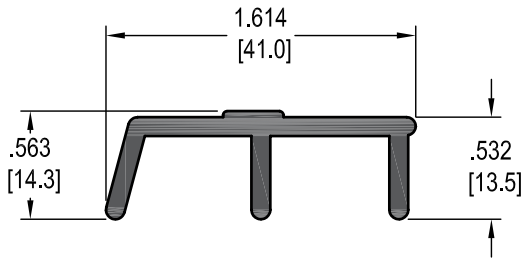
	---	---	---
	---	---	---
	PACK	PACK	PACK*



# REHAU WINDOW SYSTEM 700

## PROFILE PRINT

### Supplementary Profiles

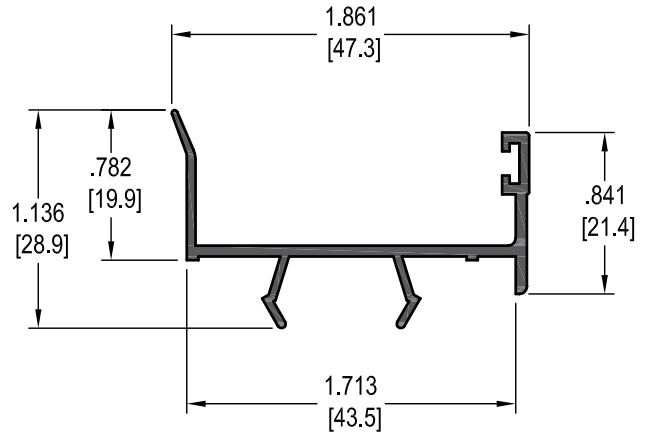


SS / DS Track

**605613** [WHT] [BG] [CLAY]



PACK PACK PACK\*

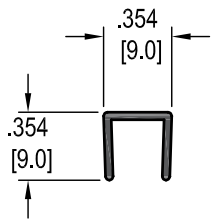


Tilt-Slide Jamb Pocket Cover

**608753** [WHT] [BG] [CLAY]



PACK PACK PACK\*

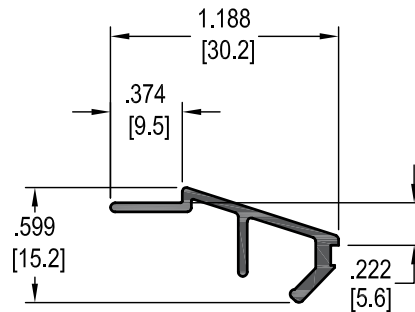


Screen Channel Spacer

**605543** [WHT] [BG] [CLAY]



PACK PACK PACK\*



SH / SS Screen Clip

**601425** [WHT] [BG] [CLAY]

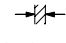
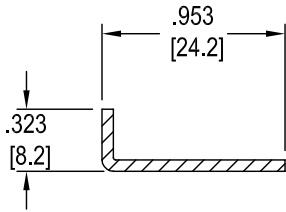
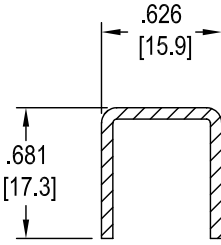
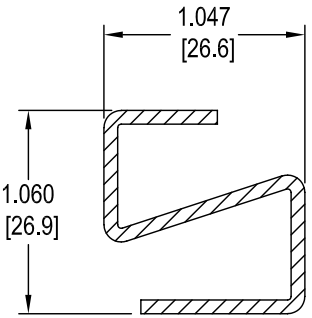
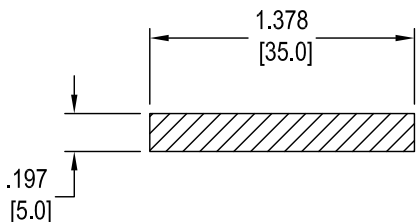
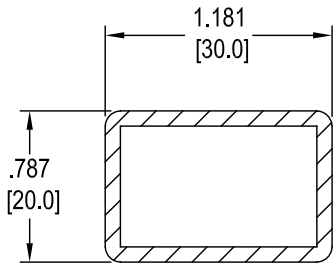


PACK PACK PACK\*

# REHAU WINDOW SYSTEM 700

## PROFILE PRINT

### Reinforcements

Reinforcement Diagram	Art. no.	Weight kg / m	 in (mm)	I <sub>x</sub> I <sub>x</sub> in <sup>4</sup> (I <sub>x</sub> cm <sup>4</sup> )	I <sub>y</sub> I <sub>y</sub> in <sup>4</sup> (I <sub>y</sub> cm <sup>4</sup> )
	<b>601415-991</b>	0.36	0.059 (1.5)	0.0067 (0.28)	0.0002 (0.01)
	<b>601585</b>	0.55	0.059 (1.5)	0.0070 (0.29)	0.0050 (0.21)
	<b>601405</b>	1.30	0.071 (1.8)	0.0430 (1.79)	0.0190 (0.79)
	<b>264306</b>	1.37	0.197 (5.0)	0.0430 (1.79)	0.0010 (0.04)
	<b>255924</b>	1.40	0.079 (2.0)	0.0500 (2.08)	0.0260 (1.08)

# REHAU WINDOW SYSTEM 700

## PROFILE PRINT

### Article List

Art. no.	Description	Unit of Measure	Pack Qty	Rack Qty	Carton / Box Qty	Page
245534	SH / DH Sill Inset	FT	520			<a href="#">14</a>
255924	Steel Reinforcement 30 x 20 x 2.0 mm	M	6			<a href="#">8/16</a>
264306	Steel Reinforcement 35 x 5.0 mm	M	6			<a href="#">8/16</a>
600175	Internal Common Glazing Stop	FT	950			<a href="#">11</a>
600237	DH Head Pocket Cover	FT	500			<a href="#">14</a>
600367	Flush Balance Cover	FT	500			<a href="#">13</a>
601385	Single-Hung Frame	FT	76	1330		<a href="#">2</a>
601405	Steel Reinforcement 26.6 x 26.9 x 1.8 mm	FT	20			<a href="#">10/16</a>
601415-991	Steel Reinforcement 24.2 x 8.2 x 1.5 mm	FT	20			<a href="#">2/3/4/5/6/7/12/16</a>
601425	SH / SS Screen Clip	FT	1000			<a href="#">15</a>
601435	Single-Slider Frame	FT	38	1140		<a href="#">3</a>
601395	SH / Transom (for Internally Glazed Sashes)	FT	80			<a href="#">10</a>
601525	Sash for 1 in Glazing	FT	114	5700		<a href="#">9</a>
601535	Sash for 7/8 in Glazing	FT	76	5320		<a href="#">9</a>
601575	Fixed-Lite Glazing Spline for 1 in Glass	FT	1640.42			<a href="#">11</a>
601585	Steel Reinforcement 15.9 x 17.3 x 1.5 mm	FT	20			<a href="#">9/16</a>
605543	Screen Channel Spacer	PC	1000			<a href="#">15</a>
605613	SS / DS Track	FT	380			<a href="#">15</a>
605683	Internal Lift-Rail Glazing Stop	FT	342			<a href="#">11</a>
605693	DH Snap-in Sill	FT	114			<a href="#">14</a>
605703	Wide Sash Stop	FT	400			<a href="#">13</a>
608703	Side-on Interlock	FT	380			<a href="#">13</a>
608753	Tilt / Slide Jamb Pocket Cover	FT	380			<a href="#">15</a>
619255	Double-Hung Frame	FT	76	1520		<a href="#">4</a>
619265	Double-Slider Frame	FT	76	1330		<a href="#">6</a>
619405	SH / SS Transom Attachment Bracket Set (LH/RH)	SET			250	<a href="#">10</a>
658001	SS / DS Pocket T-Mullion	FT	76			<a href="#">8</a>
658011	DS Fixed-Lite Filler	FT	40			<a href="#">12</a>
658021	SS / DS Sash Pocket Filler	FT	480			<a href="#">12</a>
719255	Double-Hung Frame (w/ Nail Fin)	FT	76	1520		<a href="#">5</a>
719265	Double-Slider Frame (w/ Nail Fin)	FT	76	1330		<a href="#">7</a>
864992	Fixed-Lite Glazing Spline for 7/8 in Glass	M	400			<a href="#">11</a>

# REHAU WINDOW SYSTEM 700

## PROFILE PRINT

Table of Colors

			Variant No								
			876	876	876	876	876	876	876	876	
			196	196	196	196	196	196	196	196	
			506	506	506	506	506	506	506	506	
			866	866	866	866	866	866	866	866	
			196	196	196	196	196	196	196	196	
			506	506	506	506	506	506	506	506	
			856	856	856	856	856	856	856	856	
			196	196	196	196	196	196	196	196	
			506	506	506	506	506	506	506	506	
			873	873	873	873	873	873	873	873	
			193	193	193	193	193	193	193	193	
			503	503	503	503	503	503	503	503	
			863	863	863	863	863	863	863	863	
			193	193	193	193	193	193	193	193	
			503	503	503	503	503	503	503	503	
			853	853	853	853	853	853	853	853	
			193	193	193	193	193	193	193	193	
			503	503	503	503	503	503	503	503	
			871	871	871	871	871	871	871	871	
			197	197	197	197	197	197	197	197	
			509	509	509	509	509	509	509	509	
			861	861	861	861	861	861	861	861	
			195	195	195	195	195	195	195	195	
			508	508	508	508	508	508	508	508	
			851	851	851	851	851	851	851	851	
			191	191	191	191	191	191	191	191	
			501	501	501	501	501	501	501	501	
Foil on Tower Side (A)	Clay	Silver D	Silver D								
		Midnight	Midnight								
		Bronze NA	Bronze NA								
			Silver D								
			Midnight								
			Bronze NA								
		Silver D	Silver D								
		Midnight	Midnight								
		Bronze NA	Bronze NA								
			Silver D								
			Midnight								
			Bronze NA								
Profile Base Color	Beige	Silver D	Silver D								
		Midnight	Midnight								
		Bronze NA	Bronze NA								
			Silver D								
			Midnight								
			Bronze NA								
		Silver D	Silver D								
		Midnight	Midnight								
		Bronze NA	Bronze NA								
			Silver D								
			Midnight								
			Bronze NA								
Foil on Rebate Side (B)	White	Silver D	Silver D								
		Midnight	Midnight								
		Bronze NA	Bronze NA								
			Silver D								
			Midnight								
			Bronze NA								
		Silver D	Silver D								
		Midnight	Midnight								
		Bronze NA	Bronze NA								
			Silver D								
			Midnight								
			Bronze NA								
Description	Art. no.	A	B	Single-Hung Frame	601385						
				Single-Slider Frame	601435						
				Double-Hung Frame	619255						
				Double-Hung Frame (w/ Nail Fin)	719255						
				Double-Slider Frame	619265						
				Double-Slider Frame (w/ Nail Fin)	719265						
				SS / DS Pocket T-Mullion	658001						
				1 in Internally Glazed Sash	601525						





For delivery and detailed information, please contact your regional REHAU Sales Representatives



# REHAU WINDOW SYSTEM 700

## PROFILE PRINT

Table of Colors

			Variant No											
Silver D	Clay	Silver D		876	876	876	876							
Midnight	Clay	Midnight		196	196	196	196							
Bronze NA	Clay	Bronze NA		506	506	506	506							
	Clay	Silver D		866	866	866	866							
	Clay	Midnight		196	196	196	196							
	Clay	Bronze NA		506	506	506	506							
Silver D	Clay			856	856	856	856							
Midnight	Clay			196	196	196	196							
Bronze NA	Clay			506	506	506	506							
Silver D	Beige	Silver D		873	873	873	873							
Midnight	Beige	Midnight		193	193	193	193							
Bronze NA	Beige	Bronze NA		503	503	503	503							
	Beige	Silver D		863	863	863	863							
	Beige	Midnight		193	193	193	193							
	Beige	Bronze NA		503	503	503	503							
Silver D	Beige			853	853	853	853							
Midnight	Beige			193	193	193	193							
Bronze NA	Beige			503	503	503	503							
Silver D	White	Silver D		871	871	871	871							
Midnight	White	Midnight		197	197	197	197							
Bronze NA	White	Bronze NA		509	509	509	509							
	White	Silver D		861	861	861	861							
	White	Midnight		195	195	195	195							
	White	Bronze NA		508	508	508	508							
Silver D	White			851	851	851	851							
Midnight	White			191	191	191	191							
Bronze NA	White			501	501	501	501							
Folled on Tower Side (A)	Profile Base Color	Folled on Rebate Side (B)	Description											
			Art. no.	601535	601495	658011	605693							
				B	B	B	B	B	B					
														
			A	A	A	A	A	A	A					

For delivery and detailed information, please contact your regional REHAU Sales Representatives









The information contained herein is believed to be reliable, but no representations, guarantees or warranties of any kind are made as to its accuracy, suitability for particular applications or the results to be obtained therefrom. Before using, the user will determine suitability of the information for user's intended use and shall assume all risk and liability in connection therewith.

© 2018 REHAU