

ÄSPEKT[®]











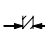

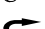

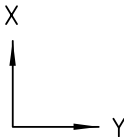





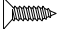
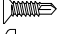

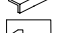

TECHNICAL INFORMATION

PROFILE PRINT

ÄSPEKT®

PROFILE PRINT

Legend

	Color: Black	
	Color: Grey	
	Color: Clay	
	Color: Beige	
	Color: White	
	Steel Galvanized	
	Aluminum Anodized	
	Random Color	
	Foiled	
	Packing unit (for details, see article table)	
	Wall thickness in / mm	
	Manually installed seal	
	Right-hand format	
	Left-hand format	
*	Non-standard, delivery time on request	
I_x	Moment of inertia in X direction in cm^4	
I_y	Moment of inertia in Y direction in cm^4	
	Affix with PVC adhesive, white profiles with adhesive 1251660/1251670, laminated profiles with solvent-free adhesive (e.g. Cosmofen 515, Weiss).	
	Seal with silicone	
	Seal with EPDM sealant	
	Affix with EPDM adhesive	
	Panhead sheet-metal screw ISO 7049	
	Countersunk sheet-metal screw ISO 7050	
	Countersunk tapping screw ISO 15482	
	Panhead tapping screw ISO 15481	
	Drilling and cutting jigs	
	Milling drawing	

ÄSPEKT®

PROFILE PRINT

Table of contents

Legend	II
3 1/2 in Vent Frame (w/ Nailing Fin, w/ Stucco Key), 659402	3
3 1/2 in Vent Frame (w/o Nailing Fin, w/ Stucco Key), 659403	4
3 1/2 in Vent Frame (w/ Nailing Fin, w/o Stucco Key), 659404	5
3 1/2 in Vent Frame (w/o Nailing Fin, w/o Stucco Key), 659405	6
3 1/4 in Vent Frame (w/ Nailing Fin), 659407	7
3 1/4 in Vent Frame (w/o Nailing Fin), 659408	8
3 3/8 in Vent Frame (w/ Nailing Fin), 659409	9
3 3/8 in Vent Frame (w/o Nailing Fin), 659419	10
3 1/4 in Small Picture Frame (w/ Nailing Fin), 659421	11
3 1/4 in Small Picture Frame (w/o Nailing Fin), 659411	12
3 3/8 in Small Picture Frame (w/ Nailing Fin), 659422	13
3 3/8 in Small Picture Frame (w/o Nailing Fin), 659412	14
Standard T-Mullion, 659413	15
Static T-Mullion, 659414	16
Standard Sash, 659401	17
T-Mullion Bracket, 659101	18
T-Mullion End Cap, 659102	18
T-Mullion Fixing Piece, 659105	18
T-Mullion Gasket No.1, 659121	19
T-Mullion Gasket No.2, 659122	19
T-Mullion Gasket No.3, 659123	19
Glazing Stop for 1 in Glass (Direct Set), TBD	20
Glazing Stop for 1 3/8 in Glass (Direct Set), TBD	20
Riser Profile for Glass (Direct Set), 659111	20
34.5 mm Glazing Stop (Height 26 mm), 533030	20
6.5 mm Glazing Stop, 508005	21
16.5 mm Glazing Stop, 560321	21
18.5 mm Glazing Stop, 560610	21
24.5 mm Glazing Stop, 533040	21
34.5 mm Glazing Stop, 561530	21
36.5 mm Glazing Stop, 560600	21
Setting Block for Glazing Shim (Used with 659401), 659113	22
Setting Block for Glazing Shim (Used with 659412 / 659422), 350474	22
Glazing Spline (Weldable, Replacement), 607457	22
Compression Seal (Replacement), 631312	22
Sash Clips (Male), 255602-301	22
Sash Clips (Female), 255602-201	22
Drill Jig 1 (for locate connector bottom holes), 659103	23
Drill Jig 2 (for locate connector top holes), 659104	23
Reinforcements, 659214	24
Reinforcements, 659213	24

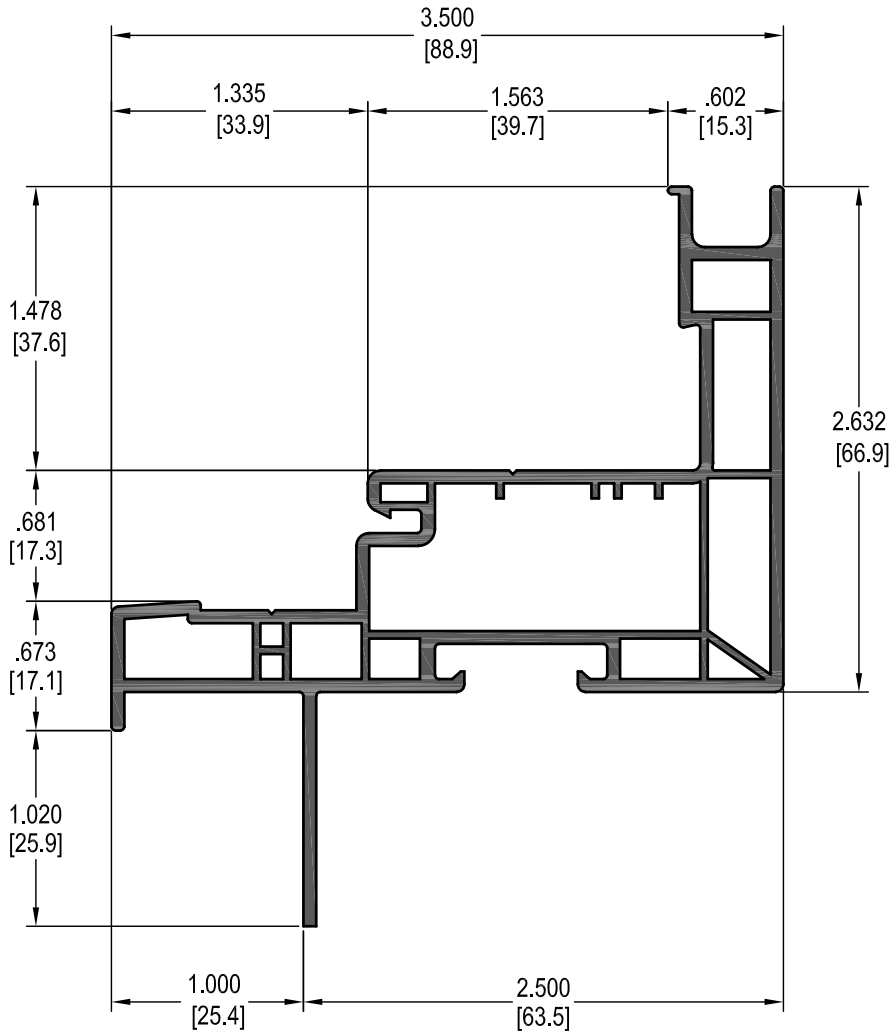
Table of contents

Reinforcements, 874291	24
Reinforcements, 659211	25
Reinforcements, 659215	25
Reinforcements, 659218	25
Article List	26
Tableau standard colors	a

ÄSPEKT®

PROFILE PRINT

Frames



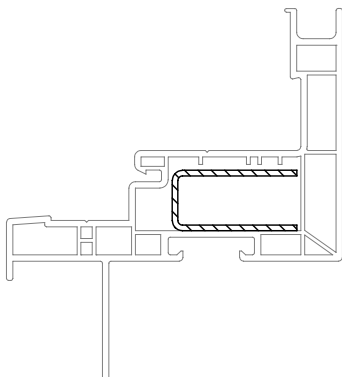
3 1/2 in Vent Frame
(with Nailing Fin, with Stucco Key)

659402 WHT BG CLAY

RACK RACK RACK

--- --- ---

PACK PACK PACK



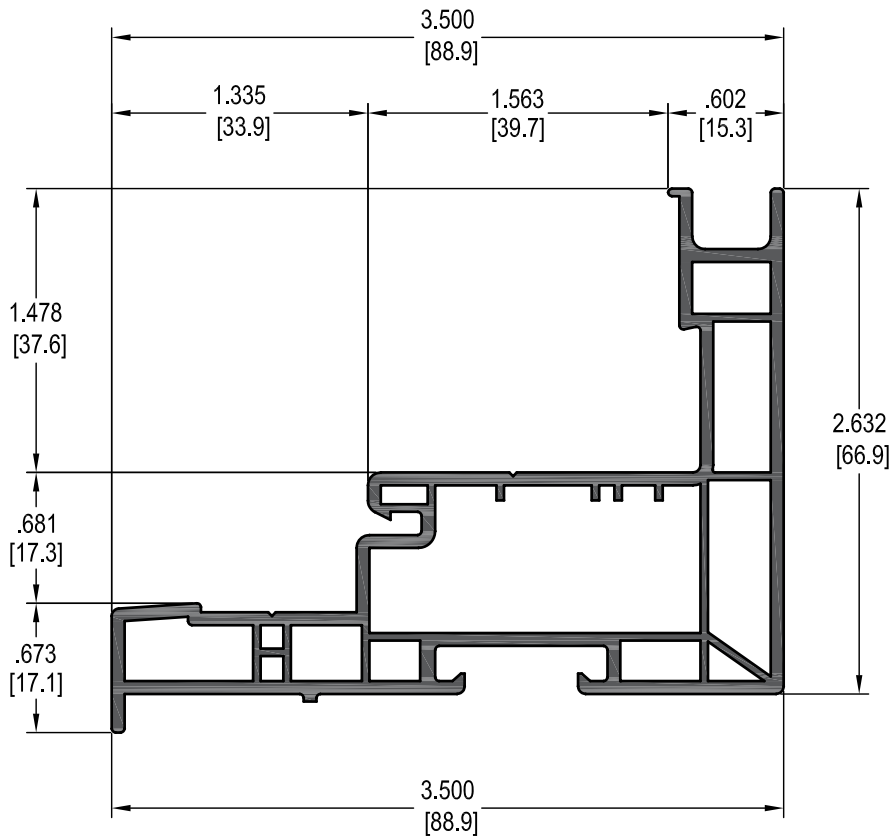
33 mm x 16 mm

659214	
	0.059 in (1.5 mm)
Ix	0.0303 in ⁴ (1.26 cm ⁴)
Iy	0.0127 in ⁴ (0.53 cm ⁴)
	PACK

ÄSPEKT®

PROFILE PRINT

Frames



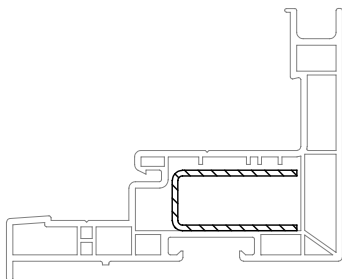
3 1/2 in Vent Frame
(without Nailing Fin, with Stucco Key)

659403 WHT BG CLAY

RACK RACK RACK

--- --- ---

PACK PACK PACK



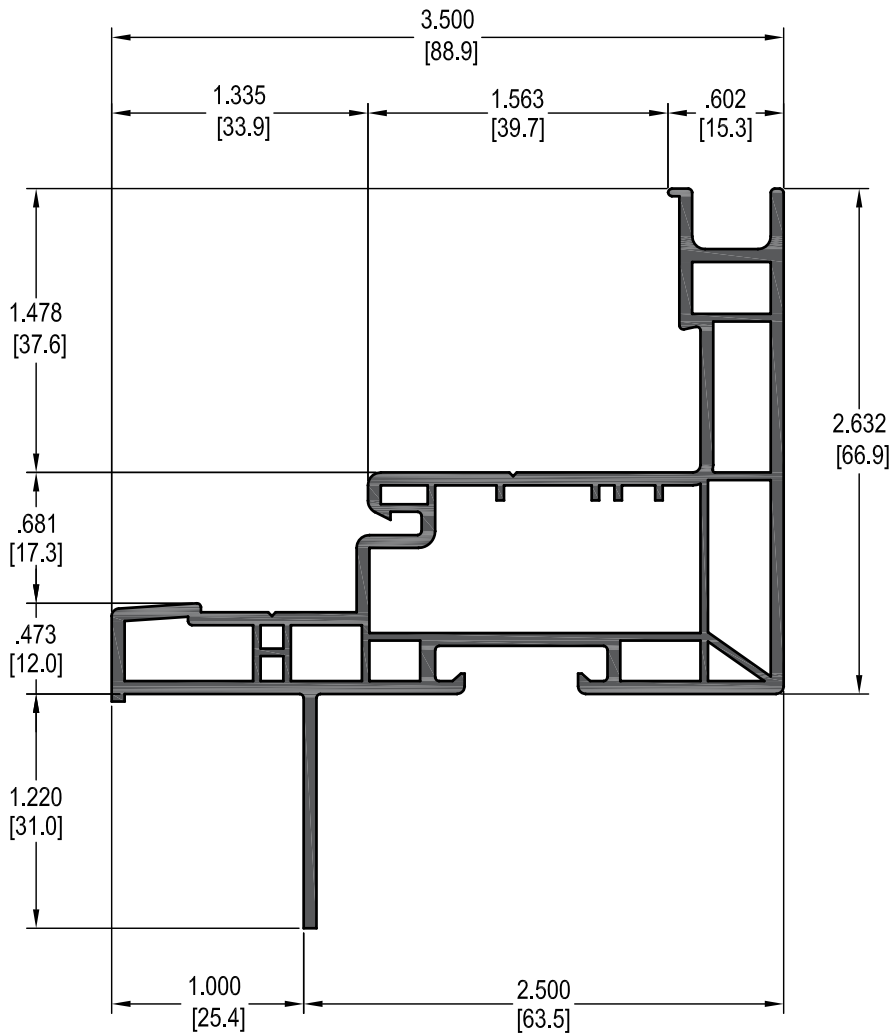
33 mm x 16 mm

659214	
	0.059 in (1.5 mm)
Ix	0.0303 in ⁴ (1.26 cm ⁴)
Iy	0.0127 in ⁴ (0.53 cm ⁴)
	PACK

ÄSPEKT®

PROFILE PRINT

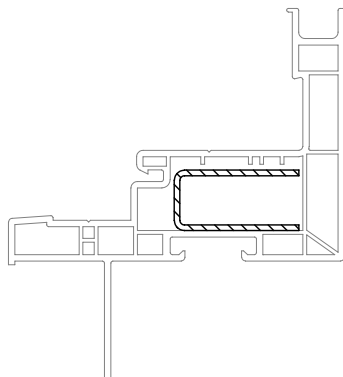
Frames



3 1/2 in Vent Frame
 (with Nailing Fin, without Stucco Key)

659404 WHT BG CLAY

RACK RACK RACK
 --- --- ---
 PACK PACK PACK



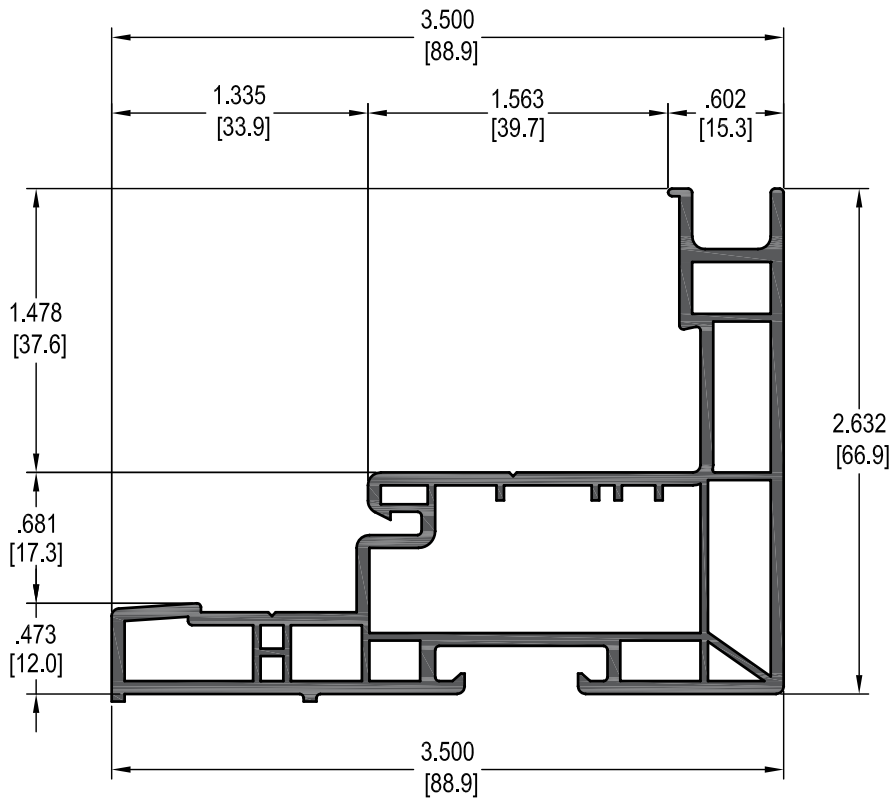
33 mm x 16 mm

	659214
	0.059 in (1.5 mm)
lx	0.0303 in ⁴ (1.26 cm ⁴)
ly	0.0127 in ⁴ (0.53 cm ⁴)
	PACK

ÄSPEKT®

PROFILE PRINT

Frames



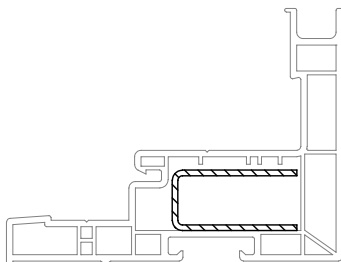
3 1/2 in Vent Frame
(without Nailing Fin, without Stucco Key)

659405 WHT BG CLAY

RACK RACK RACK

--- --- ---

PACK PACK PACK



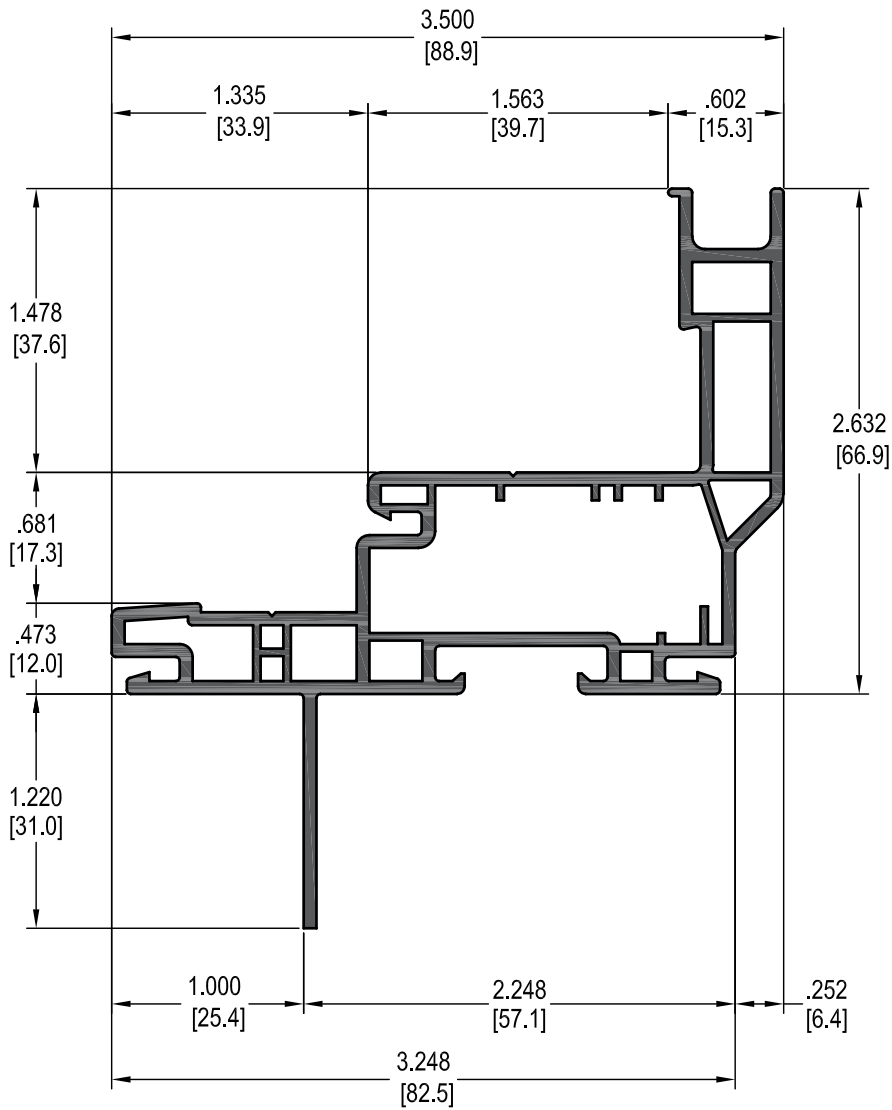
33 mm x 16 mm

659214	
	0.059 in (1.5 mm)
Ix	0.0303 in ⁴ (1.26 cm ⁴)
Iy	0.0127 in ⁴ (0.53 cm ⁴)
	PACK

ÄSPEKT®

PROFILE PRINT

Frames



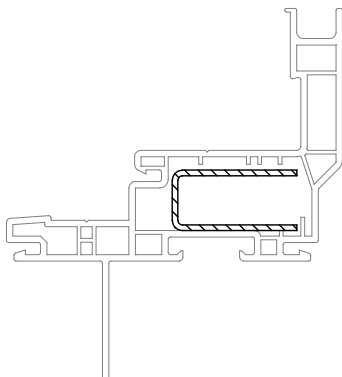
3 1/4 in Vent Frame
(with Nailing Fin)

659407 WHT BG CLAY

RACK RACK RACK

--- --- ---

PACK PACK PACK



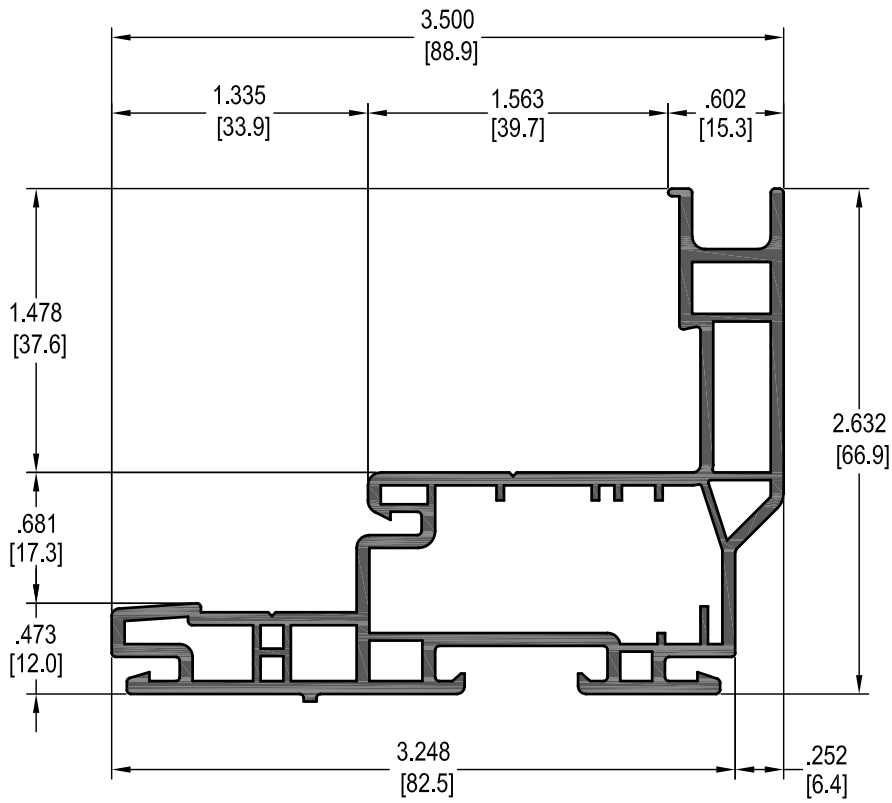
33 mm x 16 mm

659214	
	0.059 in (1.5 mm)
lx	0.0303 in ⁴ (1.26 cm ⁴)
ly	0.0127 in ⁴ (0.53 cm ⁴)
	PACK

ÄSPEKT®

PROFILE PRINT

Frames



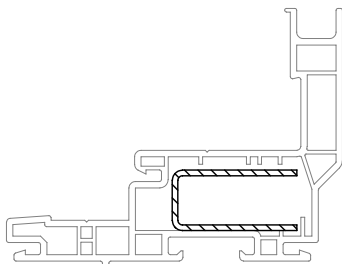
3 1/4 in Vent Frame
(without Nailing Fin)

659408 WHT BG CLAY

RACK RACK RACK

--- --- ---

PACK PACK PACK



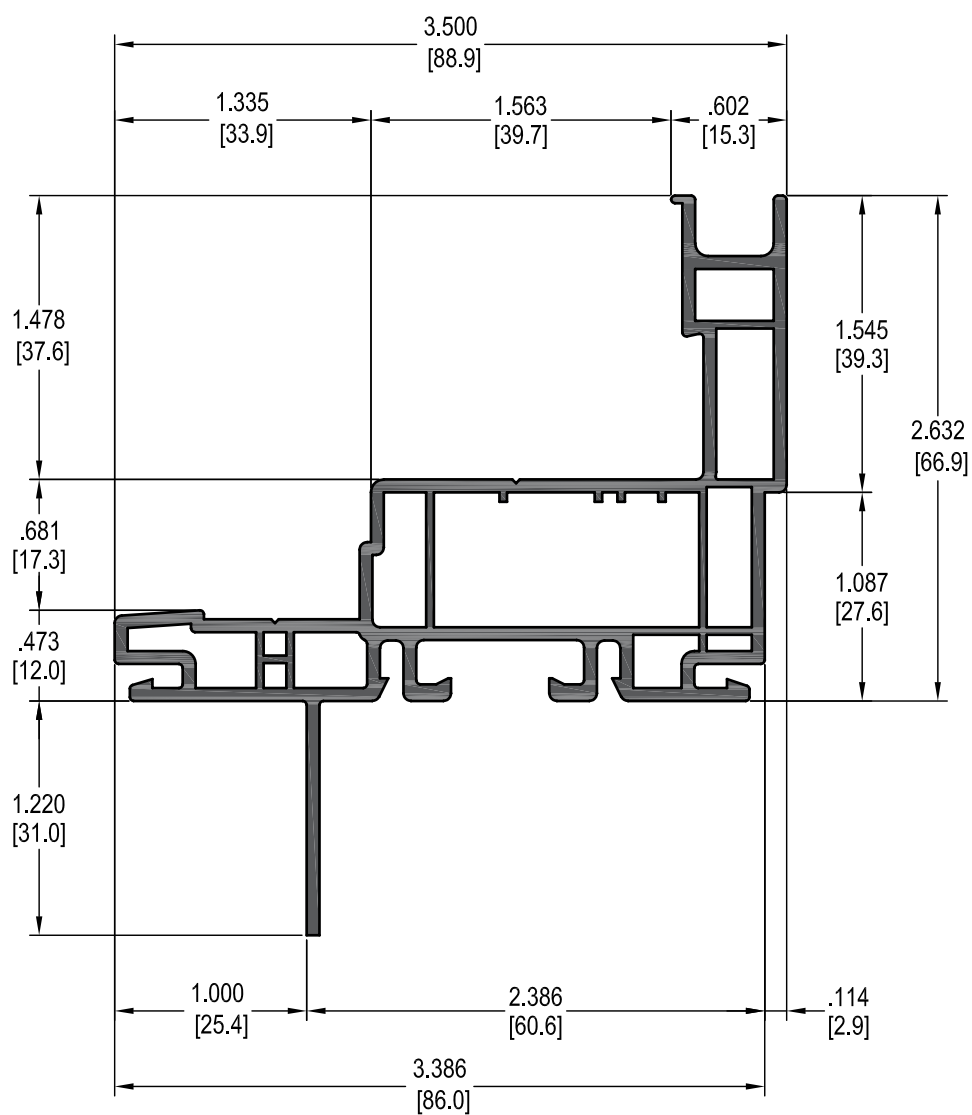
33 mm x 16 mm

659214	
	0.059 in (1.5 mm)
Ix	0.0303 in ⁴ (1.26 cm ⁴)
Iy	0.0127 in ⁴ (0.53 cm ⁴)
	PACK

ÄSPEKT®

PROFILE PRINT

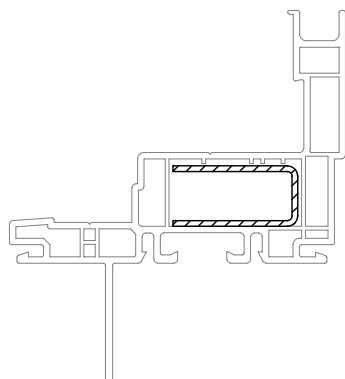
Frames



3 3/8 in Vent Frame
 (with Nailing Fin)

659409 WHT BG CLAY

RACK RACK RACK
 --- --- ---
 PACK PACK PACK



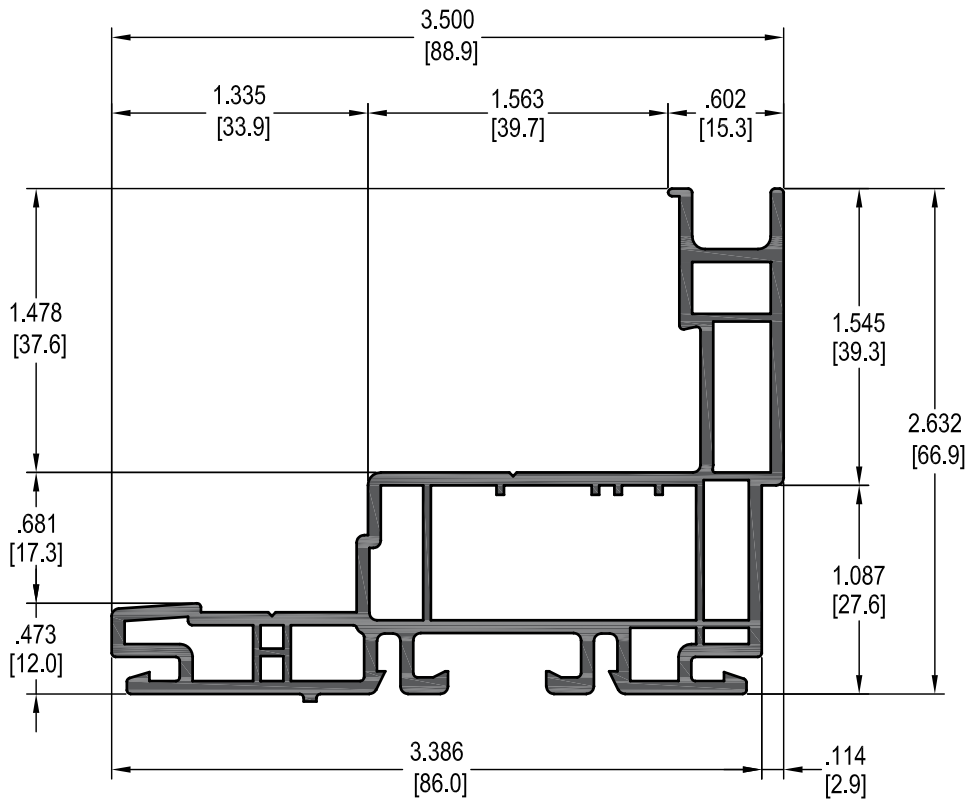
33 mm x 16 mm

659214	
	0.059 in (1.5 mm)
lx	0.0303 in ⁴ (1.26 cm ⁴)
ly	0.0127 in ⁴ (0.53 cm ⁴)
	PACK

ÄSPEKT®

PROFILE PRINT

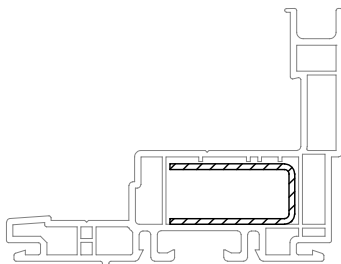
Frames



3 3/8 in Vent Frame
(without Nailing Fin)

659419 WHT BG CLAY

	RACK	RACK	RACK
	---	---	---
	PACK	PACK	PACK



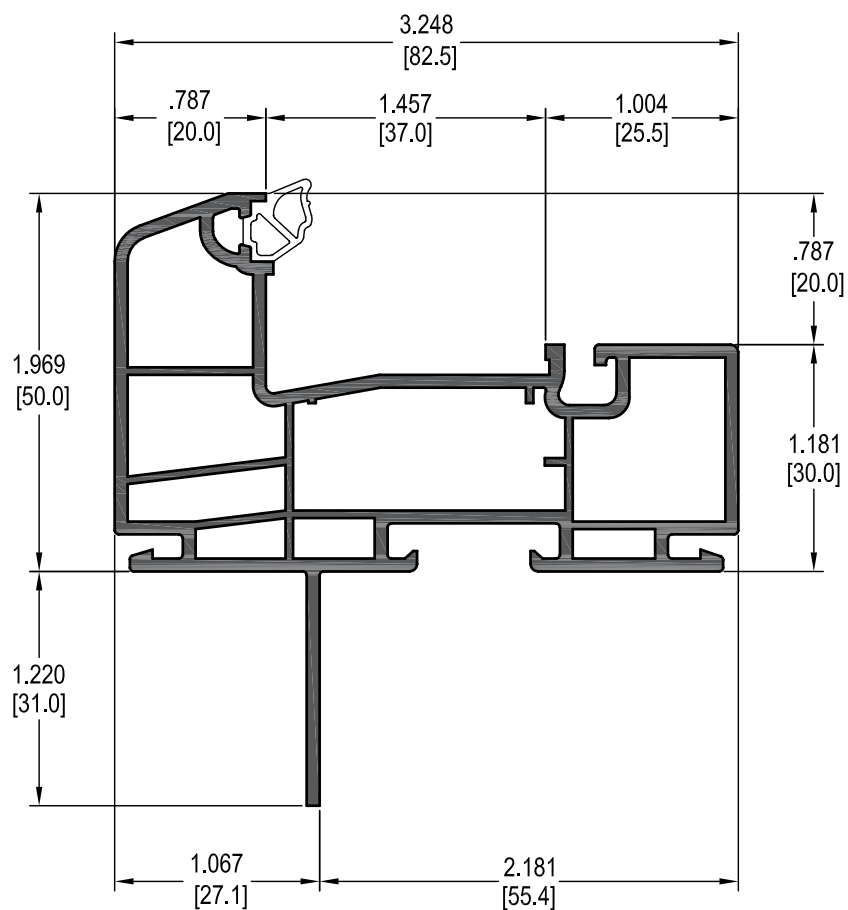
33 mm x 16 mm

659214	
	0.059 in (1.5 mm)
Ix	0.0303 in ⁴ (1.26 cm ⁴)
Iy	0.0127 in ⁴ (0.53 cm ⁴)
	PACK

ÄSPEKT®

PROFILE PRINT

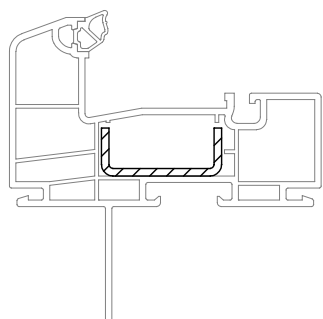
Frames



3 1/4 in Small Picture Frame
 (with Nailing Fin)

659421 WHT BG CLAY

RACK RACK RACK
 --- --- ---
 PACK PACK PACK



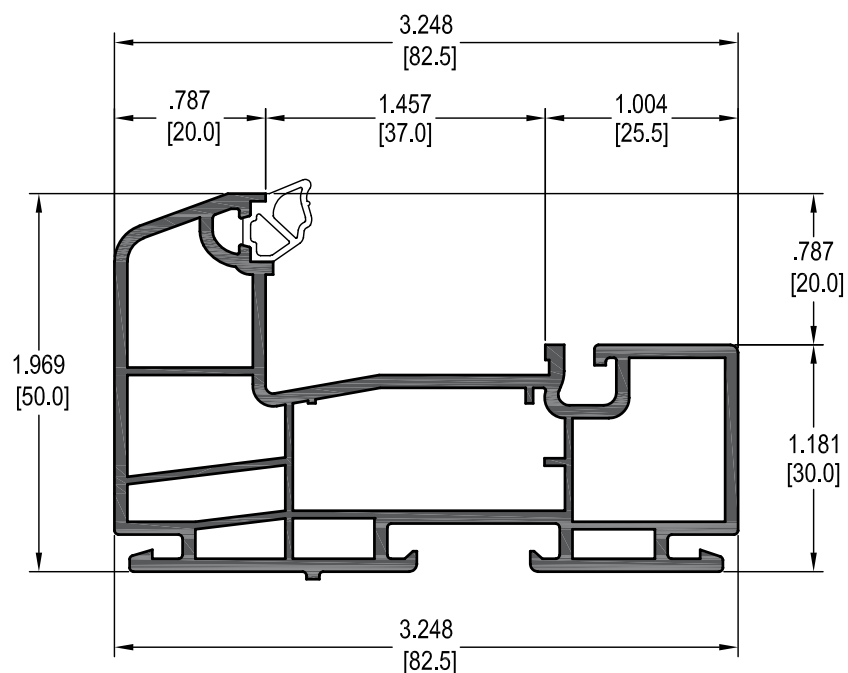
31.8 mm x 12.7 mm

	874291
	0.079 in (2.0 mm)
Ix	0.0339 in ⁴ (1.41 cm ⁴)
Iy	0.0034 in ⁴ (0.14 cm ⁴)
	PACK


ÄSPEKT®


PROFILE PRINT

Frames



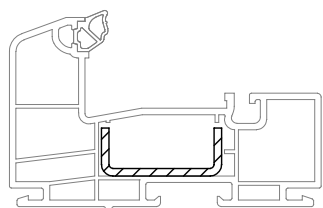
3 1/4 in Small Picture Frame
(without Nailing Fin)

659411 WHT BG CLAY 

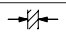

 RACK RACK RACK

--- --- ---

PACK PACK PACK



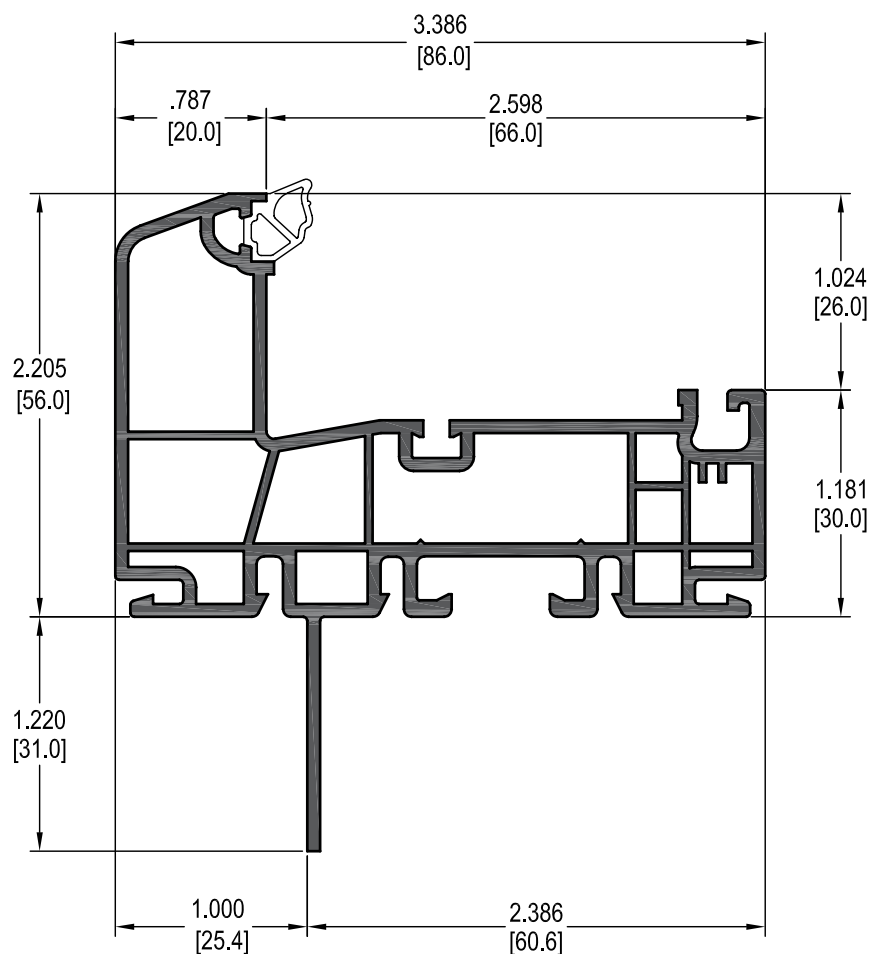
31.8 mm x 12.7 mm

874291	
	0.079 in (2.0 mm)
Ix	0.0339 in ⁴ (1.41 cm ⁴)
Iy	0.0034 in ⁴ (0.14 cm ⁴)
	PACK

ÄSPEKT®

PROFILE PRINT

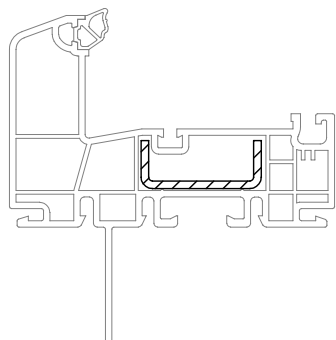
Frames



3 3/8 in Small Picture Frame
(with Nailing Fin)

659422 WHT BG CLAY

RACK RACK RACK
--- --- ---
PACK PACK PACK



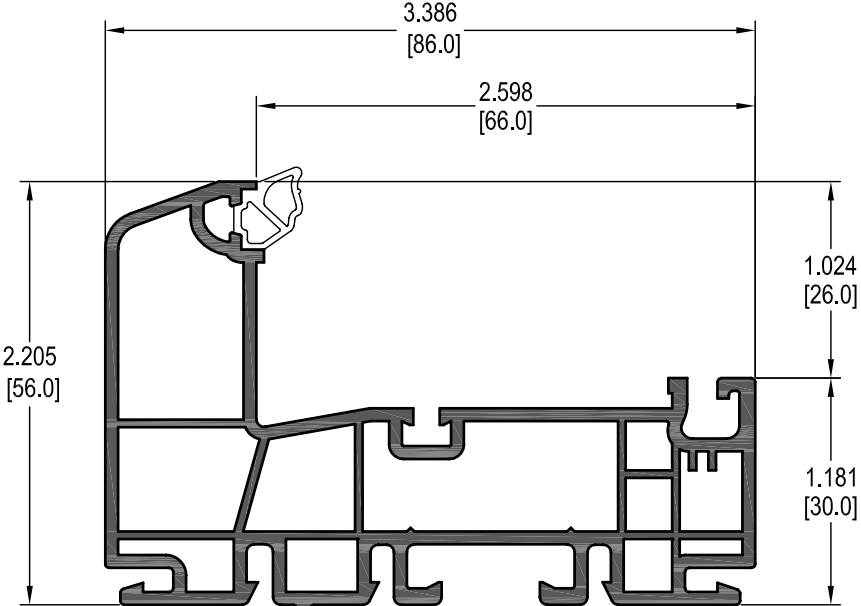
31.8 mm x 12.7 mm

874291	
	0.079 in (2.0 mm)
Ix	0.0339 in ⁴ (1.41 cm ⁴)
Iy	0.0034 in ⁴ (0.14 cm ⁴)
	PACK

ÄSPEKT®

PROFILE PRINT

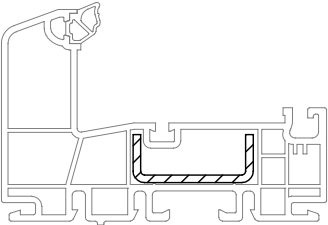
Frames





3 3/8 in Small Picture Frame
(without Nailing Fin)

659412 WHT BG CLAY

 RACK RACK RACK
--- --- ---
PACK PACK PACK



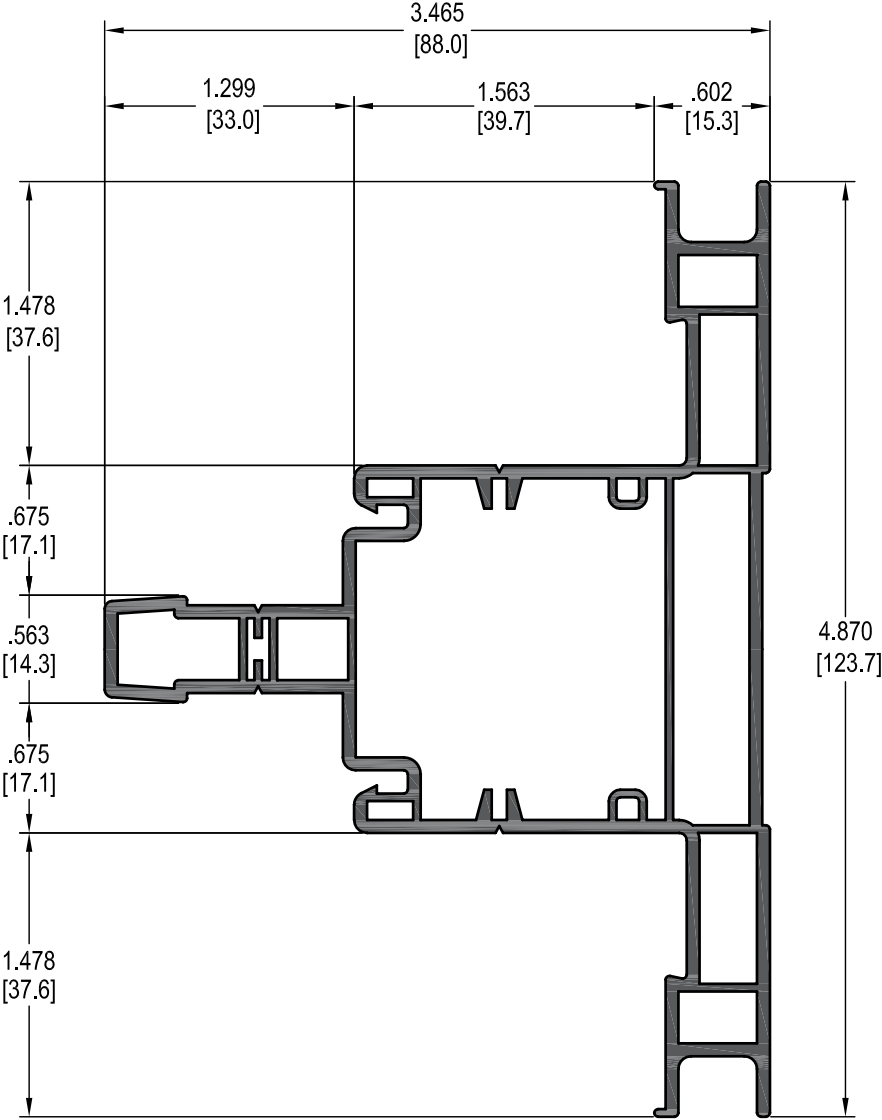
31.8 mm x 12.7 mm

	874291
	0.079 in (2.0 mm)
lx	0.0339 in ⁴ (1.41 cm ⁴)
ly	0.0034 in ⁴ (0.14 cm ⁴)
	PACK

ÄSPEKT®

PROFILE PRINT

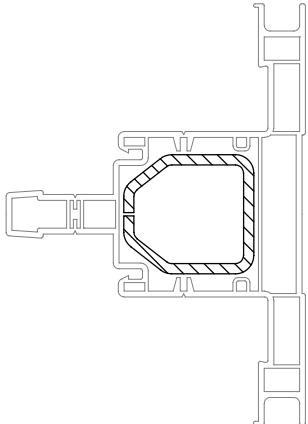
Mullion



Standard T-Mullion

659413 WHT BG CLAY

RACK RACK RACK
 --- --- ---
 PACK PACK PACK



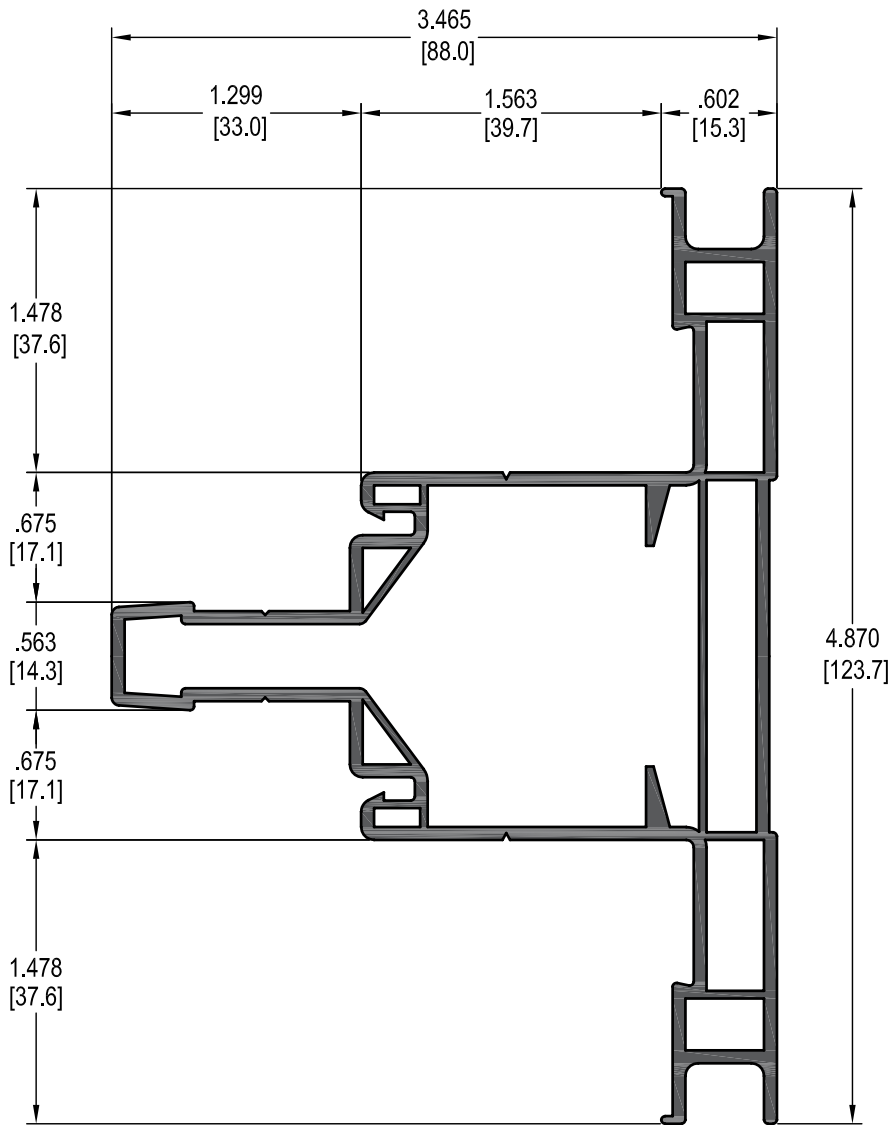
38.2 mm x 35 mm

	659211
	0.118 in (3.0 mm)
I_x	0.1499 in ⁴ (6.24 cm ⁴)
I_y	0.1329 in ⁴ (5.53 cm ⁴)
	PACK

ÄSPEKT®

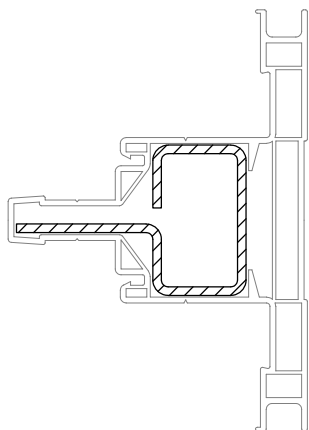
PROFILE PRINT

Mullion



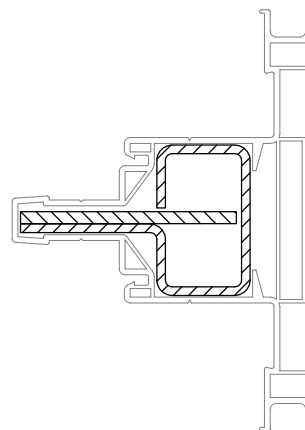
Static T-Mullion

659414	WHT	BG	CLAY	
	RACK	RACK	RACK	
	---	---	---	
	PACK	PACK	PACK	



67.5 mm x 44.2 mm

	659215
	0.098 in (2.5 mm)
ix	0.3299 in ⁴ (13.73 cm ⁴)
ly	0.1874 in ⁴ (7.80 cm ⁴)
	PACK



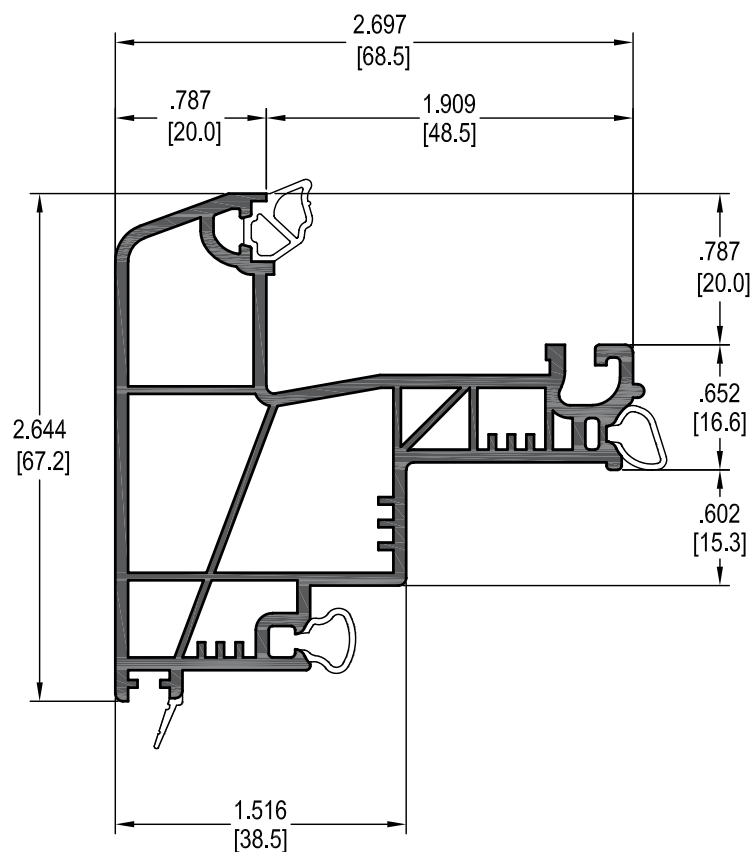
67.5 mm x 44.2 mm

	659215 + 659218
	0.138 in (3.5 mm)
ix	0.5094 in ⁴ (21.20 cm ⁴)
ly	0.1879 in ⁴ (7.82 cm ⁴)
	PACK

ÄSPEKT®

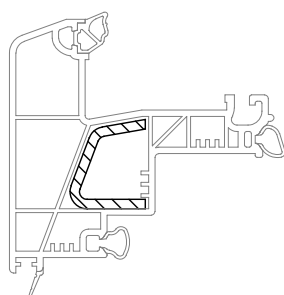
PROFILE PRINT

Sash



Standard Sash

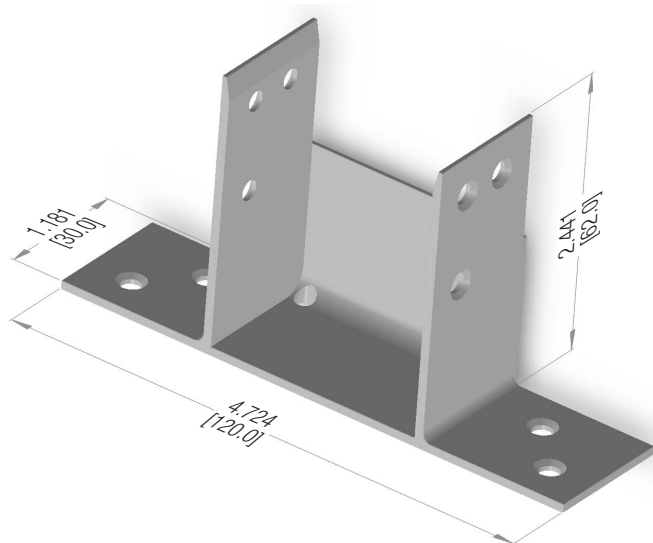
659401	WHT	BG	CLAY	
	RACK	RACK	RACK	
	---	---	---	
	PACK	PACK	PACK	



19.9 mm x 23.7 mm

	659213
	0.098 in (2.5 mm)
lx	0.0091 in ⁴ (0.38 cm ⁴)
ly	0.0221 in ⁴ (0.92 cm ⁴)
	PACK

Mechanical Joints

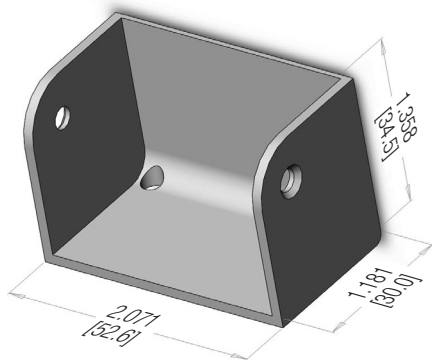


T-Mullion Bracket

659101 



BOX

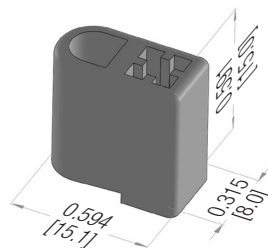


T-Mullion End Cap

659102 



BOX



T-Mullion Fixing Piece

659105 

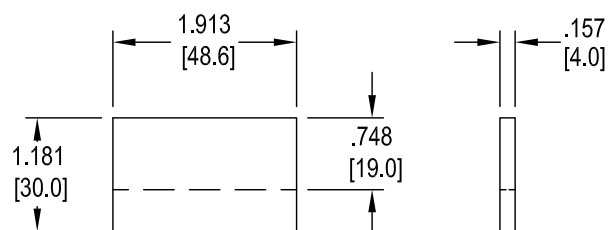


BOX

ÄSPEKT®

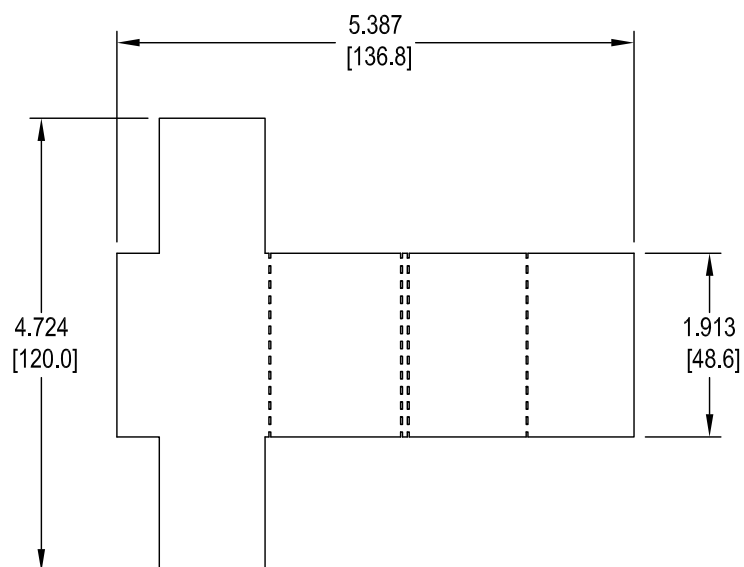
PROFILE PRINT

Mechanical Joints



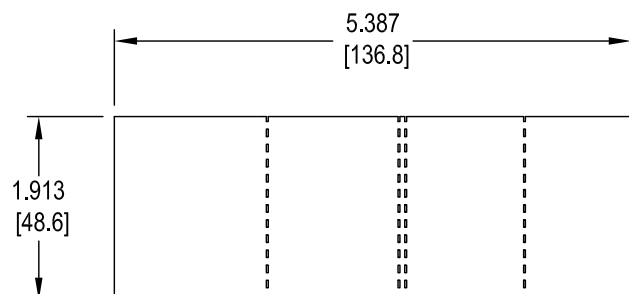
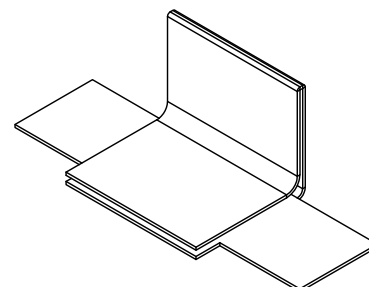
T-Mullion Gasket No.1
(used with 659101 / 659102)

659121 **BLK**



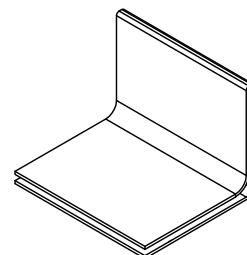
T-Mullion Gasket No.2
(used with 659101)

659122 **BLK**



T-Mullion Gasket No.3
(used with 659102)

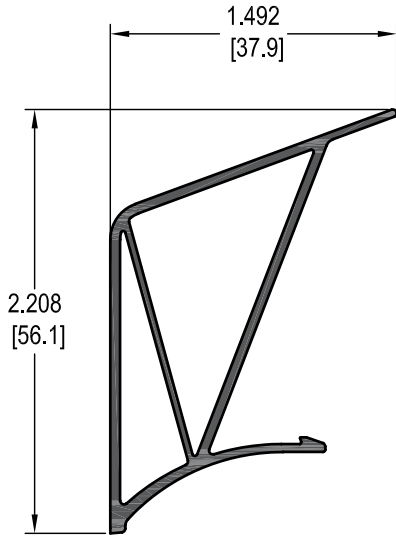
659123 **BLK**



ÄSPEKT®

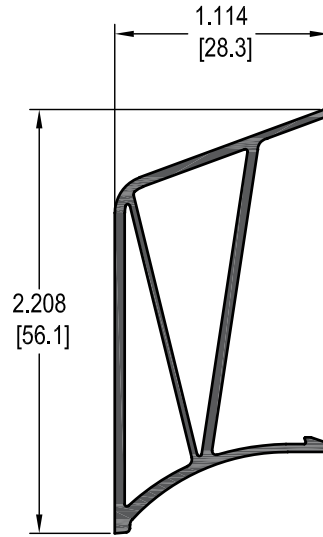
PROFILE PRINT

Glazing Stops



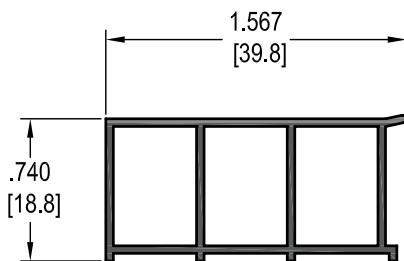
Glazing Stop for 1 in Glass
(Direct Set) **Late availability**

TBD	<input type="checkbox"/> WHT	<input type="checkbox"/> BG	<input type="checkbox"/> CLAY	
	RACK	RACK	RACK	
	---	---	---	
	PACK	PACK	PACK	



Glazing Stop for 1 3/8 in Glass
(Direct Set) **Late availability**

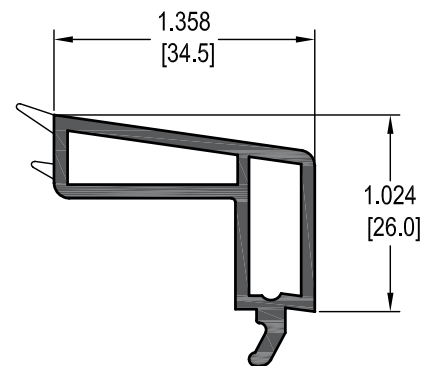
TBD	<input type="checkbox"/> WHT	<input type="checkbox"/> BG	<input type="checkbox"/> CLAY	
	RACK	RACK	RACK	
	---	---	---	
	PACK	PACK	PACK	



Riser Profile for Glass
(Direct Set)

659111	<input type="checkbox"/> WHT
	RACK

	PACK



34.5 mm Glazing Stop (Height 26 mm)

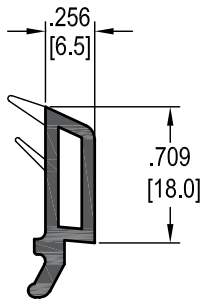
533030	<input type="checkbox"/> WHT	

	PACK	

ÄSPEKT®

PROFILE PRINT

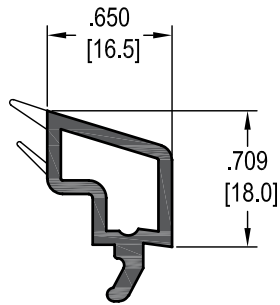
Glazing Stops



6.5 mm Glazing Stop

508005 WHT BG CLAY 

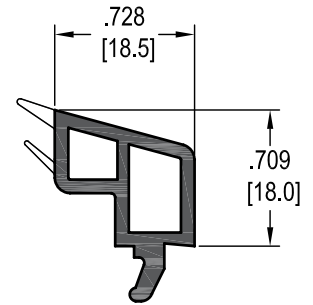
 --- --- ---
 --- --- ---
 PACK PACK PACK



16.5 mm Glazing Stop

560321 WHT BG CLAY 

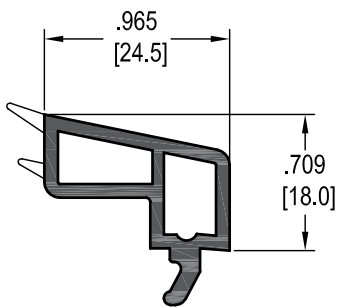
 --- --- ---
 --- --- ---
 PACK PACK PACK



18.5 mm Glazing Stop

560610 WHT BG CLAY 

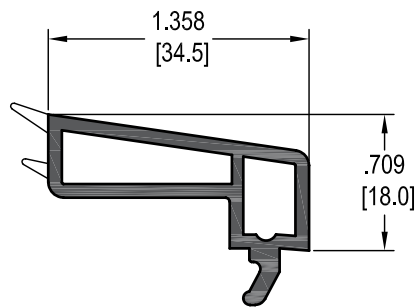
 --- --- ---
 --- --- ---
 PACK PACK PACK



24.5 mm Glazing Stop

533040 WHT

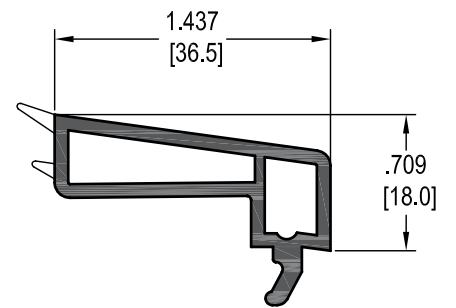
 --- --- ---
 --- --- ---
 PACK*



34.5 mm Glazing Stop

561530 WHT 

 --- --- ---
 --- --- ---
 PACK



36.5 mm Glazing Stop

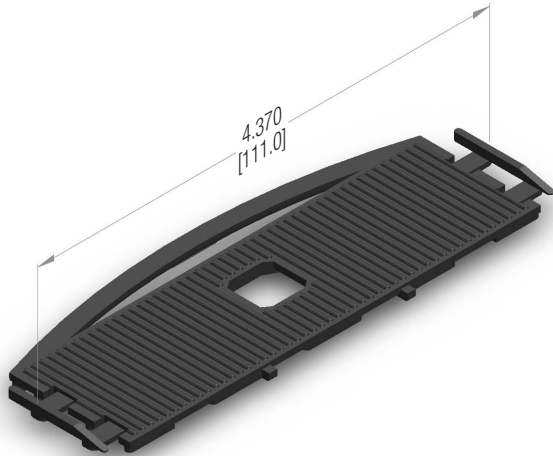
560660 WHT 

 --- --- ---
 --- --- ---
 PACK*

ÄSPEKT®

PROFILE PRINT

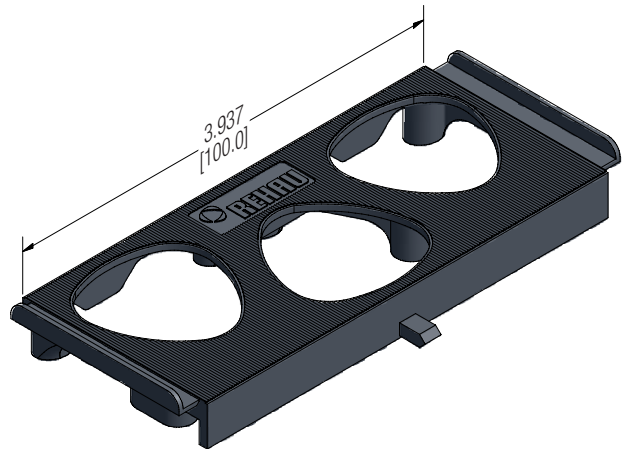
Setting Block / Splines / Accessories



Setting Block for Glazing Shim
(Used with 659401)

659113

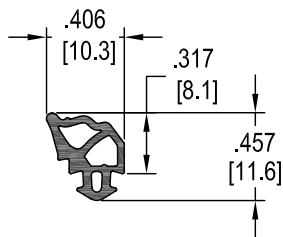
BOX



Setting Block for Glazing Shim
(Used with 659412 / 659422)

350474

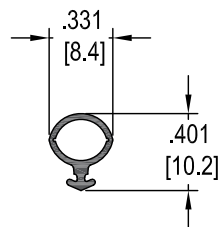
BOX



Glazing Spline (Weldable)
(Replacement)

607457

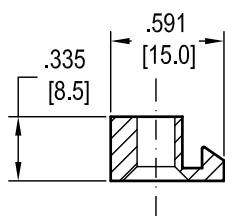
BOX



Compression Seal
(Replacement)

631312

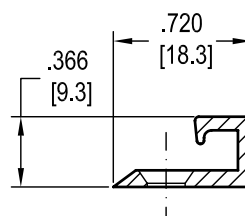
BOX



Sash Clips (Male)

255602-301

BOX

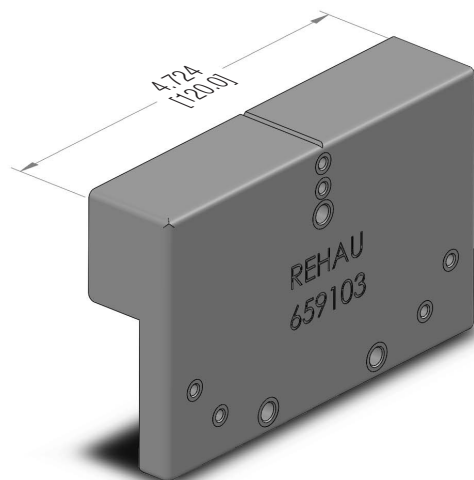


Sash Clips (Female)

255602-201


BOX

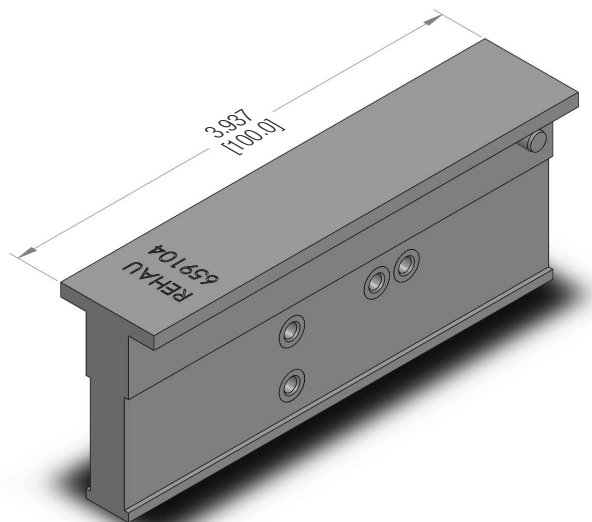
Jigs



Drill Jig 1
(To locate connector bottom holes)

659103 

 BOX*

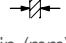
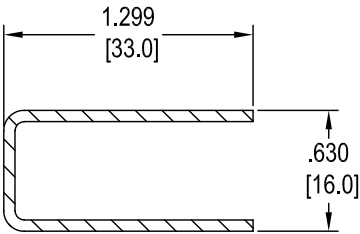
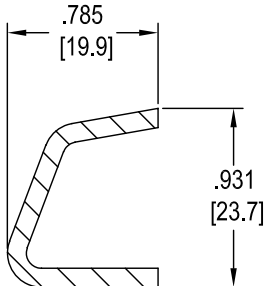
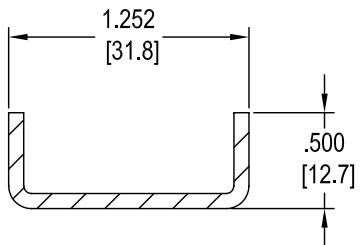
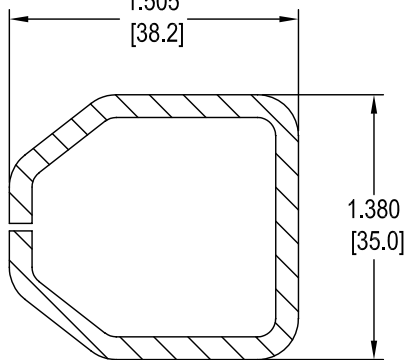


Drill Jig 2
(To locate connector top holes)

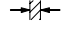
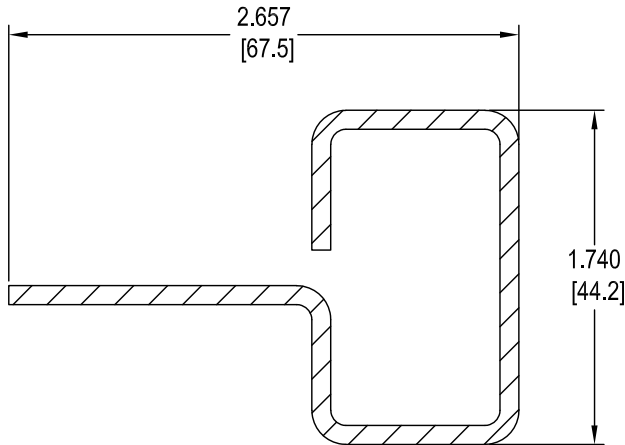
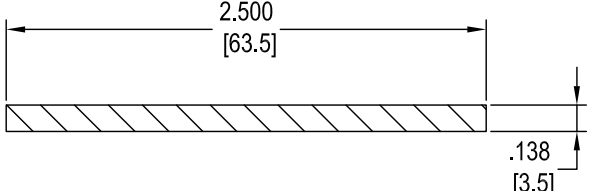
659104 

 BOX*

Reinforcements

Reinforcement Diagram	Art. no.	Weight kg / m	 in (mm)	I _x I _x in ⁴ (I _x cm ⁴)	I _y I _y in ⁴ (I _y cm ⁴)
	659214	0.91	0.059 (1.5)	0.0303 (1.26)	0.0127 (0.53)
	659213	0.98	0.098 (2.5)	0.0091 (0.38)	0.0221 (0.92)
	874291	0.81	0.079 (2.0)	0.0339 (1.41)	0.0034 (0.14)
	659211	2.78	0.118 (3.0)	0.1499 (6.24)	0.1329 (5.53)

Reinforcements

Reinforcement Diagram	Art. no.	Weight kg / m	 in (mm)	I _x I _x in ⁴ (I _x cm ⁴)	I _y I _y in ⁴ (I _y cm ⁴)
	659215	3.17	0.098 (2.5)	0.3299 (13.73)	0.1874 (7.80)
	659218	1.74	0.138 (3.5)	0.1795 (7.47)	0.0005 (0.02)

ÄSPEKT®

PROFILE PRINT

Article List

Art. no.	Description	Unit of Measure	Pack Qty	Rack Qty	Carton / Box Qty	Page
255602-201	Sash Clips (Female)	PC			1000	22
255602-301	Sash Clips (Male)	PC			1000	22
350474	Setting Block for Glazing Shim (Used with 659412 / 659422)	PC			250	22
508005	6.5 mm Glazing Stop	FT	456			21
533030	34.5 mm Glazing Stop (Height 26 mm)	M	144			20
533040	24.5 mm Glazing Stop	M	144			21
560321	16.5 mm Glazing Stop	M	144			21
560610	18.5 mm Glazing Stop	M	144			21
560660	36.5 mm Glazing Stop	M	144			21
561530	34.5 mm Glazing Stop	M	144			21
607457	Glazing Spline (Weldable, Replacement)	M			250	22
631312	Compression Seal (Replacement)	M			300	22
659101	T-Mullion Bracket	PC			100	18
659102	T-Mullion End Cap	PC			250	18
659103	Drill Jig 1 (To locate connector bottom holes)	PC			1	23
659104	Drill Jig 2 (To locate connector top holes)	PC			1	23
659105	T-Mullion Fixing Piece	PC			250	18
659111	Riser Profile for Glass (Direct Set)	FT	400			20
659113	Setting Block for Glazing Shim (Used with 659401)	PC			1000	22
659121	T-Mullion Gasket No.1	PC			180	19
659122	T-Mullion Gasket No.2	PC			240	19
659123	T-Mullion Gasket No.3	PC			277	19
659211	Steel Reinforcement 38.2 x 35 x 3.0 mm	FT	20			15/24
659213	Steel Reinforcement 19.9 x 23.7 x 2.5 mm	FT	20			17/24
659214	Steel Reinforcement 33 x 16 x 1.5 mm	FT	20			3/4/5/6/7/8/9/10/24
659215	Steel Reinforcement 65.5 x 44.2 x 2.5 mm	FT	20			16/25
659218	Steel Reinforcement 63.5 x 3.5 mm	FT	20			16/25
659401	Standard Sash	FT	76	1824		17
659402	3 1/2 in Vent Frame (w/ Nailing Fin, w/ Stucco Ksy)	FT	76	1140		3
659403	3 1/2 in Vent Frame (w/o Nailing Fin, w/ Stucco Ksy)	FT	76	1140		4
659404	3 1/2 in Vent Frame (w/ Nailing Fin, w/o Stucco Ksy)	FT	38	1140		5
659405	3 1/2 in Vent Frame (w/o Nailing Fin, w/o Stucco Ksy)	FT	38	1140		6
659407	3 1/4 in Vent Frame (w/ Nailing Fin)	FT	76	1140		7
659408	3 1/4 in Vent Frame (w/o Nailing Fin)	FT	76	1140		8
659409	3 3/8 in Vent Frame (w/ Nailing Fin)	FT	76	1140		9
659411	3 1/4 in Small Picture Frame (w/o Nailing Fin)	FT	76	1140		12
659412	3 3/8 in Small Picture Frame (w/o Nailing Fin)	FT	76	1140		14
659413	Standard T-Mullion	FT	38	912		15
659414	Static T-Mullion	FT	38	912		16
659419	3 3/8 in Vent Frame (w/o Nailing Fin)	FT	76	1140		10

ÄSPEKT®

PROFILE PRINT

Article List

Art. no.	Description	Unit of Measure	Pack Qty	Rack Qty	Carton / Box Qty	Page
659421	3 1/4 in Small Picture Frame (w/ Nailing Fin)	FT	76	1140		11
659422	3 3/8 in Small Picture Frame (w/ Nailing Fin)	FT	76	1140		13
874291	Steel Reinforcement 31.8 x 12.7 x 2.0 mm	FT	20			11/12/13/14/24
TBD	Glazing Stop for 1 in Glass (Direct Set) <i>Late availability</i>	FT				20
TBD	Glazing Stop for 1 3/8 in Glass (Direct Set) <i>Late availability</i>	FT				20

ÄSPEKT®

PROFILE PRINT

Table of colors

			Variant No							
Foiled on Tower Side (A)	Profile Base Color	Foiled on Rebate Side (B)	Description	Art. no.	A	B				
			3 1/4 in Small Picture Frame (w/ Nail Fin)	659421						
			3 1/4 in Small Picture Frame (w/o Nail Fin)	659411						
			3 3/8 in Small Picture Frame (w/ Nail Fin)	659422						
			3 3/8 in Small Picture Frame (w/o Nail Fin)	659412						
			Standard T-Mullion	659413						
			Static T-Mullion	659414						
Silver D	Clay	Silver D					876	876	876	876
Midnight	Clay	Midnight					196	196	196	196
Bronze NA	Clay	Bronze NA					506	506	506	506
	Clay	Silver D					866	866	866	866
	Clay	Midnight					196	196	196	196
	Clay	Bronze NA					506	506	506	506
Silver D	Clay						856	856	856	856
Midnight	Clay						196	196	196	196
Bronze NA	Clay						506	506	506	506
Silver D	Beige	Silver D					873	873	873	873
Midnight	Beige	Midnight					193	193	193	193
Bronze NA	Beige	Bronze NA					503	503	503	503
	Beige	Silver D					863	863	863	863
	Beige	Midnight					193	193	193	193
	Beige	Bronze NA					503	503	503	503
Silver D	Beige						853	853	853	853
Midnight	Beige						193	193	193	193
Bronze NA	Beige						503	503	503	503
Silver D	White	Silver D					871	871	871	871
Midnight	White	Midnight					197	197	197	197
Bronze NA	White	Bronze NA					509	509	509	509
	White	Silver D					861	861	861	861
	White	Midnight					195	195	195	195
	White	Bronze NA					508	508	508	508
Silver D	White						851	851	851	851
Midnight	White						191	191	191	191
Bronze NA	White						501	501	501	501









For delivery and detailed information, please contact your regional REHAU Sales Representatives.



ÄSPEKT®

PROFILE PRINT

Table of colors

Silver D	Clay			856	856	856	856	856	856	856	856	
Midnight	Clay			196	196	196	196	196	196	196	196	
Bronze NA	Clay			506	506	506	506	506	506	506	506	
Silver D	Beige			853	853	853	853	853	853	853	853	
Midnight	Beige			193	193	193	193	193	193	193	193	
Bronze NA	Beige			503	503	503	503	503	503	503	503	
Silver D	White			851	851	851	851	851	851	851	851	
Midnight	White			191	191	191	191	191	191	191	191	
Bronze NA	White			501	501	501	501	501	501	501	501	
Foiled on Profiles	Profile Base Color		Description	Standard Sash	Glazing Stop for 1 in Glass (Direct Set)	Glazing Stop for 1 3/8 in Glass (Direct Set)	6.5 mm Glazing Stop	16.5 mm Glazing Stop	18.5 mm Glazing Stop	24.5 mm Glazing Stop	34.5 mm Glazing Stop	
				Art. no.	659401	XXXXXX	XXXXXX	508005	560321	560610	533040	561530
												

For delivery and detailed information, please contact your regional REHAU Sales Representatives.



The information contained herein is believed to be reliable, but no representations, guarantees or warranties of any kind are made as to its accuracy, suitability for particular applications or the results to be obtained therefrom. Before using, the user will determine suitability of the information for user's intended use and shall assume all risk and liability in connection therewith.

© 2018 REHAU