









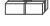





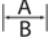

# REHAU WINDOW SYSTEM 4500

TECHNICAL INFORMATION  
PROFILE PRINT

# REHAU WINDOW SYSTEM 4500

## PROFILE PRINT

### Legend

	Color Black
	Color Clay
	Color Beige
	Color White
	Steel Anodized
	Aluminium Anodized
	Random Color
	Foiled Variant
	Packing (Detail see Artical List)
	Wall Thickness in Millimeters
	Manually Installed Gasket
	Right Hand Format
	Left Hand Format
$I_x$	Moment of Inertia Along X-Axis in $cm^4$
$I_y$	Moment of Inertia Along Y-Axis in $cm^4$
	
	A-Denotes Dimension in Inches B-Denotes Dimension in Millimeters
	Drill Jigs
*	Non-Standard

# REHAU WINDOW SYSTEM 4500

## PROFILE PRINT

### Table of Contents

Legend .....	2
3 1/4" Frame w/o Fin (601205) .....	6
3 1/4" Frame w/ Fin (601215) .....	7
Frame 68 (508001) .....	8
T-Mullion 68 (541030) .....	9
T-Mullion 86 (508004) .....	10
Static T-Mullion 86 (554004) .....	11
Sash Z60 (508002) .....	12
Sash Z74 (508003) .....	13
Sash T94 (541170) .....	14
Door Sash Z98 (541130) .....	15
Door Sash T118 (508000) .....	16
Astragal 62 (554230) .....	17
Astragal End Cap (229117 / 229107) .....	17
T-Mullion End Cap (for 508004) (254315) .....	18
Distance Piece (241043) .....	18
In-Swing Door Sub-Sill (601225) .....	19
Out-Swing Door Sub-Sill (601235) .....	19
Aluminum Threshold (260000) .....	19
End Cap for Aluminum Threshold (269632 / 269642) .....	19
Compensation Profile (541600) .....	20
Corner Post (560290) .....	21
Expansion Joint (560014) .....	22
Steel Installation Bracket 1 (246545) .....	22
Steel Installation Bracket 2 (246535) .....	23
Distance Block (246691) .....	23
Seal for Expansion (865520) .....	23
Drip Rail / Aluminum (227848) .....	24
Screen Track / Sliding (601295) .....	24
Drip Rail (561510) .....	24
Drip Rail End Cap (269470 / 269460) .....	24
Screw Retainer (264230) .....	24
Drip Rail Retainer (258523) .....	24
6.5 mm Glazing Stop (508005) .....	25
10.5 mm Glazing Stop (560590) .....	25
14.5 mm Glazing Stop (508006) .....	25
18.5 mm Glazing Stop (560610) .....	25
22.5 mm Glazing Stop (507001) .....	25

# REHAU WINDOW SYSTEM 4500

## PROFILE PRINT

### Table of Contents

22.5 mm Glazing Stop (560510)	25
30.5 mm Glazing Stop (561520)	25
14.5 mm Contoured Glazing Stop	25
Reinforcement Profile 1 (627061)	26
External Reinforcement Cover (560015)	26
Frame Extension 20 (561273)	27
Coupling Profile / Chambered (561892)	27
Coupling Profile / Flat (732460)	27
H-Connector / Chambered (560700)	27
Chambered Mullion Cover (619845)	28
Wide Frame Connector (600226)	28
Flush Frame Connector (600216)	28
4.8 mm Glazing Spline Nr.65 (864992)	29
5.8 mm Glazing Spline Nr.66 (865002)	29
6.8 mm Glazing Spline Nr.67 (865012)	29
7.8 mm Glazing Spline Nr.68 (865022)	29
2.5 mm Glazing Spline (601575)	29
Sash / Frame Seal (864952)	29
Astragal Seal (864940)	29
Door Threshold Seal (865070)	29
Door Threshold Seal / Inward (865570)	29
Cladding Profile (623651)	30
Seal for Bi-fold Door (865970)	30
Bi-fold Door Gasket (Package of 4) (865580)	30
Transport Setting Block (561780)	31
Screen Frame / Horizontal (600796)	31
Screen Frame / Vertical (600806)	31
Sealing Support (561007)	31
Rebate Levelling Profile (for Out-swing) (541220)	31
Shim Support (351164)	32
Drain Cover Cap (261582)	32
10 mm Drain Cover Cap (645594)	32
Drain Cover Cap (500544)	32
Sash Ramp (260555)	32
Weldable Corners / Z & T Door Sash (234300)	33
Weldable Corners Installation Tool (353616)	33
Mechanical Joint / Small T-Mullion (247618)	34
Mechanical Joint / Large T-Mullion (247608)	34

# REHAU WINDOW SYSTEM 4500

## PROFILE PRINT

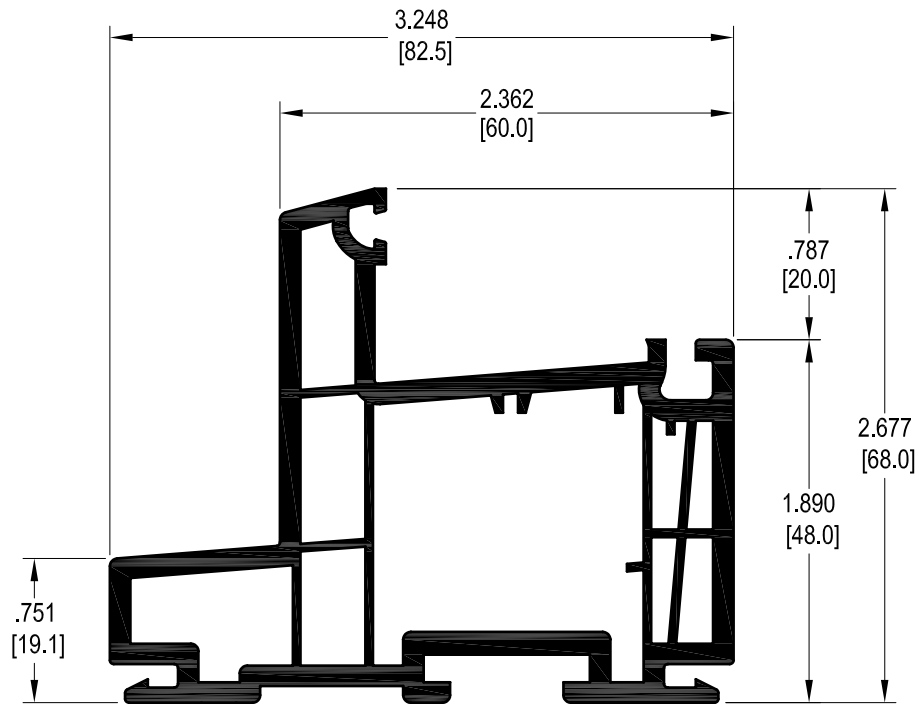
### Table of Contents

Zinc Mechanical Joint / Large T-Mullion (261758)	34
Static T-Mullion Bracket (554032)	35
Gasket for Static T-Mullion Bracket (554033)	35
Mechanical Joint / Large Door T-Sash (260243 / 260253)	36
6.6 mm Universal Fixture (268381)	36
Screws for Mechanical Joint 6.3 mm x 70 mm (260633)	36
Installation Strap / 6 Holes for NA Frame (255475)	37
Installation Strap / 7 Holes for NA Frame (254095)	37
Installation Strap / Swivelling for NA Frame (604625)	37
Installation Strap / 7 Holes for EU Frame (255485)	37
Drill Jig for Mechanical Joint / Frame (261907)	38
Drill Jig for Mechanical Joint / T-Mullion (268512)	38
Drill Jig for Aluminum Threshold 260000 (265993)	38
REHAU PVC Polish (252280)	39
Color Edging Pen (255805)	39
Reinforcement (244506)	40
Reinforcement (244536)	40
Reinforcement (237091)	40
Reinforcement (261801)	41
Reinforcement (554034)	41
Reinforcement (350193)	41
Reinforcement (238570)	41
Reinforcement (268742)	42
Reinforcement (251886)	42
Reinforcement (259894)	42
Reinforcement (350286)	43
Reinforcement (258881)	43
Reinforcement (252384)	43
Article List	44
Main Profile Colors	a - f

# REHAU WINDOW SYSTEM 4500

## PROFILE PRINT

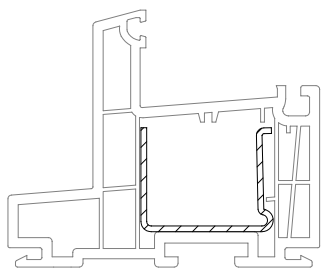
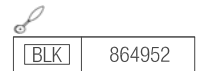
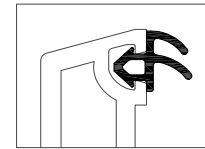
### Frame Profiles



3 1/4" Frame w/o Fin

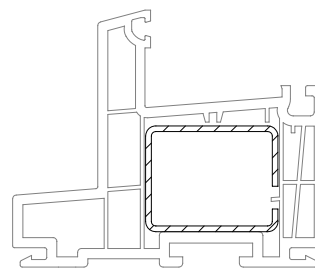
**601205** [WHT] [BG] [CLAY]

RACK RACK\* RACK\*  
MOD\* --- ---  
PACK PACK\* PACK\*



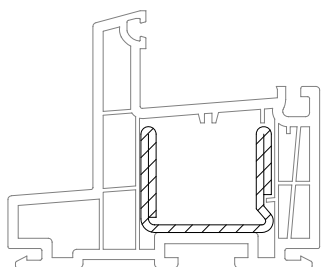
35 mm x 28 mm

	244506
	0.059 in (1.5 mm)
$I_x$	0.0601 in <sup>4</sup> (2.50 cm <sup>4</sup> )
$I_y$	0.0272 in <sup>4</sup> (1.13 cm <sup>4</sup> )
	PACK



35 mm x 28 mm

	237091
	0.059 in (1.5 mm)
$I_x$	0.0663 in <sup>4</sup> (2.76 cm <sup>4</sup> )
$I_y$	0.0507 in <sup>4</sup> (2.11 cm <sup>4</sup> )
	PACK



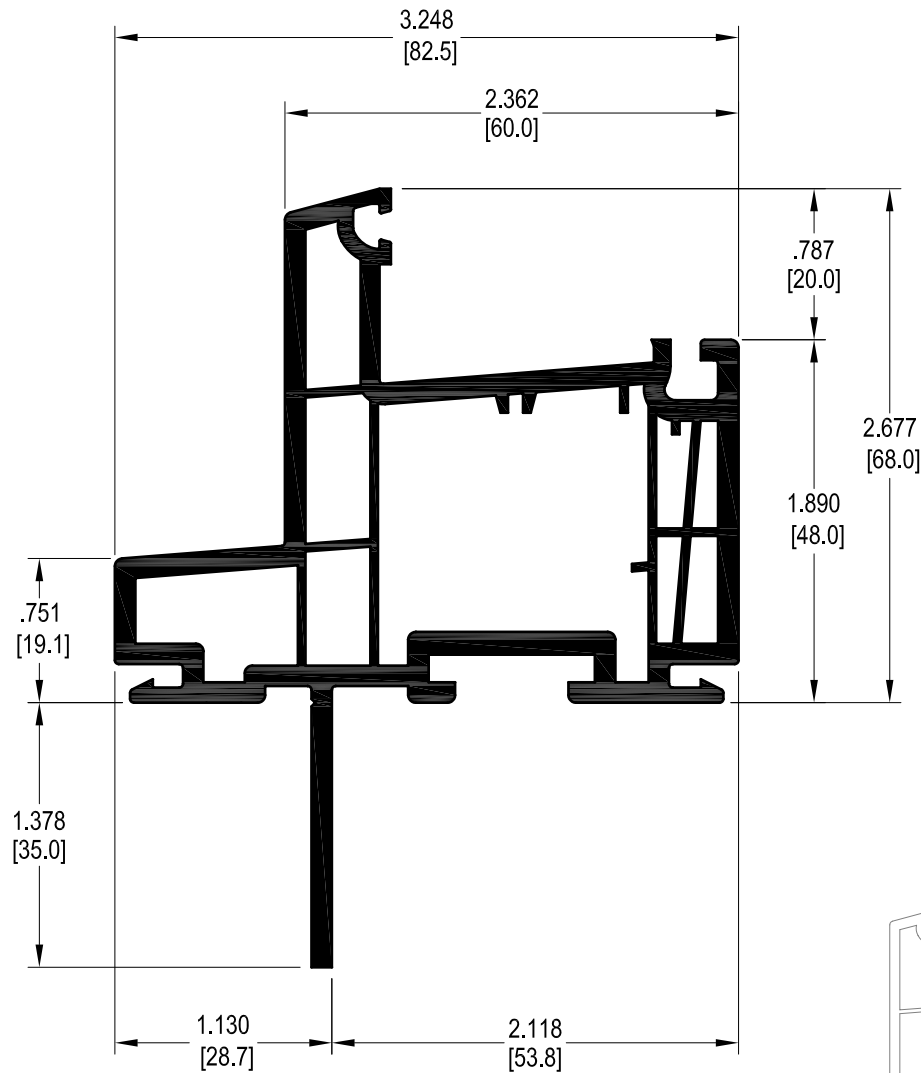
35 mm x 28 mm

	244536
	0.079 in (2.0 mm)
$I_x$	0.1192 in <sup>4</sup> (4.96 cm <sup>4</sup> )
$I_y$	0.0476 in <sup>4</sup> (1.98 cm <sup>4</sup> )
	PACK

# REHAU WINDOW SYSTEM 4500

## PROFILE PRINT

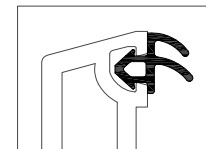
### Frame Profiles



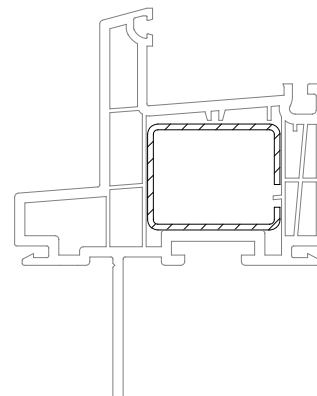
3 1/4" Frame w/ Fin

**601215** [WHT] [BG] [CLAY]

	RACK	RACK	RACK
	MOD*	---	---
	PACK	---	PACK*

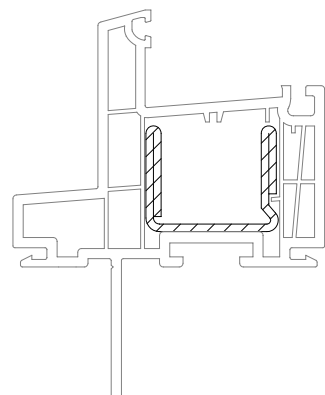


[BLK]	864952
-------	--------



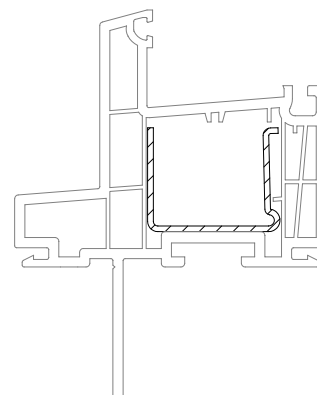
35 mm x 28 mm

	237091
	0.059 in (1.5 mm)
$I_k$	0.0663 in <sup>4</sup> (2.76 cm <sup>4</sup> )
$I_y$	0.0507 in <sup>4</sup> (2.11 cm <sup>4</sup> )
	PACK



35 mm x 28 mm

	244536
	0.079 in (2.0 mm)
$I_k$	0.1192 in <sup>4</sup> (4.96 cm <sup>4</sup> )
$I_y$	0.0476 in <sup>4</sup> (1.98 cm <sup>4</sup> )
	PACK



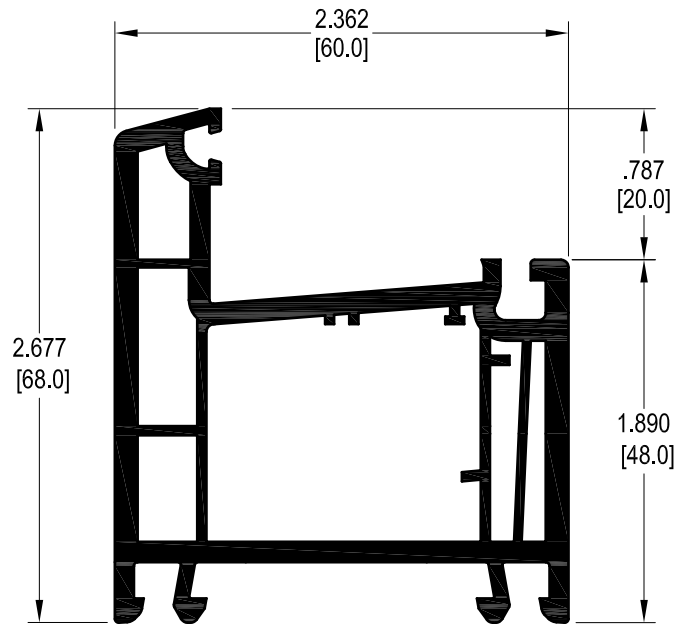
35mm x 28mm

	244506
	0.059 in (1.5 mm)
$I_k$	0.0601 in <sup>4</sup> (2.50 cm <sup>4</sup> )
$I_y$	0.0272 in <sup>4</sup> (1.13 cm <sup>4</sup> )
	PACK

# REHAU WINDOW SYSTEM 4500

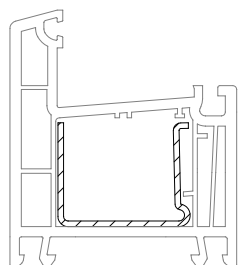
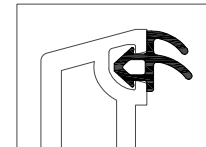
## PROFILE PRINT

### Frame Profiles



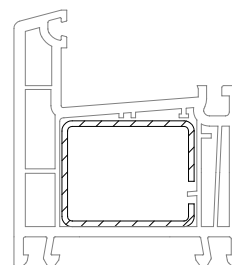
Frame 68

<b>508001</b>	WHT	BG	CLAY	
	RACK	RACK	RACK	
	---	---	---	
	PACK	---	---	



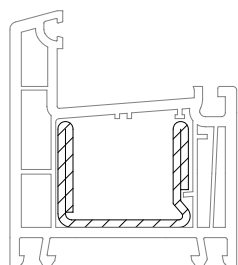
35 mm x 28 mm

	244506
	0.059 in (1.5 mm)
$I_x$	0.0601 in <sup>4</sup> (2.50 cm <sup>4</sup> )
$I_y$	0.0272 in <sup>4</sup> (1.13 cm <sup>4</sup> )
	PACK



35 mm x 28 mm

	237091
	0.059 in (1.5 mm)
$I_x$	0.0663 in <sup>4</sup> (2.76 cm <sup>4</sup> )
$I_y$	0.0507 in <sup>4</sup> (2.11 cm <sup>4</sup> )
	PACK



35 mm x 28 mm

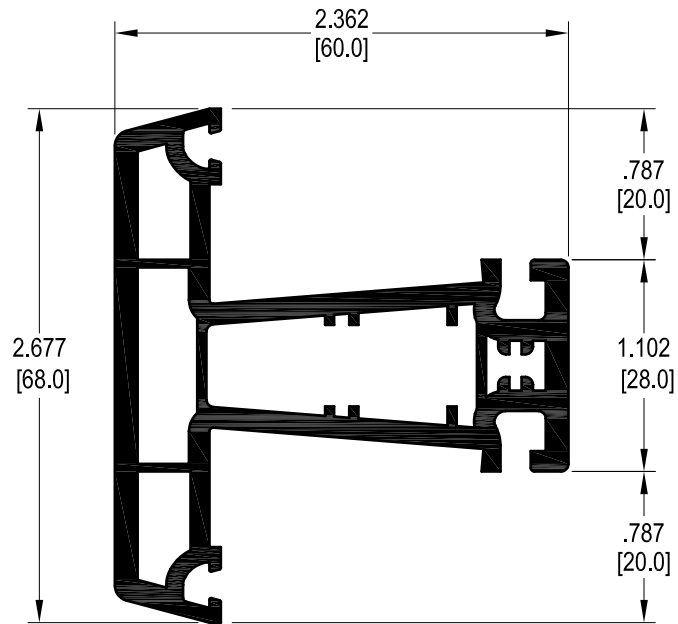
	244536
	0.079 in (2.0 mm)
$I_x$	0.1192 in <sup>4</sup> (4.96 cm <sup>4</sup> )
$I_y$	0.0476 in <sup>4</sup> (1.98 cm <sup>4</sup> )
	PACK



# REHAU WINDOW SYSTEM 4500

## PROFILE PRINT

### T-Mullion Profiles



T-Mullion 68

541030

WHT

BG

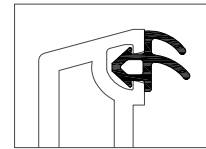


---

---

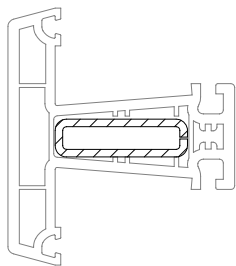
PACK

PACK\*



BLK

864952



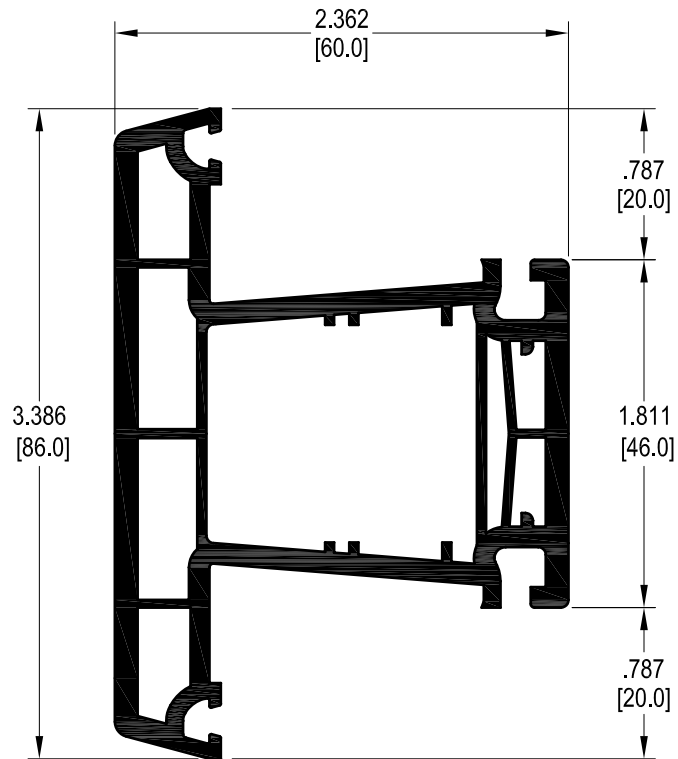
35 mm x 10 mm

	261801
	0.079 in (2.0 mm)
$I_x$	0.0447 in <sup>4</sup> (1.86 cm <sup>4</sup> )
$I_y$	0.0053 in <sup>4</sup> (0.22 cm <sup>4</sup> )
	PACK

# REHAU WINDOW SYSTEM 4500

## PROFILE PRINT

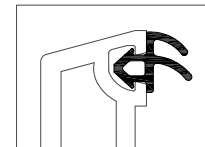
### T-Mullion Profiles



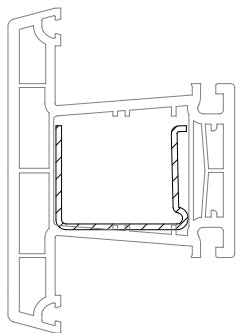
T-Mullion 86

**508004** [WHT] [BG] [CLAY]

RACK --- RACK  
 --- --- ---  
 PACK PACK\* PACK

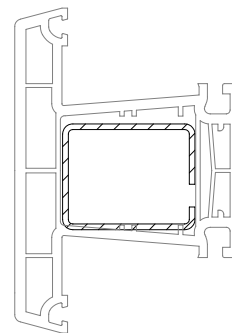


[BLK] 864952



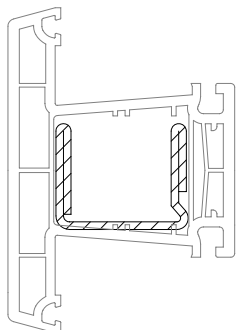
35 mm x 28 mm

	244506
	0.059 in (1.5 mm)
$I_x$	0.0601 in <sup>4</sup> (2.50 cm <sup>4</sup> )
$I_y$	0.0272 in <sup>4</sup> (1.13 cm <sup>4</sup> )
	PACK



35 mm x 28 mm

	237091
	0.059 in (1.5 mm)
$I_x$	0.0663 in <sup>4</sup> (2.76 cm <sup>4</sup> )
$I_y$	0.0507 in <sup>4</sup> (2.11 cm <sup>4</sup> )
	PACK



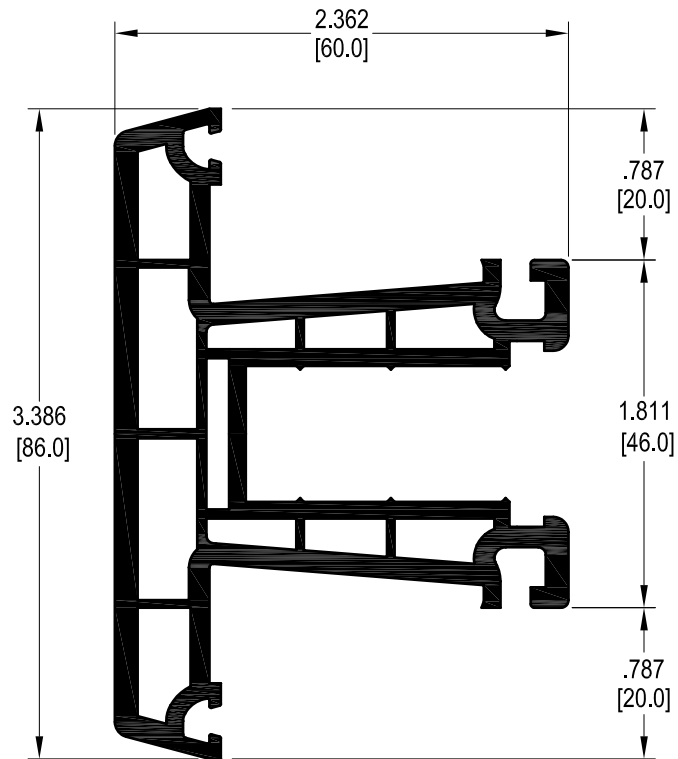
35 mm x 28 mm

	244536
	0.079 in (2.0 mm)
$I_x$	0.1192 in <sup>4</sup> (4.96 cm <sup>4</sup> )
$I_y$	0.0476 in <sup>4</sup> (1.98 cm <sup>4</sup> )
	PACK

# REHAU WINDOW SYSTEM 4500

## PROFILE PRINT

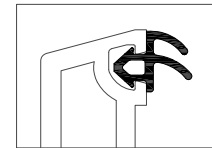
### T-Mullion Profiles



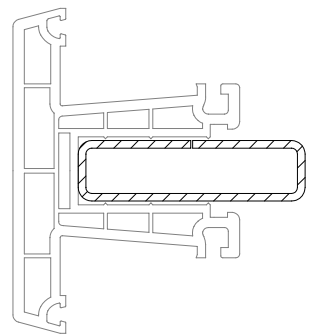
Static T-Mullion 86

**554004** [WHT] [BG] [CLAY]

	RACK	---	---
	---	---	---
	PACK	PACK	PACK

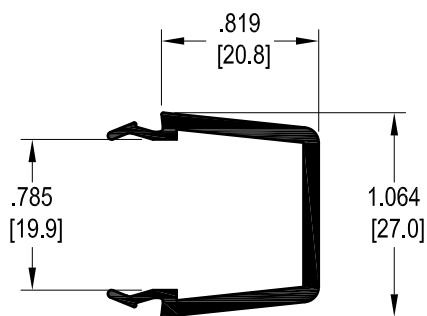


	[BLK]	864952
--	-------	--------



60 mm x 16 mm

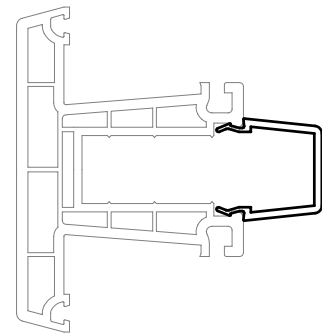
	554034
	0.079 in (2.0 mm)
$I_x$	0.2514 in <sup>4</sup> (10.46 cm <sup>4</sup> )
$I_y$	0.0286 in <sup>4</sup> (1.19 cm <sup>4</sup> )
	PACK



Static T-Mullion 86 Cover

**554024** [WHT] [BG] [CLAY]

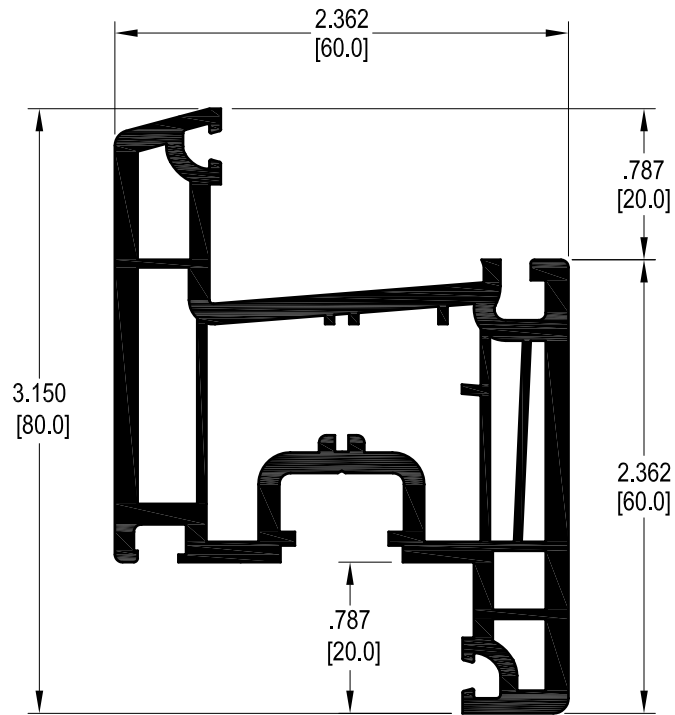
	RACK	---	---
	---	---	---
	PACK	PACK	PACK



# REHAU WINDOW SYSTEM 4500

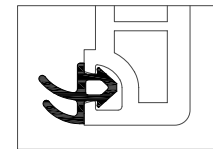
## PROFILE PRINT

Sash Profiles

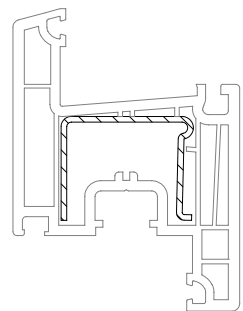


Sash Z60


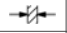

**508002**  WHT  BG  CLAY   
 RACK --- RACK  
 --- --- ---  
 PACK PACK PACK

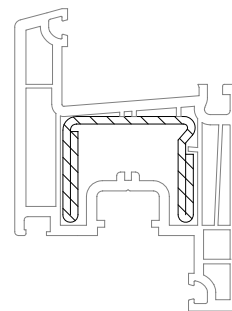


BLK 864952


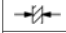



35 mm x 28 mm

	244506
	0.059 in (1.5 mm)
$I_x$	0.0601 in <sup>4</sup> (2.50 cm <sup>4</sup> )
$I_y$	0.0272 in <sup>4</sup> (1.13 cm <sup>4</sup> )
	PACK



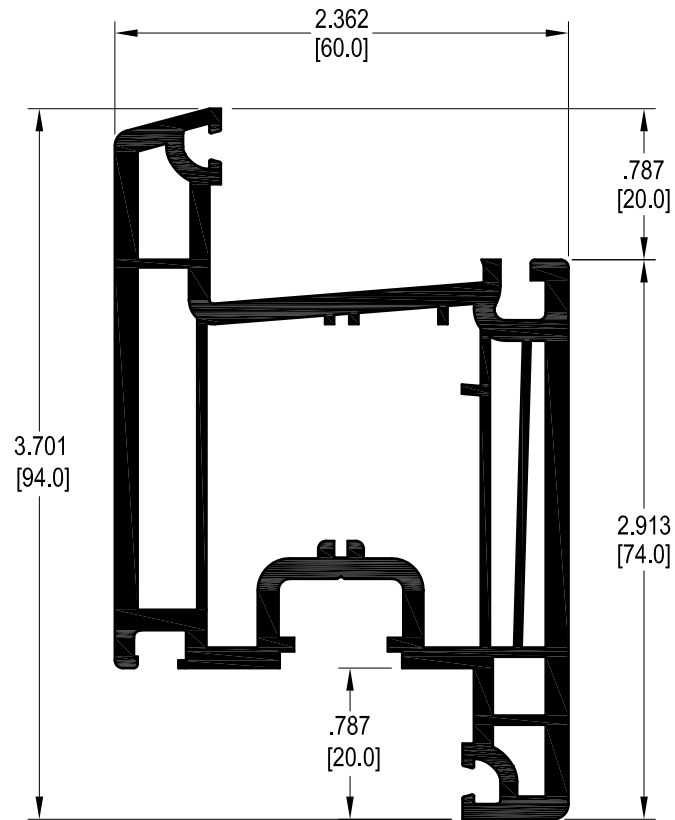
35 mm x 28 mm

	244536
	0.079 in (2.0 mm)
$I_x$	0.1192 in <sup>4</sup> (4.96 cm <sup>4</sup> )
$I_y$	0.0476 in <sup>4</sup> (1.98 cm <sup>4</sup> )
	PACK

# REHAU WINDOW SYSTEM 4500

## PROFILE PRINT

Sash Profiles

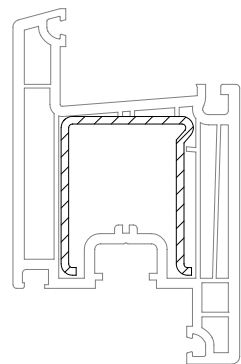
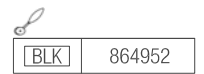
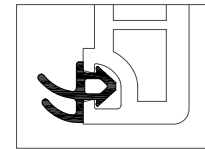


Sash Z74

508003 WHT BG CLAY

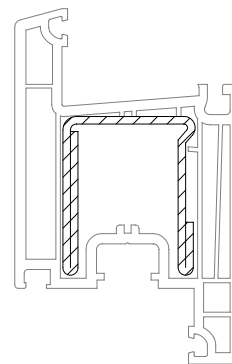


--- --- ---  
PACK PACK PACK



42 mm x 35 mm

	350193
	0.079 In (2.0 mm)
$I_x$	0.1096 in <sup>4</sup> (4.56 cm <sup>4</sup> )
$I_y$	0.1089 in <sup>4</sup> (4.53 cm <sup>4</sup> )
	PACK



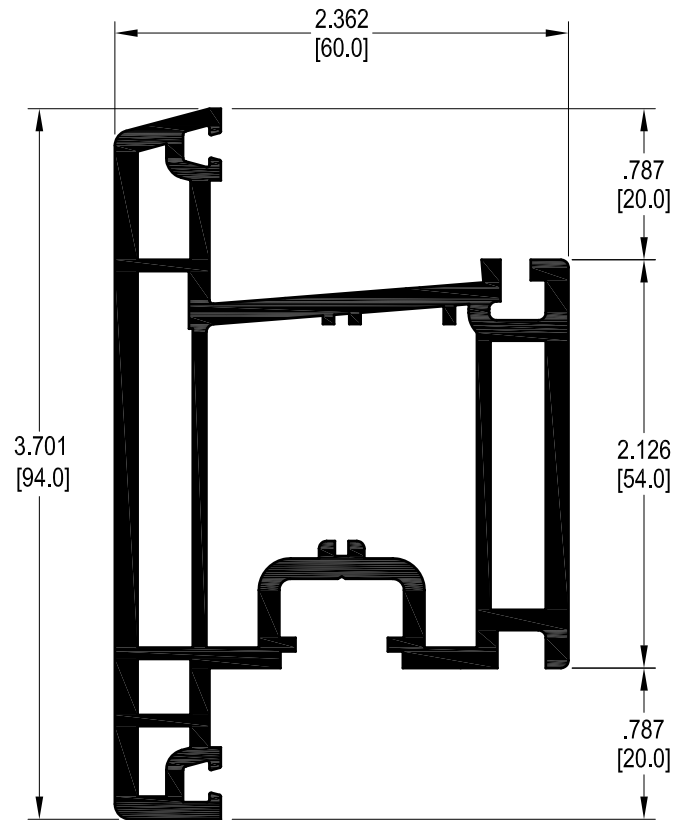
42 mm x 35 mm

	238570
	0.079 In (2.0 mm)
$I_x$	0.1557 in <sup>4</sup> (6.48 cm <sup>4</sup> )
$I_y$	0.1459 in <sup>4</sup> (6.07 cm <sup>4</sup> )
	PACK

# REHAU WINDOW SYSTEM 4500

## PROFILE PRINT

Sash Profiles

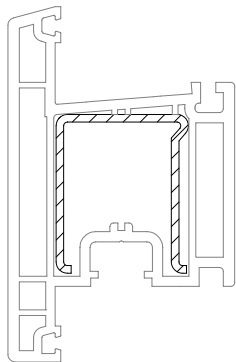
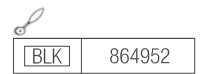
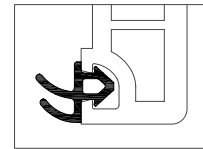


Sash T94

541170  WHT  BG  CLAY

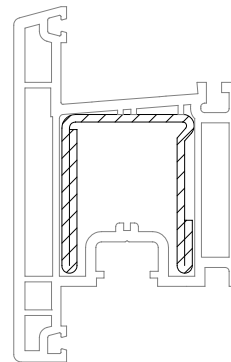


PACK PACK\* PACK



42 mm x 35 mm

	350193
	0.079 In (2.0 mm)
$I_x$	0.1096 in <sup>4</sup> (4.56 cm <sup>4</sup> )
$I_y$	0.1089 in <sup>4</sup> (4.53 cm <sup>4</sup> )
	PACK



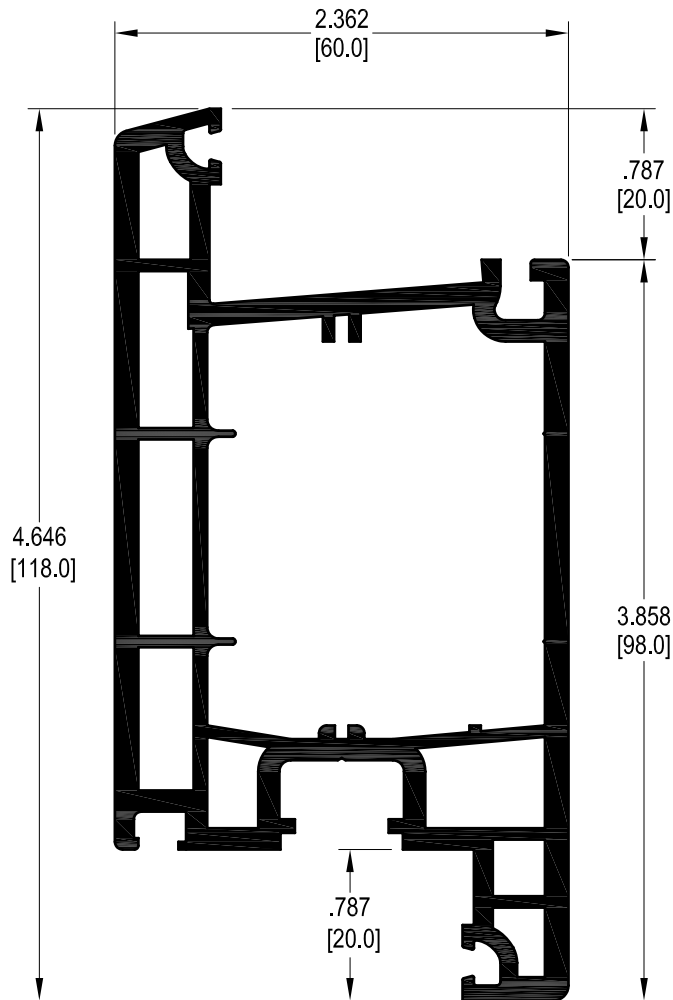
42 mm x 35 mm

	238570
	0.079 In (2.0 mm)
$I_x$	0.1557 in <sup>4</sup> (6.48 cm <sup>4</sup> )
$I_y$	0.1459 in <sup>4</sup> (6.07 cm <sup>4</sup> )
	PACK

# REHAU WINDOW SYSTEM 4500

## PROFILE PRINT

Sash Profiles

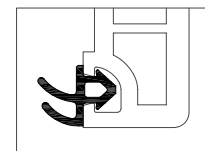


Door Sash Z98

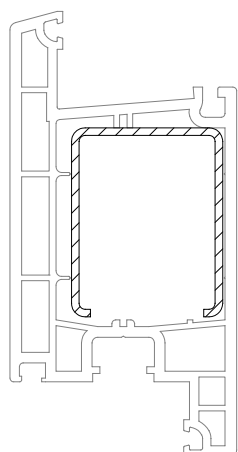
541130  WHT  BG  CLAY



--- --- ---  
--- --- ---  
PACK PACK PACK

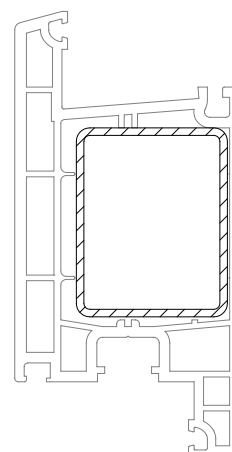


BLK 864952



40 mm x 50 mm

	268742
	0.079 in (2.0 mm)
$I_x$	0.1853 in <sup>4</sup> (7.71 cm <sup>4</sup> )
$I_y$	0.1920 in <sup>4</sup> (7.99 cm <sup>4</sup> )
	PACK



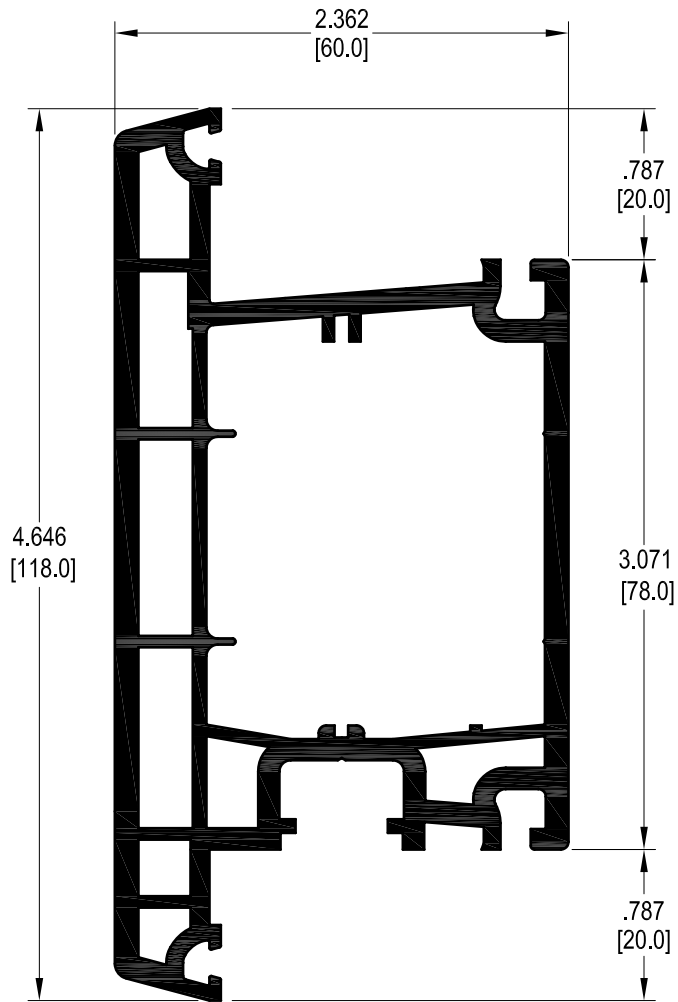
40 mm x 50 mm

	251886
	0.079 in (2.0 mm)
$I_x$	0.2031 in <sup>4</sup> (8.45 cm <sup>4</sup> )
$I_y$	0.2872 in <sup>4</sup> (11.95 cm <sup>4</sup> )
	PACK

# REHAU WINDOW SYSTEM 4500

## PROFILE PRINT

Sash Profiles

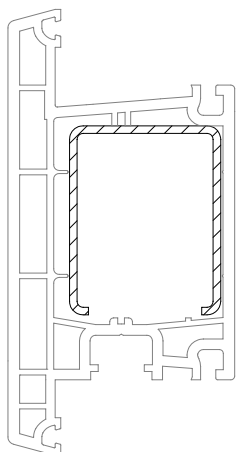
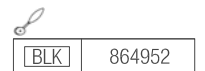
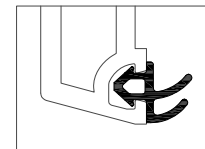


Door Sash T118

508000 WHT BG CLAY

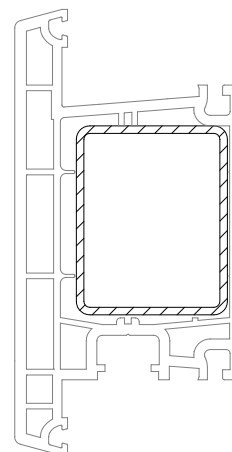


PACK PACK PACK



40 mm x 50 mm

	268742
	0.079 in (2.0 mm)
$I_x$	0.1853 in <sup>4</sup> (7.71 cm <sup>4</sup> )
$I_y$	0.1920 in <sup>4</sup> (7.99 cm <sup>4</sup> )
	PACK



40 mm x 50 mm

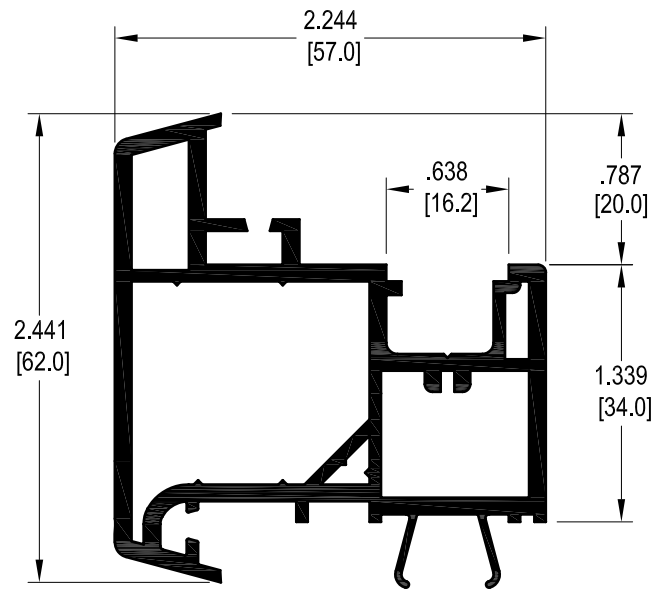
	251886
	0.079 in (2.0 mm)
$I_x$	0.2031 in <sup>4</sup> (8.45 cm <sup>4</sup> )
$I_y$	0.2872 in <sup>4</sup> (11.95 cm <sup>4</sup> )
	PACK



# REHAU WINDOW SYSTEM 4500

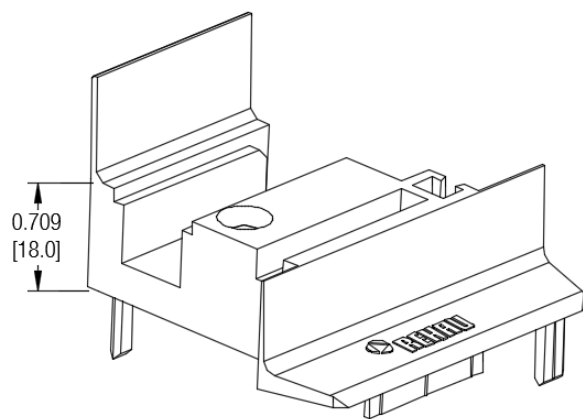
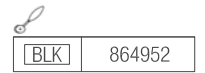
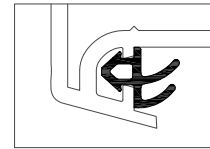
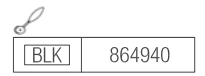
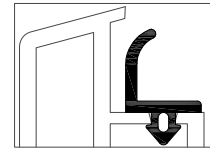
## PROFILE PRINT

### Astragal



### Astragal 62

<b>554230</b>	[WHT]	[BG]	[CLAY]	
	---	---	---	
	---	---	---	
	PACK	PACK*	PACK	



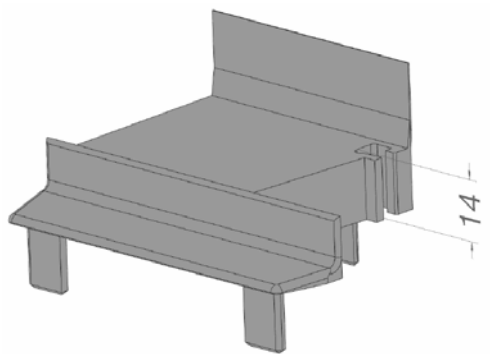
### Astragal End Cap

<b>229117</b>		[WHT]
<b>229107</b>		[WHT]
		BOX


# REHAU WINDOW SYSTEM 4500


## PROFILE PRINT

### Astragal End Cap

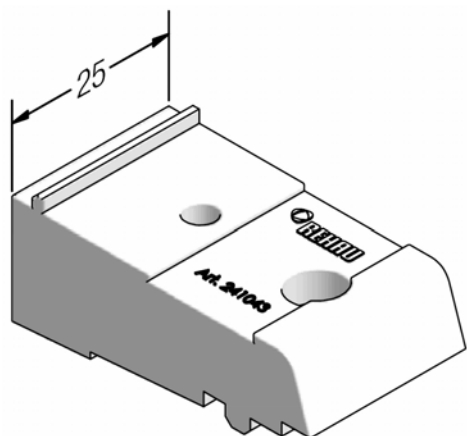


T-Mullion End Cap (for 508004)

254315   WHT  BG

254315   WHT  BG

 BOX BOX\*



Distance Piece

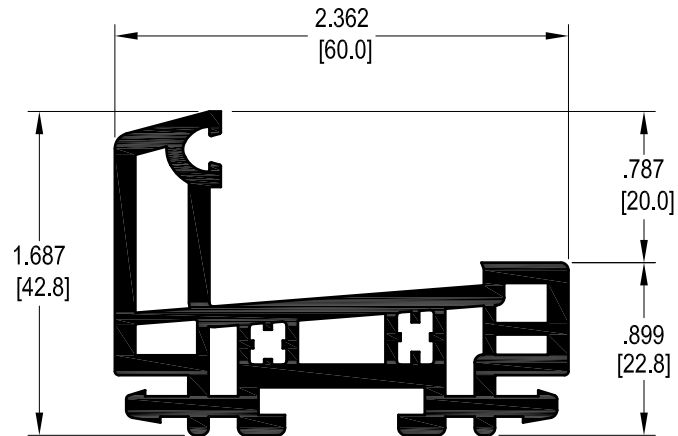
241043  WHT

 BOX

# REHAU WINDOW SYSTEM 4500

## PROFILE PRINT

### Door Sills / Thresholds



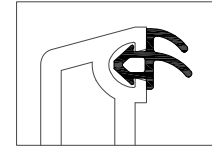
In-Swing Door Sub-Sill

**601225** [WHT] [BG]

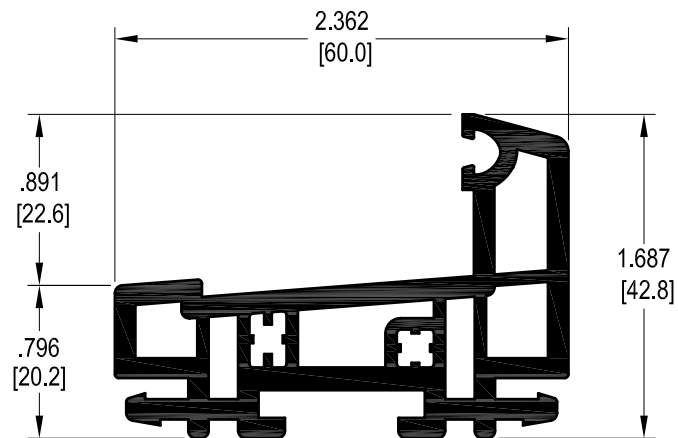
--- ---

--- ---

PACK PACK\*



[BLK] 864952



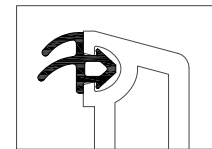
Out-Swing Door Sub-Sill

**601235** [WHT] [BG]

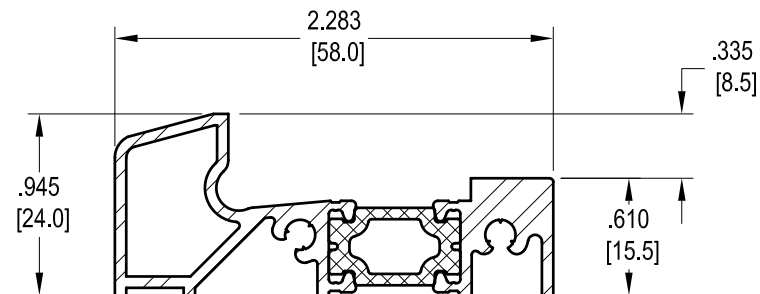
--- ---

--- ---

PACK PACK\*



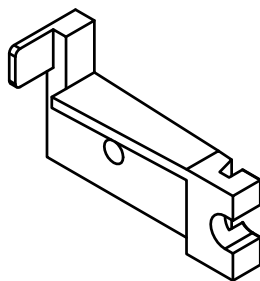
[BLK] 864952



Aluminum Threshold

**260000**

PACK



End Cap for Aluminum Threshold

**269632**

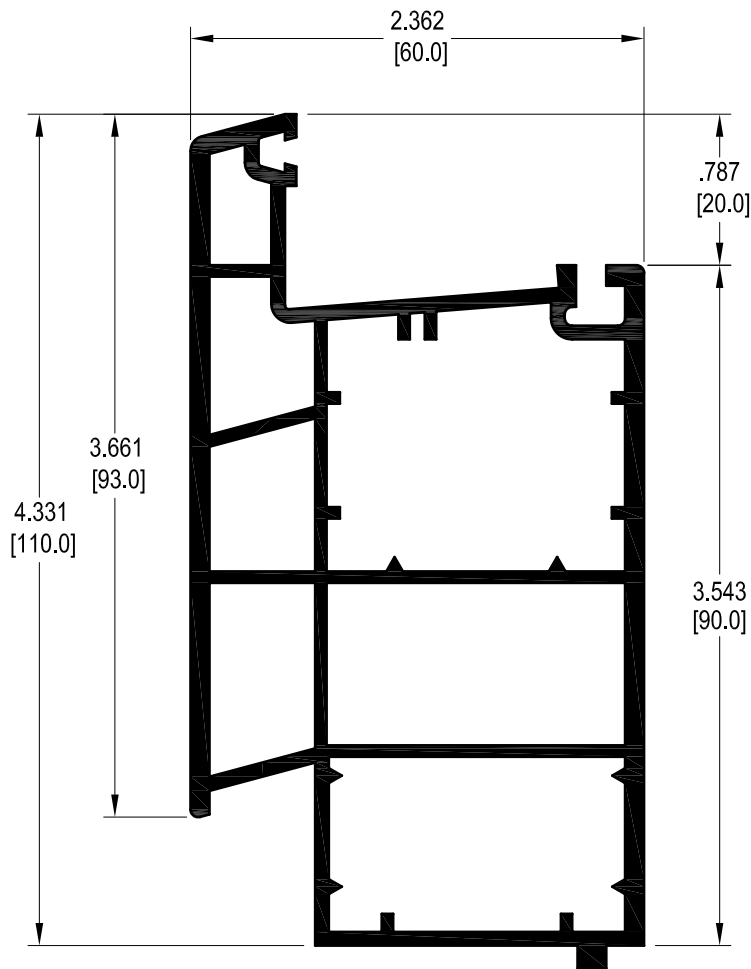
**269642**

BOX

# REHAU WINDOW SYSTEM 4500

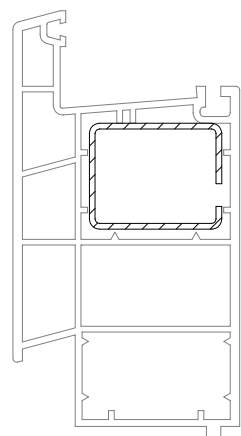
## PROFILE PRINT

### Compensation Profiles



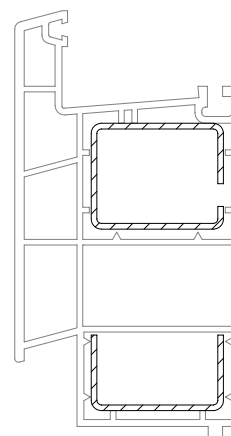
Compensation Profile

<b>541600</b>	WHT	BG	CLAY	
	---	---	---	
	---	---	---	
	PACK*	PACK*	PACK*	



35 mm x 28 mm

	237091
	0.059 in (1.5 mm)
$I_x$	0.0663 in <sup>4</sup> (2.76 cm <sup>4</sup> )
$I_y$	0.0507 in <sup>4</sup> (2.11 cm <sup>4</sup> )
	PACK



35 mm x 28 mm

	237091
	0.059 in (1.5 mm)
$I_x$	0.0663 in <sup>4</sup> (2.76 cm <sup>4</sup> )
$I_y$	0.0507 in <sup>4</sup> (2.11 cm <sup>4</sup> )
	PACK

35 mm x 20 mm

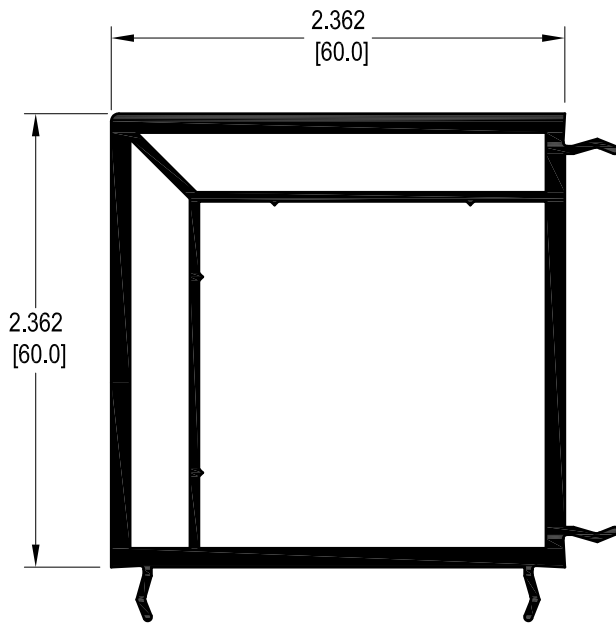
	*
	0.059 in (1.5 mm)
$I_x$	0.0795 in <sup>4</sup> (2.02 cm <sup>4</sup> )
$I_y$	0.0165 in <sup>4</sup> (0.42 cm <sup>4</sup> )


\* Purchase by fabricator in local market

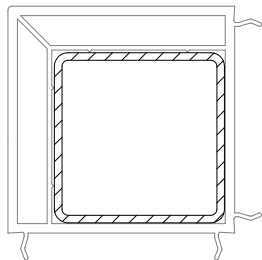
# REHAU WINDOW SYSTEM 4500

## PROFILE PRINT



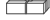
### Coupling Profiles



Corner Post  
**560290** [WHT]  
 ---  
 ---  
 PACK\*



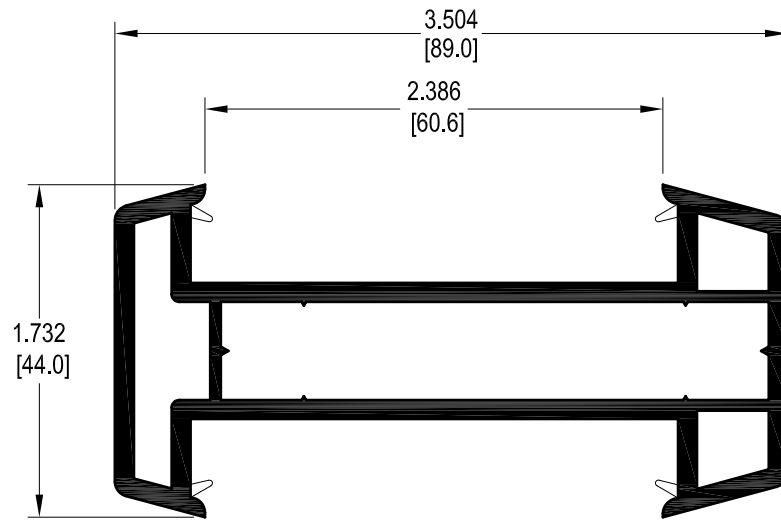
45mm x 45mm

	259894*
	0.079 in (2.0 mm)
$I_x$	0.2449 in <sup>4</sup> (10.19 cm <sup>4</sup> )
$I_y$	0.2449 in <sup>4</sup> (10.19 cm <sup>4</sup> )
	PACK

# REHAU WINDOW SYSTEM 4500

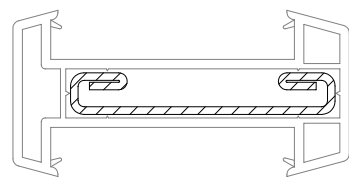
## PROFILE PRINT

### Expansion Joint



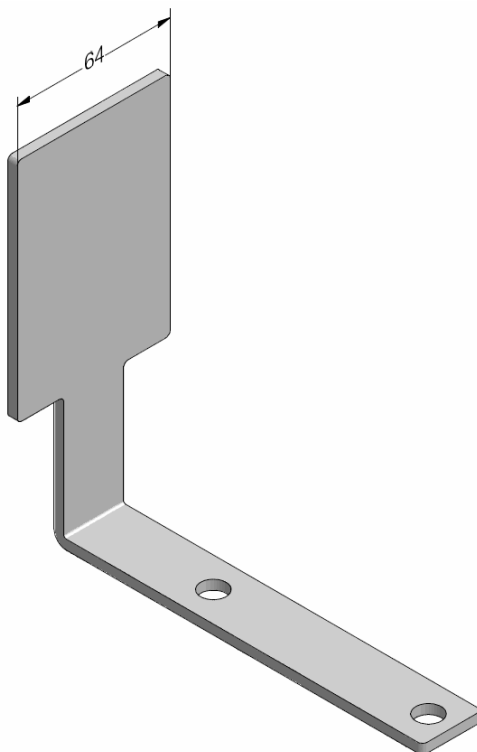
### Expansion Joint

<b>560014</b>	[WHT]	[CLAY]	
	---	---	
	---	---	
	PACK	PACK*	



70 mm x 11 mm

	350286
	0.079 in (2.0 mm)
$I_x$	0.3617 in <sup>4</sup> (15.05 cm <sup>4</sup> )
$I_y$	0.0091 in <sup>4</sup> (0.38 cm <sup>4</sup> )
	PACK



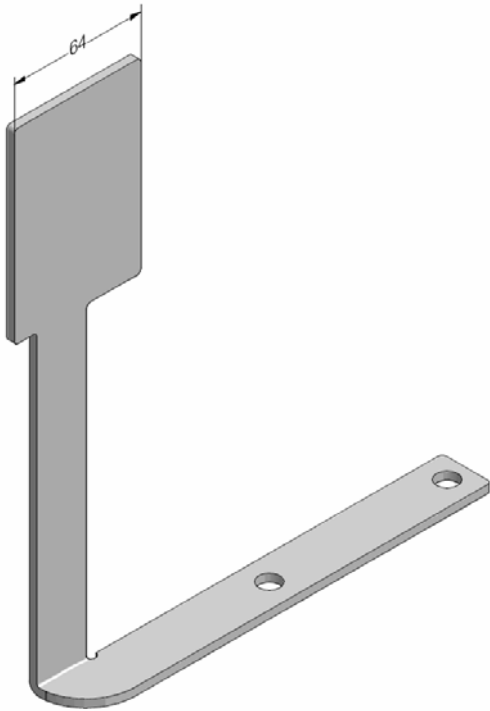
### Steel Installation Bracket 1

<b>246545</b>	
	BOX*

# REHAU WINDOW SYSTEM 4500

## PROFILE PRINT

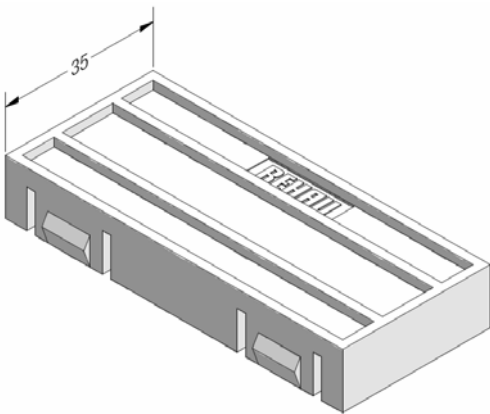
### Expansion Joint



Steel Installation Bracket 2

**246535** 

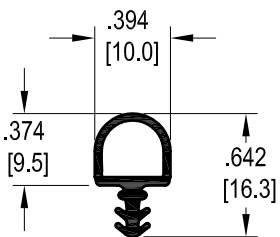
 BOX\*



Distance Block

**246691** 

 BOX



Seal for Expansion Joint

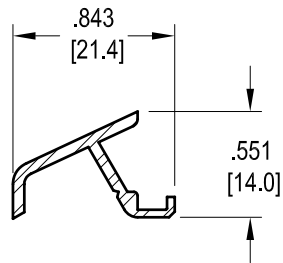
**865520** 

 BOX

# REHAU WINDOW SYSTEM 4500

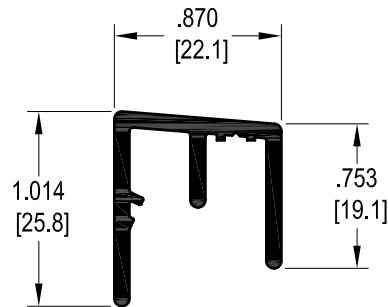
## PROFILE PRINT

Supplementary Door Articles



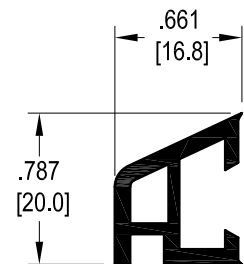
Drip Rail / Aluminum

**227848**    
 PACK\*



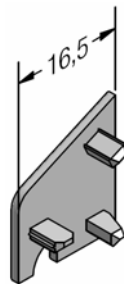
Screen Track / Sliding

**601295**     
 --- ---   
 PACK PACK\*


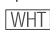





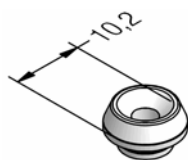
Drip Rail

**561510**      
 --- ---   
 PACK PACK\*



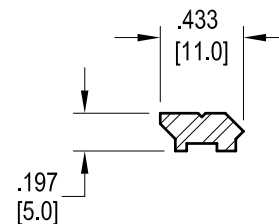
Drip Rail End Cap

**269470**     
**269460**     
 BOX



Screw-in Retainer

**264230**    
 BOX



Drip Rail Retainer

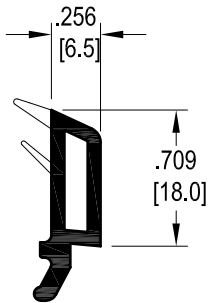
**258523**    
 PACK\*



# REHAU WINDOW SYSTEM 4500

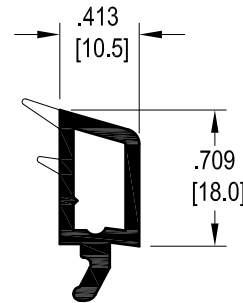
## PROFILE PRINT

### Glazing Stop Profiles



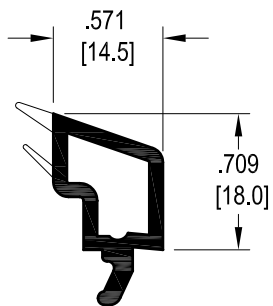
6.5 mm Glazing Stop

<b>508005</b>	<input type="checkbox"/> WHT	<input type="checkbox"/> BG	<input type="checkbox"/> CLAY	
	---	---	---	
	---	---	---	
	PACK	PACK	PACK	



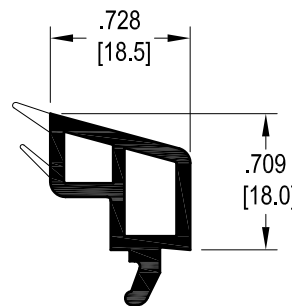
10.5 mm Glazing Stop

<b>560590</b>	<input type="checkbox"/> WHT	
	---	---
	---	---
	PACK	



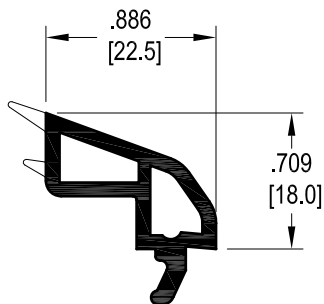
14.5 mm Glazing Stop

<b>508006</b>	<input type="checkbox"/> WHT	<input type="checkbox"/> BG	<input type="checkbox"/> CLAY	
	---	---	---	
	---	---	---	
	PACK	PACK	PACK	



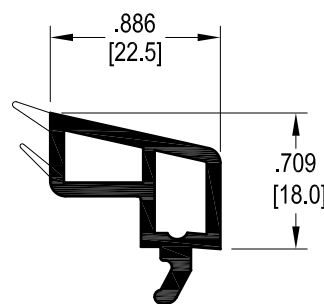
18.5 mm Glazing Stop

<b>560610</b>	<input type="checkbox"/> WHT	
	---	---
	---	---
	PACK	



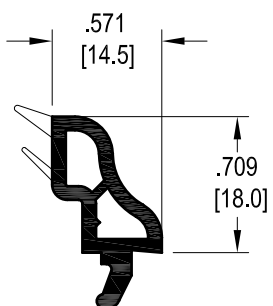
22.5 mm Glazing Stop

<b>507001</b>	<input type="checkbox"/> WHT	<input type="checkbox"/> BG	<input type="checkbox"/> CLAY	
	---	---	---	
	---	---	---	
	PACK	PACK	PACK	



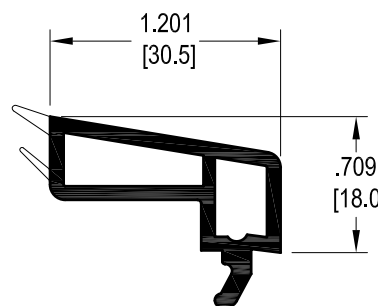
22.5 mm Glazing Stop

<b>560510</b>	<input type="checkbox"/> WHT	<input type="checkbox"/> BG	<input type="checkbox"/> CLAY	
	---	---	---	
	---	---	---	
	PACK	PACK	PACK	



14.5 mm Contoured Glazing Stop

<b>561620</b>	<input type="checkbox"/> WHT	<input type="checkbox"/> BG	
	---	---	
	---	---	
	PACK	PACK*	



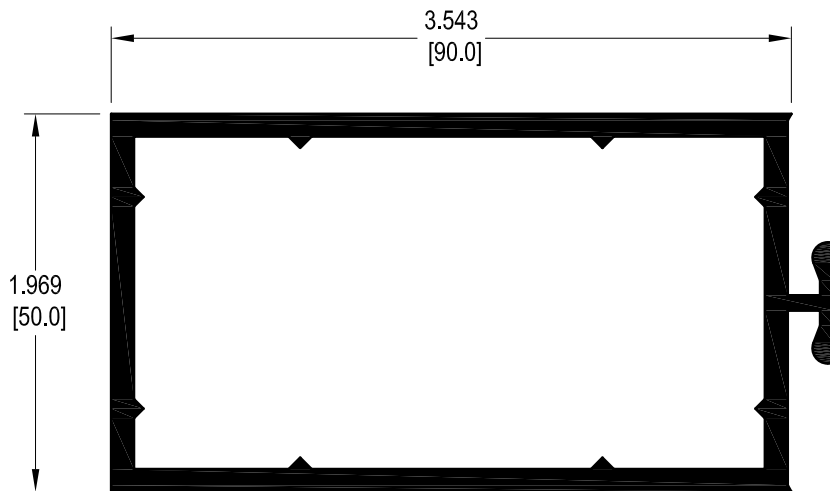
30.5 mm Glazing Stop

<b>561520</b>	<input type="checkbox"/> WHT	
	---	---
	---	---
	PACK	

# REHAU WINDOW SYSTEM 4500

## PROFILE PRINT

### Reinforcement / Coupling Profiles

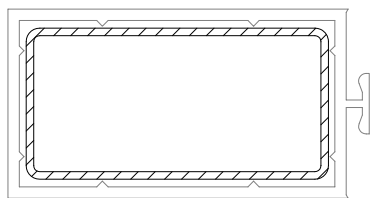


#### Reinforcement Profile 1

627061 [WHT]

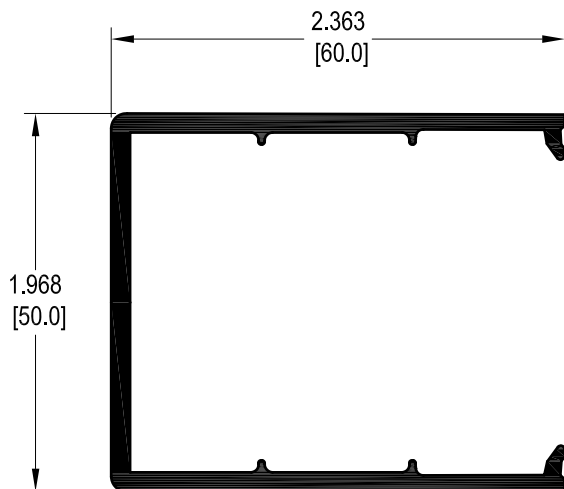


---  
---  
PACK\*



80 mm x 40 mm

	258881*
	0.079 in (2.0 mm)
$I_x$	0.9030 in <sup>4</sup> (37.58 cm <sup>4</sup> )
$I_y$	0.3071 in <sup>4</sup> (12.78 cm <sup>4</sup> )
	PACK*

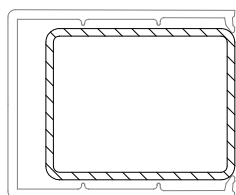


#### External Reinforcement Cover

560015 [WHT] [BG]



--- ---  
--- ---  
PACK\* PACK\*



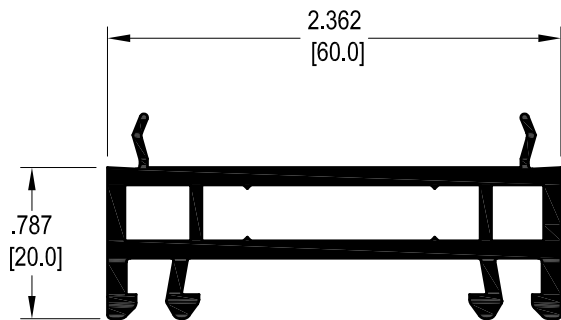
50 mm x 40 mm

	251886
	0.079 in (2.0 mm)
$I_x$	0.2872 in <sup>4</sup> (11.95 cm <sup>4</sup> )
$I_y$	0.2031 in <sup>4</sup> (8.45 cm <sup>4</sup> )
	PACK



# REHAU WINDOW SYSTEM 4500

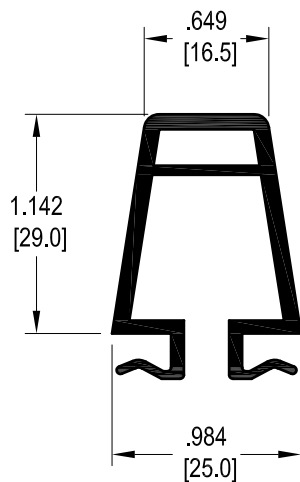
## PROFILE PRINT

Reinforcement / Coupling / Extension Profiles



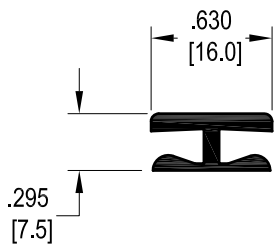
Frame Extension 20 mm

**561273** [WHT] [CLAY]   
 --- ---  
 --- ---  
 PACK\* PACK\*





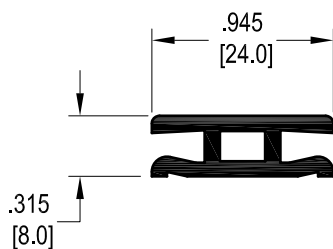
Coupling Profile / Chambered

**561892** [WHT] [BG] [CLAY]   
 --- --- ---  
 --- --- ---  
 PACK PACK\* PACK



Coupling Profile / Flat

**732460** [WHT] [CLAY]   
 --- ---  
 --- ---  
 PACK\* PACK\*



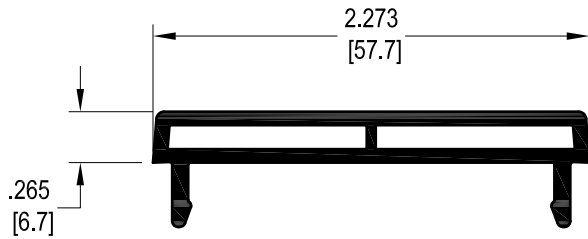
H-Connector / Chambered

**560700** [WHT]   
 ---  
 ---  
 PACK\*

# REHAU WINDOW SYSTEM 4500

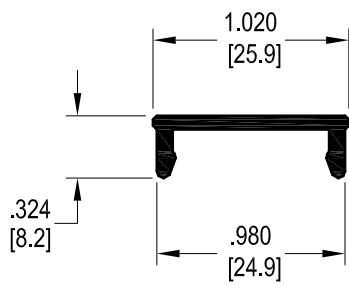
## PROFILE PRINT

Reinforcement / Coupling Profiles



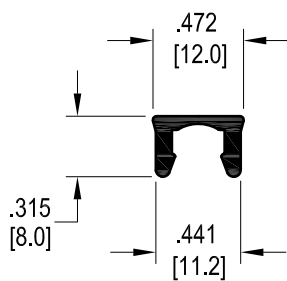
Chambered Mullion Cover

<b>619845</b>	<input type="checkbox"/> WHT	<input type="checkbox"/> BG	<input type="checkbox"/> CLAY	
	---	---	---	
	---	---	---	
	PACK*	PACK*	PACK*	



Wide Frame Connector

<b>600226</b>	<input type="checkbox"/> WHT	<input type="checkbox"/> BG	<input type="checkbox"/> CLAY	
	---	---	---	
	---	---	---	
	PACK	PACK*	PACK	



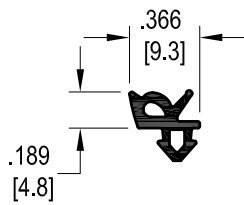
Flush Frame Connector

<b>600216</b>	<input type="checkbox"/> WHT	<input type="checkbox"/> BG	<input type="checkbox"/> CLAY	
	RACK*	---	---	
	MOD*	---	---	
	PACK	PACK	PACK*	

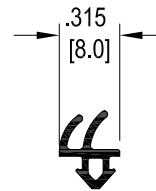
# REHAU WINDOW SYSTEM 4500

## PROFILE PRINT

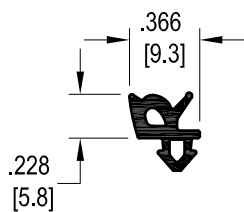
### Glazing Splines and Seals



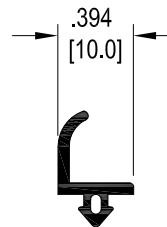
4.8 mm Glazing Spline Nr. 65  
**864992** [BLK]  
BOX



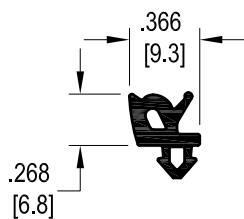
Sash / Frame Seal  
**864952** [BLK]  
BOX



5.8 mm Glazing Spline Nr. 66  
**865002** [BLK]  
BOX



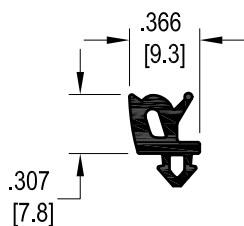
Astragal Seal  
**864940** [BLK]  
BOX



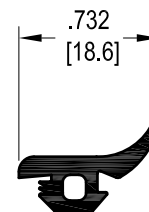
6.8 mm Glazing Spline Nr. 67  
**865012** [BLK]  
BOX



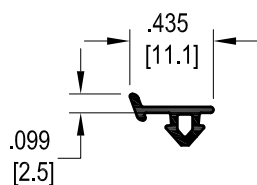
Door Threshold Seal  
**865070** [BLK]  
BOX



7.8 mm Glazing Spline Nr. 68  
**865022** [BLK]  
BOX



Door Threshold Seal / Inward  
**865570** [BLK]  
BOX\*

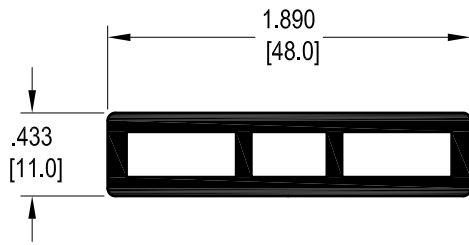


2.5 mm Glazing Spline  
**601575** [BLK]  
BOX

# REHAU WINDOW SYSTEM 4500

## PROFILE PRINT

Bi-fold Door Articles



Cladding Profile

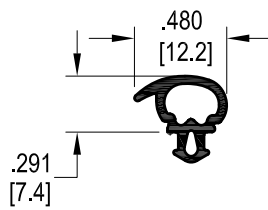
**623651** [WHT]



---

---

PACK

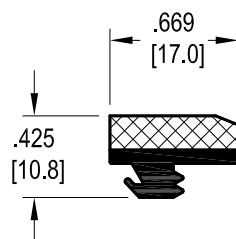


Seal for Bi-fold Door

**865960** [BLK]



BOX



Bi-fold Door Gasket (Package of 4)

**865580** [BLK]

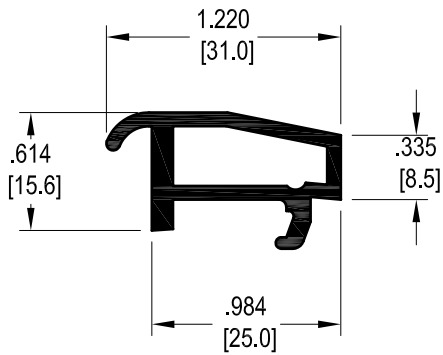


PCE


# REHAU WINDOW SYSTEM 4500

## PROFILE PRINT

Supplementary Articles



Transport Setting Block

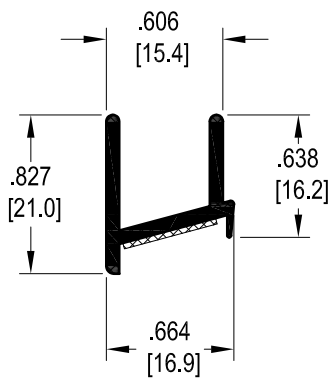
**561780** 



---

---

PACK



Screen Frame / Horizontal

**600796**   

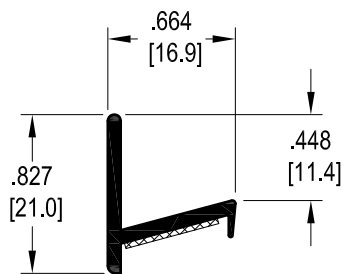


---

---

---

PACK PACK\* PACK\*



Screen Frame / Vertical

**600806**   

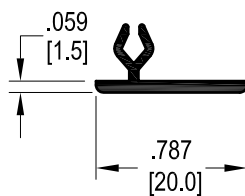


---


---

---

PACK PACK\* PACK\*



Sealing Support

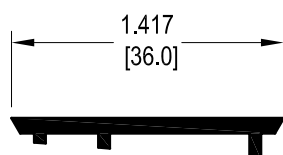
**561007** 





---

---

PACK



Rebate Levelling Profile (for Out-swing)

**541220**  



---

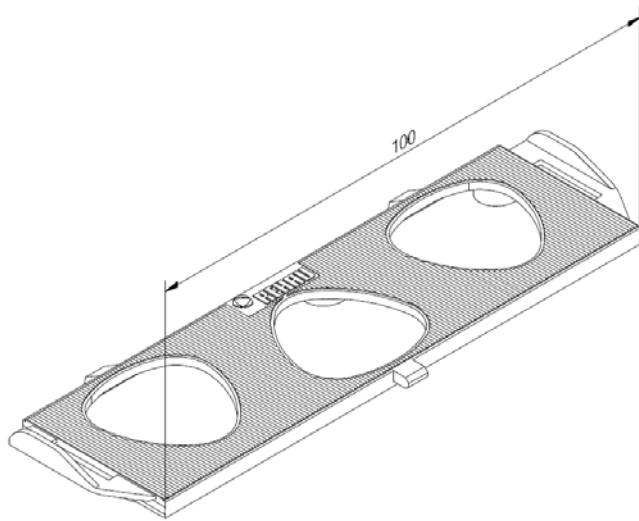
---

PACK PACK

# REHAU WINDOW SYSTEM 4500


## PROFILE PRINT

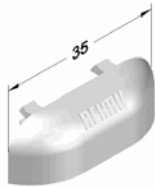
Supplementary Articles



Setting Block for Glazing Shim

**351164** 

 BOX

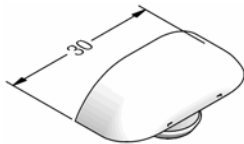


Drain Cover Cap

**261582** 

 BOX

Please ask REHAU sales office for more color information.



10 mm Drain Cover Cap

**645594** 

 BOX

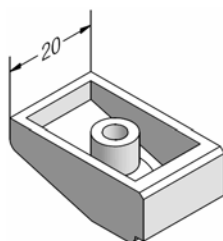


Drain Cover Cap

**500544** 

 BOX

Please ask REHAU sales office for more color information.



Sash Ramp

**260555** 

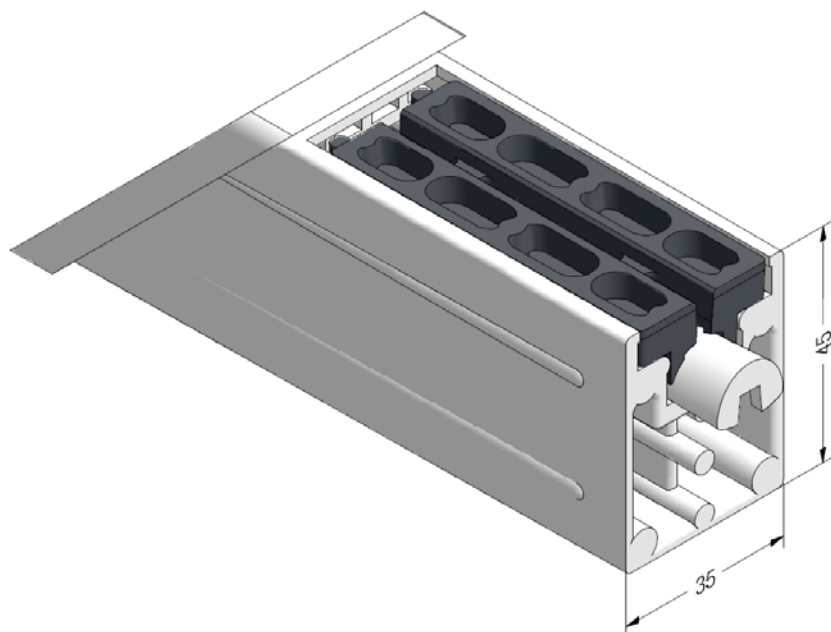
 BOX




# REHAU WINDOW SYSTEM 4500

## PROFILE PRINT

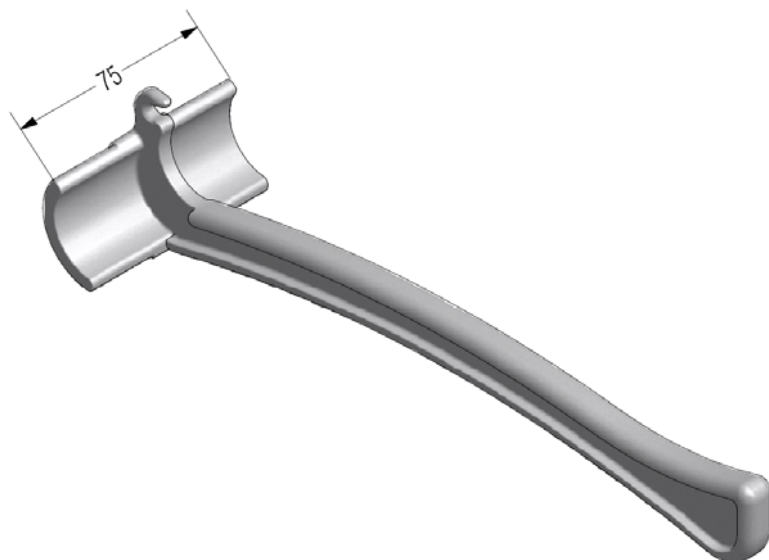
Weldable Corners



Weldable Corners / Z & T Door Sash

**234300** 

 BOX



Weldable Corners Installation Tool

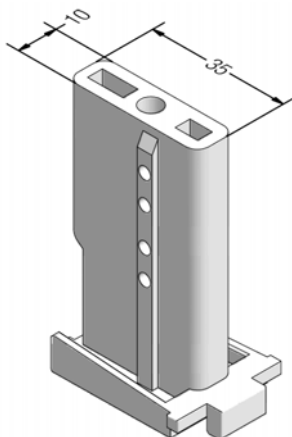
**353616** 

 BOX\*

# REHAU WINDOW SYSTEM 4500

## PROFILE PRINT

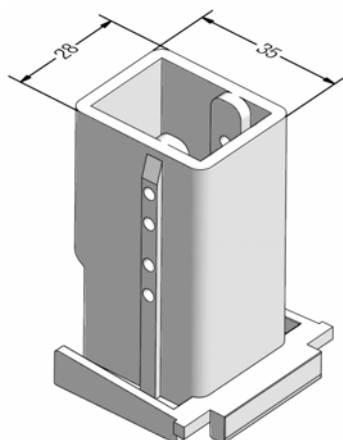
### Mechanical Joints



Mechanical Joint / Small T-Mullion

**247618** [WHT]

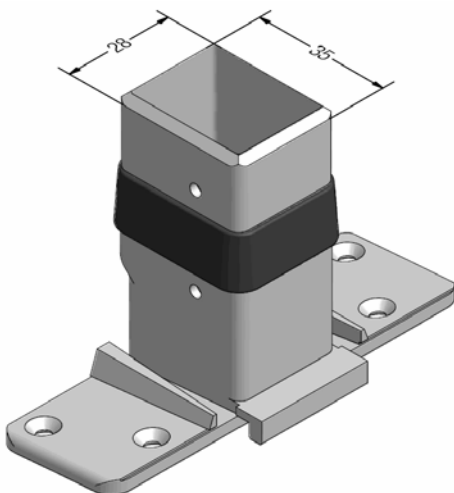
 BOX



Mechanical Joint / Large T-Mullion

**247608** [WHT]

 BOX



Zinc Mechanical Joint / Large T-Mullion

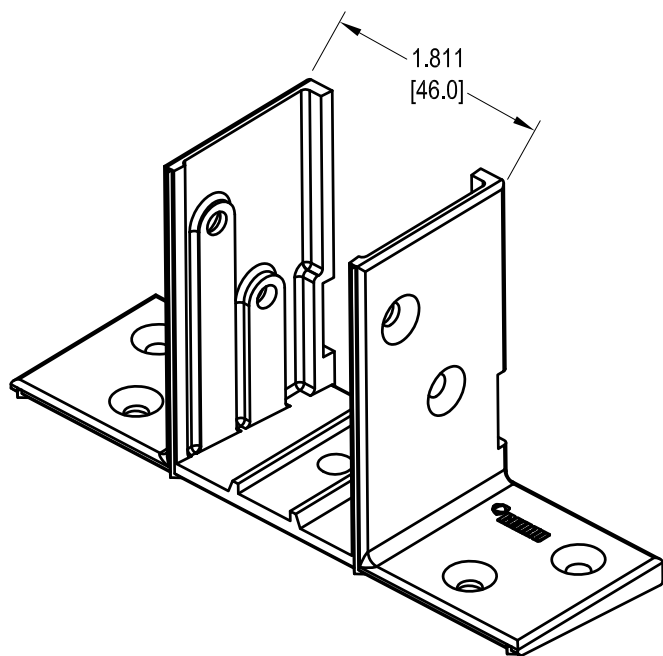
**261758** 

 BOX

# REHAU WINDOW SYSTEM 4500

## PROFILE PRINT

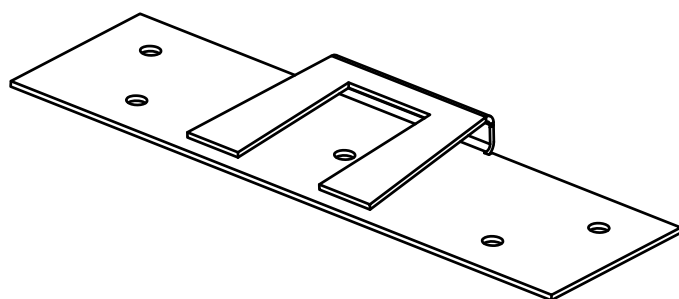
### Mechanical Joints




Static T-Mullion Bracket

554032 

 BOX



Gasket for Static T-Mullion Bracket

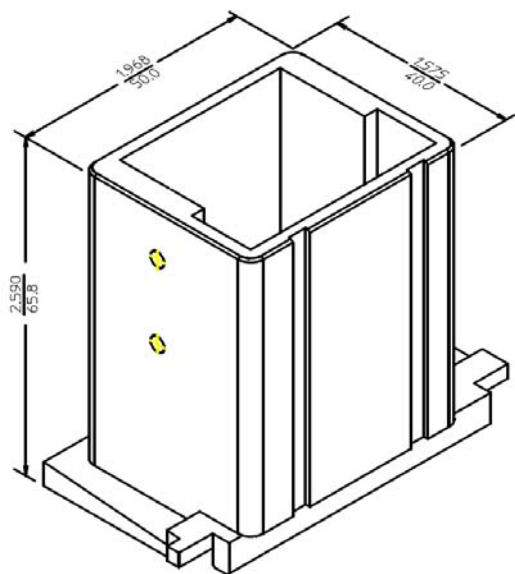
554033 

 BOX

# REHAU WINDOW SYSTEM 4500

## PROFILE PRINT

### Mechanical Joints

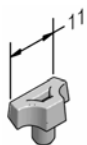


Mechanical Joint / Large Door T-Sash

**260243**  WHT


**260253**  WHT

 BOX\*



6.6 mm Universal Fixture


**268381**  BOX

 BOX



Screws for Mechanical Joint 6.3 mm x 70 mm

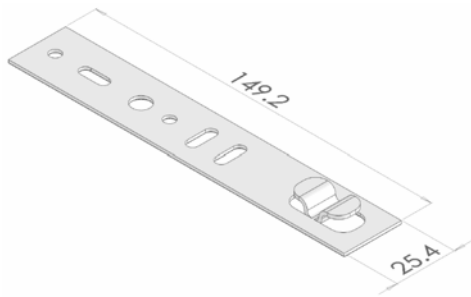
**260633**  BOX

 BOX

# REHAU WINDOW SYSTEM 4500

## PROFILE PRINT

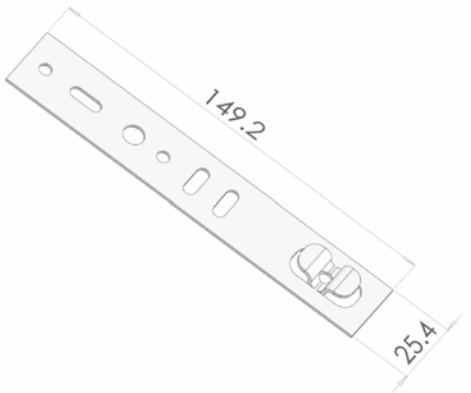
### Installation Straps



Installation Strap / 6 Holes for NA Frame

**255475** 

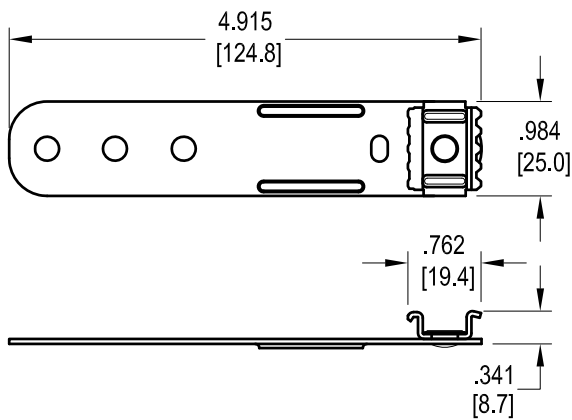
 BOX



Installation Strap / 7 Holes for NA Frame

**254095** 

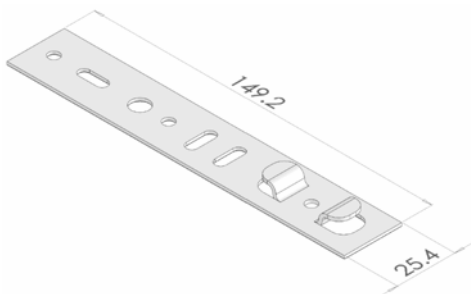
 BOX\*



Installation Strap / Swivelling for NA Frame

**604625** 

 BOX\*



Installation Strap / 7 Holes for EU Frame

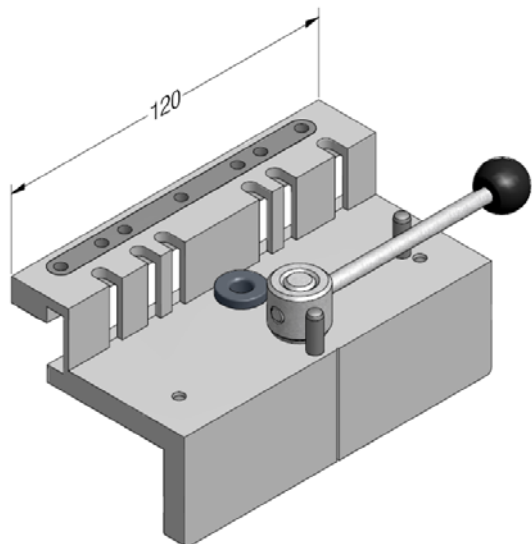
**255485** 

 BOX\*


# REHAU WINDOW SYSTEM 4500

## PROFILE PRINT

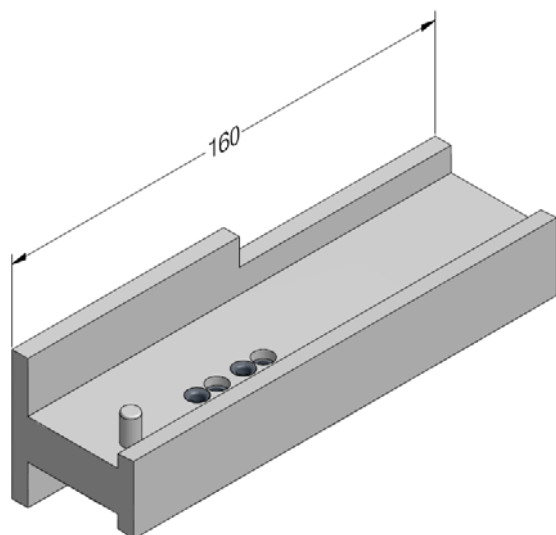
### Jigs




Drill Jig for Mechanical Joint / Frame

**261907** 

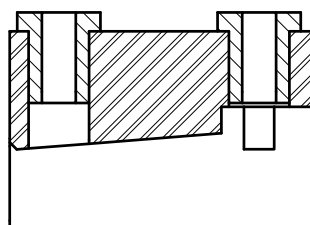
 BOX\*



Drill Jig for Mechanical Joint / T-mullion

**268512** 

 BOX\*



Drill Jig for Aluminum Threshold 260000

**265993** 

 BOX\*


# REHAU WINDOW SYSTEM 4500

## PROFILE PRINT

### Accessories



REHAU PVC Polish


**252280** 



BOX\*



Color Edging Pen

**255805** 

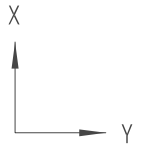


BOX\*

Please ask REHAU sales office for more color information.

# REHAU WINDOW SYSTEM 4500

## PROFILE PRINT



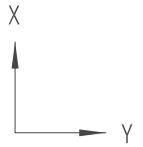
### Steel Reinforcement Profiles

Reinforcement Diagram	Thickness Art No.	Weight (kg/m)	Wind Load $I_x$ cm <sup>4</sup> (in <sup>4</sup> )	Glass Load $I_y$ cm <sup>4</sup> (in <sup>4</sup> )
	1.5 mm <b>244506</b>	1.05	2.48 (0.0596)	1.10 (0.0264)
	2.0 mm <b>244536</b>	1.99	4.96 (0.1192)	1.98 (0.0476)
	1.5 mm <b>237091</b>	1.31	2.76 (0.0663)	2.11 (0.0507)



# REHAU WINDOW SYSTEM 4500

## PROFILE PRINT

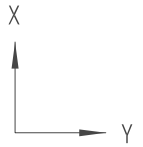


### Steel Reinforcement Profiles

Reinforcement Diagram	Thickness Art No.	Weight (kg/m)	Wind Load $I_x \text{ cm}^4$ ( $\text{in}^4$ )	Glass Load $I_y \text{ cm}^4$ ( $\text{in}^4$ )
	2.0 mm <b>261801</b>	1.23	1.86 (0.0447)	0.22 (0.0053)
	2.0 mm <b>554034</b>	2.18	10.46 (0.2514)	1.19 (0.0286)
	2.0 mm <b>350193</b>	1.83	4.56 (0.1096)	4.53 (0.1089)
	2.0 mm <b>338570</b>	2.58	6.48 (0.1557)	6.07 (0.1459)

# REHAU WINDOW SYSTEM 4500

## PROFILE PRINT

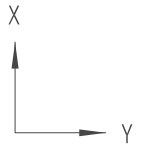


### Steel Reinforcement Profiles

Reinforcement Diagram	Thickness Art No.	Weight (kg/m)	Wind Load $I_x$ cm <sup>4</sup> (in <sup>4</sup> )	Glass Load $I_y$ cm <sup>4</sup> (in <sup>4</sup> )
	2.0 mm <b>268742</b>	2.16	7.9 (0.1898)	7.7 (0.1850)
	2.0 mm <b>251886</b>	2.63	8.45 (0.2031)	11.95 (0.2872)
	2.0 mm <b>259894*</b>	2.63	10.19 (0.2449)	10.19 (0.2449)

# REHAU WINDOW SYSTEM 4500

## PROFILE PRINT



### Steel Reinforcement Profiles

Reinforcement Diagram	Thickness Art No.	Weight (kg/m)	Wind Load $I_x$ cm <sup>4</sup> (in <sup>4</sup> )	Glass Load $I_y$ cm <sup>4</sup> (in <sup>4</sup> )
	2.0 mm <b>350286</b>	2.02	15.05 (0.3617)	0.38 (0.0091)
	2.0 mm <b>258881*</b>	3.57	37.58 (0.9030)	12.78 (0.3071)
	6.0 mm <b>252384*</b>	4.71	50.00 (1.2015)	0.18 (0.0043)

# REHAU WINDOW SYSTEM 4500

## PROFILE PRINT

### Article List

Article Number	Description	Unit of Measure	Pack Qty	Rack Qty	Carton/Box Qty	Page
227848	Drip Rail / Aluminum	M	6			24
229107	Astragal End Cap / Right	Pc			100	17
229117	Astragal End Cap / Left	Pc			100	17
234300	Weldable Corners / Z & T Door Sash	Pc			16	33
237091	Steel Reinforcement 35 mm x 28 mm x 1.5 mm	M	6			6 / 7 / 8 / 10 / 20 / 40
238570	Steel Reinforcement 42 mm x 35 mm x 2.0 mm	M	6			13 / 14 / 41
241043	Distance Piece	Pc			20	18
244506	Steel Reinforcement 35 mm x 28 mm x 1.5 mm	M	6	1080		6 / 7 / 8 / 10 / 12 / 40
244536	Steel Reinforcement 35 mm x 28 mm x 2.0 mm	M	6	600		6 / 7 / 8 / 10 / 12 / 40
246535*	Steel Installation Bracket 2 for Expansion Joint	Pc			50	23
246545	Steel Installation Bracket 1 for Expansion Joint	Pc			50	22
246691	Distance Block	Pc			100	23
247608	Mechanical Joint / Large T-Mullion	Pc			100	34
247618	Mechanical Joint / Small T-Mullion	Pc			100	34
251886	Steel Reinforcement 50 mm x 40 mm x 2.0 mm	M	6	600		15 / 16 / 26 / 42
252280*	REHAU PVC Polish	Pc	20			39
252384*	Steel Reinforcement 100 mm x 6.0 mm	M	24.2			43
254095*	Installation Strap / 7 Holes for NA Frame	Pc			500	37
254315	T-Mullion End Cap Right / Left Set	Pc			50	18
255475	Installation Strap / 6 Holes for NA Frame	Pc			500	37
255485*	Installation Strap / 7 Holes for EU Frame	Pc			500	37
255805	Color Edging Pen	Pc	10			39
258523*	Drip Rail Retainer	M	6			24
258881*	Steel Reinforcement 80 mm x 40 mm x 2.0 mm	M	6			26 / 43
259894*	Steel Reinforcement 45 mm x 45 mm x 2.0 mm	M	6			21 / 42
260000	Aluminum Threshold	M	6	600		19
260243*	Mechanical Joint / Large Door T-Sash / Left	Pc			50	36
260253*	Mechanical Joint / Large Door T-Sash / Right	Pc			50	36
260555	Sash Ramp	Pc			100	32
260633	Screws for Mechanical Joint 6.3 x 70 mm	Pc			250	36
261582	Drain Cover cap	Pc			1000	32
261758	Zinc Diecast Mechanical joint for Large T-Mullion	Pc			50	34
261801	Steel Reinforcement 50 mm x 10 mm x 2.0 mm	M	6	1800		9 / 41
261907	Drill Jig for Mechanical Joint / Frame	Pc			1	38
264230	Screw Retainer	Pc			1000	24
265993	Drill Jig for Aluminum Threshold 260000	Pc			1	38
268381	6.6 mm Universal Fixture	Pc			500	36

# REHAU WINDOW SYSTEM 4500

## PROFILE PRINT

### Article List

Article Number	Description	Unit of Measure	Pack Qty	Rack Qty	Carton/Box Qty	Page
268512	Drill Jig for Mechanical Joint / Mullion	Pc			1	38
268742	Steel Reinforcement 40 mm x 50 mm x 2.0 mm	M	6	384		15 / 16 / 42
269460*	Drip Rail End Cap / Right	Pc			100	24
269470*	Drip Rail End Cap / Left	Pc			100	24
269632*	End Cap for Aluminum Threshold / Right	Pc			50	19
269642*	End Cap for Aluminum Threshold / Left	Pc			50	19
350193	Steel Reinforcement 42 mm x 35 mm x 2.0 mm	M	6	540		13 / 14 / 41
350286	Steel Reinforcement 70 mm x 11 mm x 2.0 mm	M	6			22 / 43
351164	Shim Support	Pc			1000	32
353616*	Weldable Corners Installation Tool	Pc			1	33
500544	Drain Cover Cap	Pc			1000	32
507001	22.5 mm Glazing Stop	FT	480	12000		25
508000	Door Sash T118	FT	40	800		16
508001	Frame 68	FT	80	1680		8
508002	Sash Z60	FT	40	1280		12
508003	Sash Z74	FT	40	2240		13
508004	T-Mullion 86	FT	60	1680		10
508005	6.5 mm Glazing Stop	FT	480	14400		25
508006	14.5 mm Glazing Stop	FT	480	17280		25
541030	T-Mullion 68	M	36	576		9
541130	Door Sash Z98	M	19.5	351		15
541170	Sash T94	M	24	384		14
541220	Sloped Glazing Shim	M	72	1152		31
541600*	Compensation Profile	M	18			20
554004	Static T-Mullion 86	FT	40	1680		11
554024	Static T-Mullion 86 Cover	FT	360	12960		11
554032	Static T-Mullion Bracket	EA	75			35
554033	Gasket for Static T-Mullion Bracket	EA	1722			35
554034	Steel Reinforcement 60 mm x 16 mm x 2.0 mm	FT	20	20000		11 / 41
554230	Astragal 62	M	36	648		17
560014*	Expansion Joint	M	24	600		22
560015*	External Reinforcement Cover	M	39	6000		26
560290*	Corner Post	M	36			21
560510*	22.5 mm Glazing Stop	M	144			25
560590	10.5 mm Glazing Stop	M	144			25
560610	18.5 mm Glazing Stop	M	144	2880		25
560700*	H-Connector / Chambered	M	139.2			27

# REHAU WINDOW SYSTEM 4500

## PROFILE PRINT

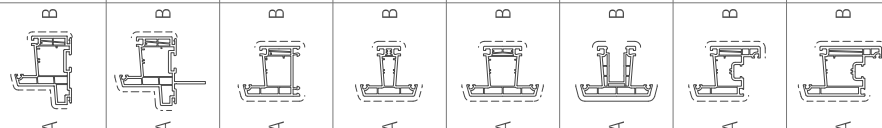
### Article List

Article Number	Description	Unit of Measure	Pack Qty	Rack Qty	Carton/Box Qty	Page
561007*	Sealing Support	M	144			31
561273*	Frame Extension 20 mm	M	48			27
561510	Drip Rail	M	144	576		24
561520	30.5 mm Glazing Stop	M	144			25
561620	14.5 mm Glazing Stop	M	144	1728		25
561780	Transport Setting Block	FT	540			31
561892*	Coupling Profile / Chambered	M	73.2			27
600216	Flush Frame Chambered	FT	1000			28
600226	Wide Frame Connector	FT	1000			28
600796	Screen Frame / Horizontal	FT	400	10000		31
600806	Screen Frame / Vertical	FT	500	20000		31
601205	3 1/4" Frame w/o Fin	FT	40	1680		6
601215	3 1/4" Frame w/ Fin	FT	40	800		7
601225	In-Swing Door Sub-Sill	FT	120	3000		19
601235	Out-Swing Door Sub-Sill	FT	120	2040		19
601295	Screen Track / Sliding	FT	400	4000		24
601575	2.5 mm Glazing Spline	FT			1640.42	29
604625	Installation Strap / Swivelling for NA Frame	Pc			1000	37
619845*	Chambered Mullion Cover	FT	160			28
623651	Cladding Profile	M	72			30
627061	Reinforcement Profile 1	M	36			26
645594	10 mm Drain Cover Cap	Pc			1000	32
732460*	Coupling Profile / Flat	M	144			27
864940	Astragal Seal	M			300	29
864952	Sash / Frame Seal	M			500	29
864992	4.8 mm Glazing Spline Nr.65	M			400	29
865002	5.8 mm Glazing Spline Nr.66	M			400	29
865012	6.8 mm Glazing Spline Nr.67	M			300	29
865022	7.8 mm Glazing Spline Nr.68	M			300	29
865070	Door Threshold Seal	M			50	29
865520	Seal for Expansion Joint	M			200	23
865570	Door Threshold Seal / Inward	M			150	29
865580	Bi-fold Door Gasket (Package of 4)	Pc	4			30
865960	Seal for Bi-fold Door	M	100			30

# REHAU WINDOW SYSTEM 4500

## PROFILE PRINT

### Main Profiles Colors

			Variant No.								
Midnight	Clay		856	856	856	856	856	856	856		
Silver D	Clay		196	196	196	196	196	196	196		
Bronze NA	Clay		506	506	506	506	506	506	506		
Midnight	Beige		853	853	853	853	853	853	853		
Silver D	Beige		193	193	193	193	193	193	193		
Bronze NA	Beige		503	503	503	503	503	503	503		
Midnight	White		851	851	851	851	851	851	851		
Silver D	White		191	191	191	191	191	191	191		
Bronze NA	White		501	501	501	501	501	501	501		
Folled on Tower Side (A)	Profile Base Color	Folled on Rebate Side (B)	<b>Description</b>	3 1/4" Frame w/o Flt	3 1/4" Frame w/ Flt	Frame 68	T-Mullion 68	T-Mullion 86	Static T-Mullion 86	Sash Z60	Sash Z74
			<b>Art. No.</b>	601205	60115	508001	541030	5508004	554004	508002	508003
				A	A	A	A	A	A	A	A

For delivery and detailed information, please contact your regional REHAU Sales Representatives.



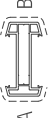





# REHAU WINDOW SYSTEM 4500

## PROFILE PRINT

### Accessory Profiles Colors

			Variant No.										
Midnight	Clay		856	856									
Silver D	Clay		196	196									
Bronze NA	Clay		506	506									
Midnight	Beige		853	853									
Silver D	Beige		193	193									
Bronze NA	Beige		503	503									
Midnight	White		851	851									
Silver D	White		191	191									
Bronze NA	White		501	501									
Foiled on Exterior Side (A)	Profile Base Color	Foiled on Interior Side (B)	<b>Description</b>	Expansion Joint	Frame Extension 20 mm								
			<b>Art. No.</b>	<b>560014</b>	<b>561273</b>								
													

For delivery and detailed information, please contact your regional REHAU Sales Representatives.

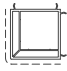
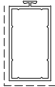






# REHAU WINDOW SYSTEM 4500

## PROFILE PRINT

### Accessory Profiles Colors

		Variant No.								
Midnight	Clay		856	856	856	856	856	856	856	856
Silver D	Clay		196	196	196	196	196	196	196	196
Bronze NA	Clay		506	506	506	506	506	506	506	506
Midnight	Beige		853	853	853	853	853	853	853	853
Silver D	Beige		193	193	193	193	193	193	193	193
Bronze NA	Beige		503	503	503	503	503	503	503	503
Midnight	White		851	851	851	851	851	851	851	851
Silver D	White		191	191	191	191	191	191	191	191
Bronze NA	White		501	501	501	501	501	501	501	501
Folled on Profiles	Profile Base Color	<b>Description</b>	Corner Post	Reinforcement Profile 1	External Reinforcement Cover	Coupling Profile Chambered	H-Connector Chambered	Coupling Profile Flat	Chambered Mullion Cover	Wide Frame Connector
		Art. No.	560290	627061	560015	561892	560700	732460	619845	600226
										




For delivery and detailed information, please contact your regional REHAU Sales Representatives.



# REHAU WINDOW SYSTEM 4500

## PROFILE PRINT

### Accessory Profiles Colors

		Variant No.									
Midnight	Clay		856	856	856						
Silver D	Clay		196	196	196						
Bronze NA	Clay		506	506	506						
Midnight	Beige		853	853	853						
Silver D	Beige		193	193	193						
Bronze NA	Beige		503	503	503						
Midnight	White		851	851	851						
Silver D	White		191	191	191						
Bronze NA	White		501	501	501						
Folled on Profiles	Profile Base Color	<b>Description</b>	Flush Frame Connector	Drip Rail	Static T-Mullion 86 Cover						
		<b>Art. No.</b>	<b>600216</b>	<b>561510</b>	<b>554024</b>						
											

For delivery and detailed information, please contact your regional REHAU Sales Representatives.



---

The information contained herein is believed to be reliable, but no representations, guarantees or warranties of any kind are made as to its accuracy, suitability for particular applications or the results to be obtained therefrom. Before using, the user will determine suitability of the information for user's intended use and shall assume all risk and liability in connection therewith.

© 2016 REHAU