

Technical / Marketing Bulletin 22-01

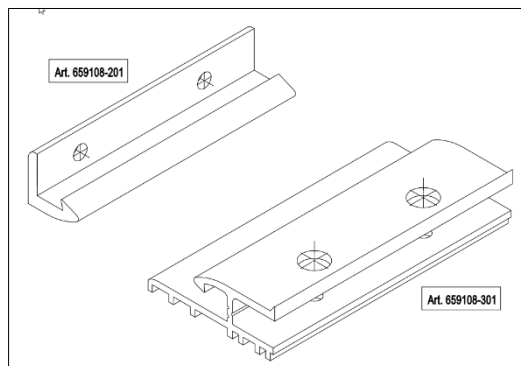
Aspekt 1800: Fixed sash retaining clips

Product: Fixed casement sash clip-female, Art. 659108-201 and
fixed casement sash clip-male, Art. 659108-301

Date: 31-Mar-2022

As part of REHAU's continuing improvement policy, we would like to inform you about two new fixed casement sash retaining clips that are now available for our REHAU Aspekt™ 1800 casement system.

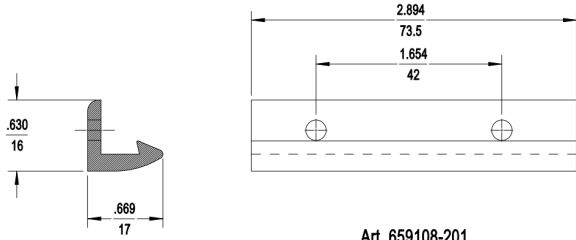
Art. 659108-201 and Art. 659108-301 will replace the casement fixed sash clips Art. 255602-201 and 255602-301 effective immediately.



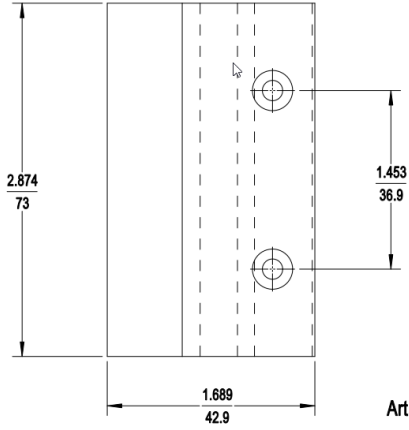
The new clips have been specifically designed for the Aspekt casement window and have the following features:

- Each half of the new clip is made of rigid, extruded uPVC and is 2.88 in (73 mm) in length with pre-drilled holes for attachment screws.
 - Each half of the new clip design self-locates on the Aspekt sash and frame profiles and must be fastened with standard #8 x 3/4 in (19 mm) pan-head sheet metal screws.
 - After installation of the clips, following the recommended application details, the sash and frame can be easily snapped together in the factory or at the jobsite.
- In case of glass breakage on a finished or installed window unit, the sash can be removed from the interior side of the window by inserting a stiff, flat-blade putty knife to retract the female clip starting in one corner and working around the perimeter of the sash. PLEASE NOTE: It is recommended that this procedure be carried out by a skilled fenestration installer or technician.

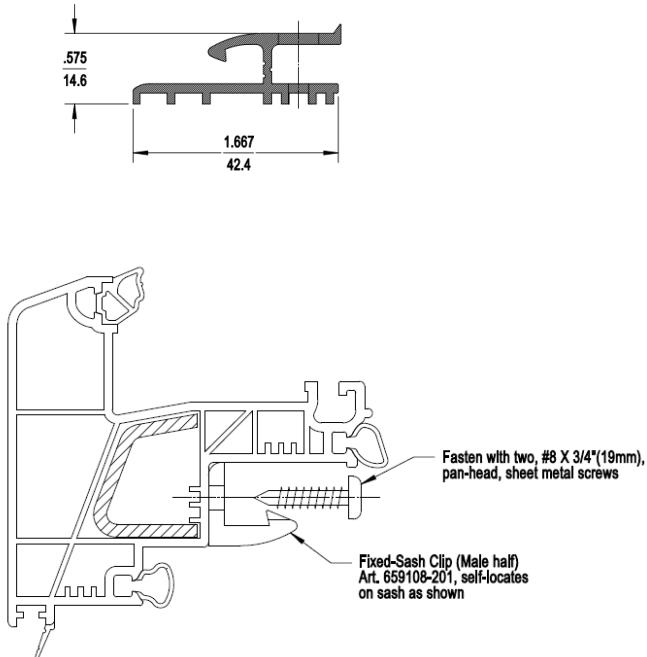
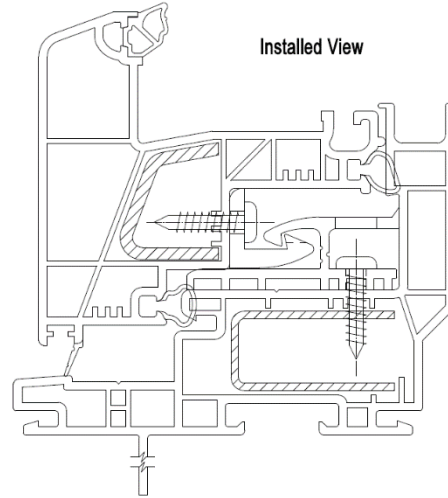
Part drawings, installation and application details for the new fixed sash clip designs are shown on the following pages.



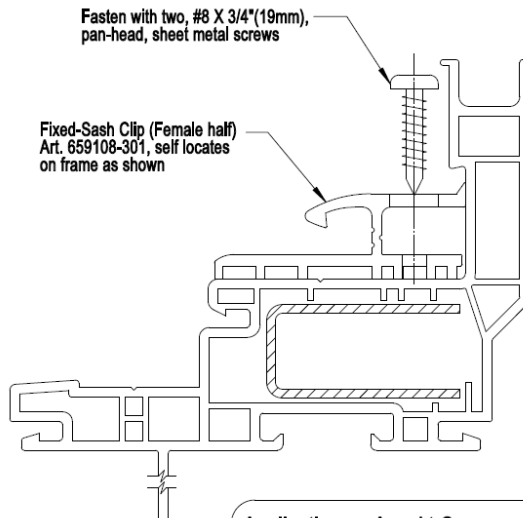
Art. 659108-201



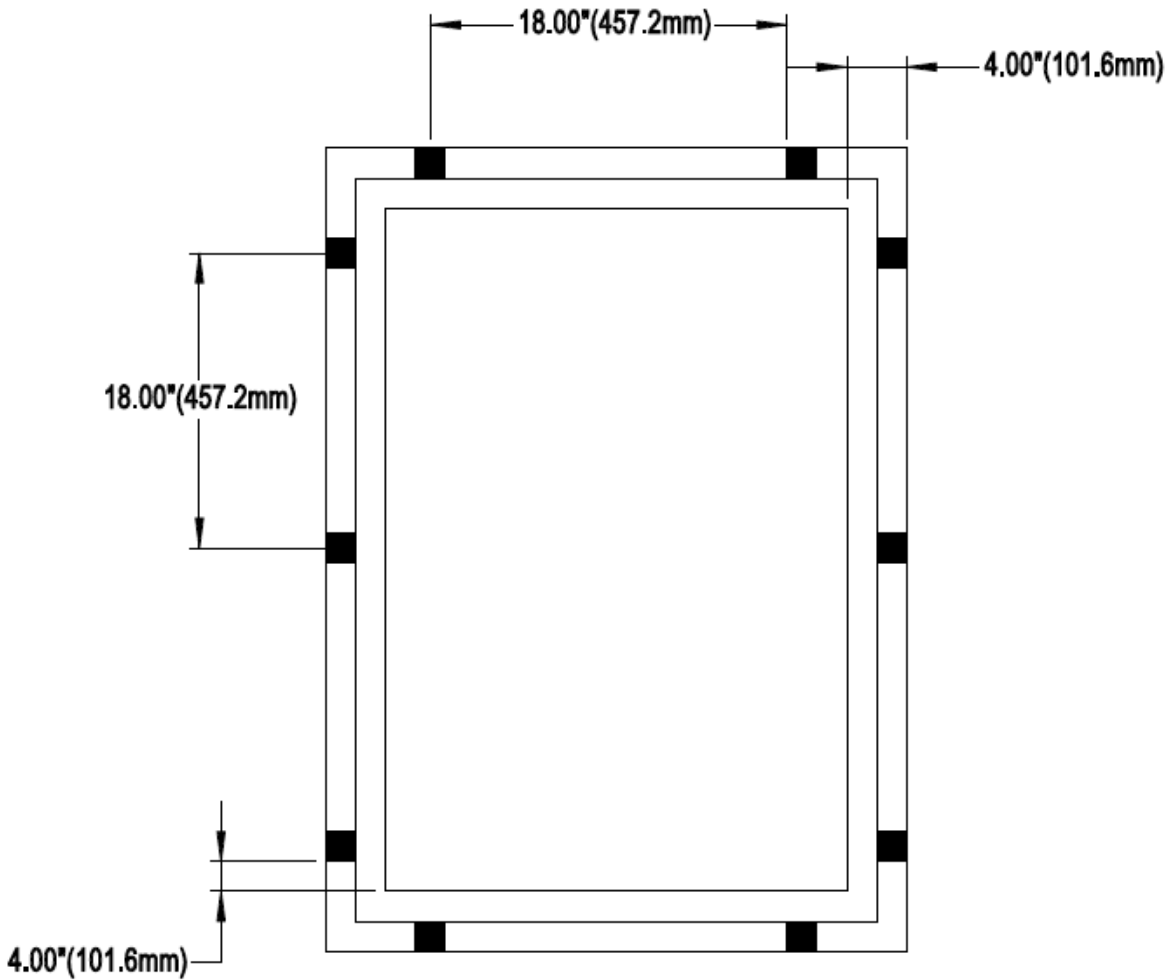
Art. 659108-301



Application on Aspekt Sashes;
 Art. 659401
 Art. 659107



Application on Aspekt Casement Frames:
 659407/659408 (shown)
 659402/659403/659404/659405
 659409/659419



PLEASE NOTE:
 Space sash clips 4" (101.6mm) from corners and to a maximum of 18" on center.

If you have any questions, please contact your REHAU sales representative.

For updates to this publication, visit na.rehau.com/resourcecenter

The information contained herein is believed to be reliable, but no representations, guarantees or warranties of any kind are made as to its accuracy, suitability for particular applications or the results to be obtained therefrom. Before using, the user will determine suitability of the information for user's intended use and shall assume all risk and liability in connection therewith. To the extent permitted by law, REHAU EXPRESSLY DISCLAIMS ALL IMPLIED WARRANTIES, INCLUDING BUT NOT LIMITED TO, ANY IMPLIED WARRANTIES OF MERCHANTABILITY OR OF FITNESS FOR A PARTICULAR PURPOSE.

© 2022 REHAU