

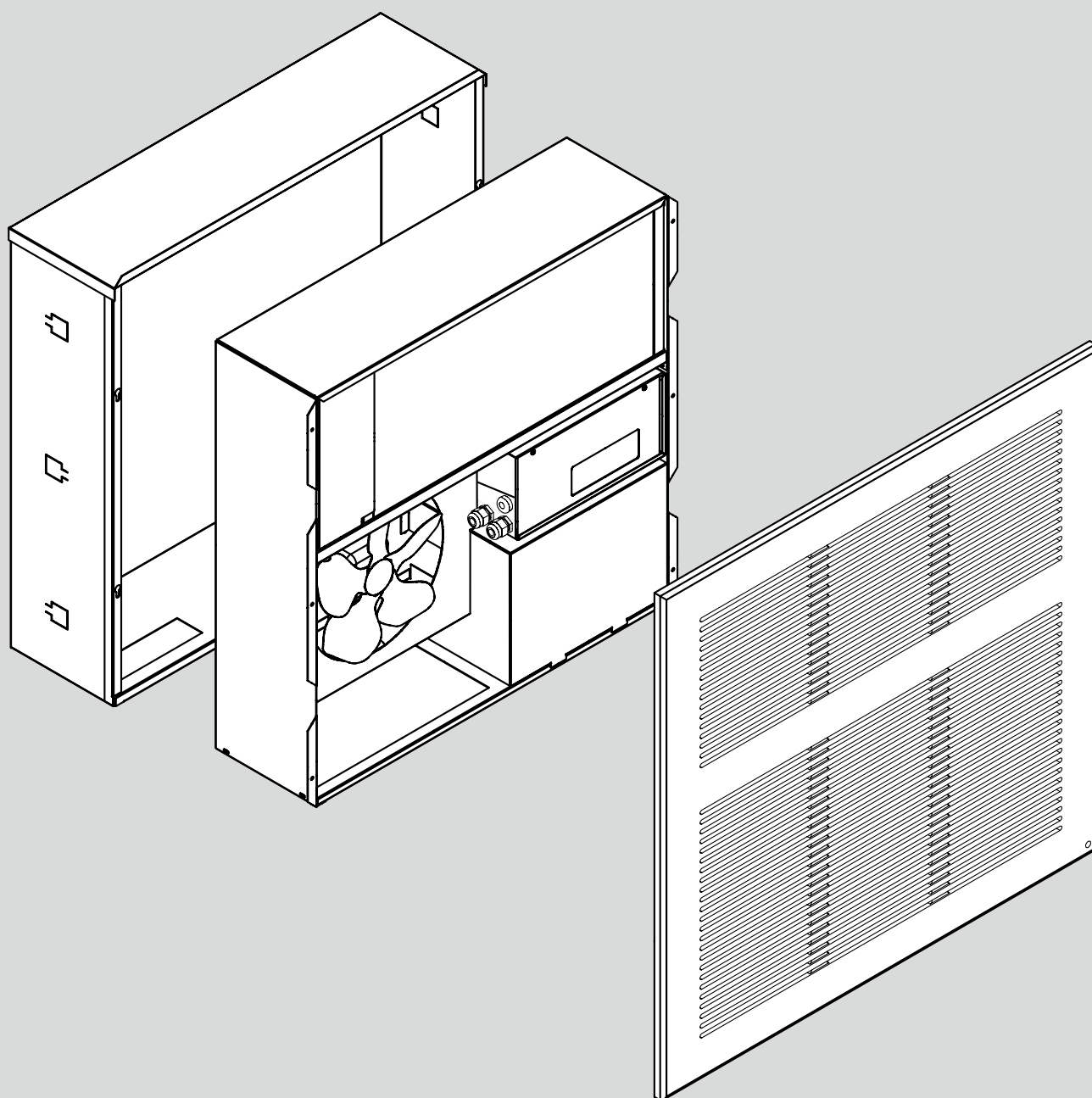
DHU W 22 L

- EN Dehumidifier
Instructions for installation, commissioning and maintenance
- ES Deshumidificador
Instrucciones de montaje, puesta en marcha y mantenimiento
- FR Déshumidificateur
Instructions de montage, de mise en service et de maintenance
- IT Deumidificatore
Istruzioni di montaggio, messa in funzione e manutenzione
- PT Desumidificador
Instruções para montagem, colocação em funcionamento e manutenção



Contents / Contenido / Table des matières / Indice / Índice

Instructions for installation, commissioning and maintenance	3
Instrucciones de montaje, puesta en marcha y mantenimiento	21
Instructions de montage, de mise en service et de maintenance	39
Istruzioni di montaggio, messa in funzione e manutenzione	57
Instruções para montagem, colocação em funcionamento e manutenção	75



Dehumidifier DHU W 22 L

Instructions for installation, commissioning and maintenance

Contents

01	Information and safety instructions	05
02	Product description	07
02.01	General	07
02.02	Components	07
02.03	Technical data	08
02.04	Electrical diagram	09
03	Installation instructions	10
03.01	Packaging and scope of supply	10
03.02	Installing the unit	10
03.03	Water-side connections	12
03.04	Power supply and control connection	13
03.05	Installing the grille	14
04	Commissioning and operation	16
04.01	Display and operation	16
04.02	Commissioning	17
04.03	Operation and maintenance	18
04.04	Spare parts	19
04.05	Disassembly and disposal	19

01 Information and safety instructions



About these instructions

Read these instructions thoroughly and completely before you start working with the dehumidifier. Keep this document for the entire lifetime of the machine and pass it on to subsequent users. To view and download the current version of these and other guides, see www.rehau.com/TI.



Electrical voltage! Danger to life!



Safety instructions



Legal notice



Important information



Further information can be found on the internet, for example



Security

All safety instructions in these instructions must be observed in order to avoid accidents with personal damage or property damage.



This document has been written for authorised and qualified personnel.

The product must be installed and operated in strict accordance with the relevant information and specifications in this document. The manufacturer accepts no responsibility for modifications made to the product by the user.

Failure to comply with the regulations and specifications contained in these instructions will result in the immediate expiry of the warranty. It is in your interest to contact the manufacturer immediately if discrepancies are found or uncertainties exist.



Attention: danger to life!

- The electrical installation may only be carried out by an electrically skilled person. The electrical installation must follow the applicable national standards and guidelines as well as any specific requirements of your local energy supplier.
- Interventions or modifications to the unit using tools may only be carried out by qualified service personnel.
- Installation of the unit must be carried out by qualified personnel and in accordance with the applicable safety standards.
- This unit is not intended to be used by persons (including children) with restricted physical, sensory or mental skills or who lack experience or knowledge.
- Ensure that children do not play with this product.
- This machine has been designed and manufactured according to the strictest safety regulations. Nevertheless, no sharp objects (screwdrivers, needles or similar) may be inserted in the grilles or other unit openings.
- The dehumidifier must be connected to a power supply that is adequately protected by a residual current circuit breaker. An electrical disconnect must be provided near the unit to allow the user to intervene in safe conditions. This disconnect must always be used to eliminate hazards during maintenance (electric shock, burns, automatic restart, moving parts and remote control).
- The unit must always be connected to the earth cable of the electrical system. Failure to comply with this regulation, as with all electrical equipment, is a cause of danger for which the manufacturer accepts no liability.
- The machine must be installed in accordance with the energy supplier's local installation regulations.
- All maintenance and cleaning work on the unit must be carried out in a de-energised state. Never remove or open any part of the unit without first disconnecting the power supply.



Installation situation

- The unit must be placed in a clean and dry place, protected from splashing water and drops of water.
- This unit is intended for indoor use in buildings.
- Ensure that the grille is not covered or blocked: The unit may otherwise be damaged and cause hazards.



Cleaning

Clean the filter regularly: Cleaning must be carried out at least every two months. When used in very dusty environments, cleaning must be carried out more frequently. Information on maintenance and cleaning procedures can be found further towards the end of these instructions.

If the filter is dirty, the air comes out hotter than normal, which can damage the appliance and reduce the formation of condensation.



Personal protective equipment

Use the following personal protective equipment when operating and carrying out maintenance on the machine:



Persons carrying out maintenance work or working with the unit should wear antistatic safety shoes with non-slip soles.



Gloves: The use of suitable gloves is required for cleaning and maintenance work.



Safety glasses must be worn as eye protection during cleaning and maintenance work.

Safety sign

Every effort has been made in the design and manufacture of the machine to eliminate risks. The system is marked with the following safety signs, which must be observed:



General danger



Danger of electric shock

General information

These instructions and the documents supplied are intended to enable the installer to correctly install and commission the machine without endangering persons or causing damage to the device. They also enable the subsequent user to clean the filter safely and correctly.

We recommend that the following be observed for all activities related to the operation and maintenance of the machine:

- Activities to be carried out only by suitably qualified persons who must apply safe working practices and use the appropriate personal protective equipment for the task in hand.
- Activities to be carried out only by appropriately instructed and trained persons who have read and understood these instructions, the technical information and the safety instructions.
- Access to the machine must be denied to persons who are not appropriately trained or competent.

CE conformity

The machine described in these instructions, in combination with the products metal case DHU and the grille DHU G-W and when installed in strict accordance with these instructions, meets the fundamental requirements of the following European directives:

- Electrical safety for low-voltage applications 2014/35/EU,
- Electromagnetic compatibility 2014/30/EU,
- Pressure equipment 2014/68/EU,
- RoHS directive 2011/65/EU.

The following harmonised standards were applied

- DIN EN 60335-2-40: 2014-01
- DIN EN 60335-1: 2020-08
- DIN EN 55014-1/A11: 2021-03
- DIN EN 55014-2: 2017-03
- DIN EN 378-2: 2018-04
- DIN EN IEC 63000: 2019-05

02 Product description

02.01 General

In regions with high temperatures and high humidity, there is a risk of condensation water forming on the cooling surfaces of a embedded radiant cooling system. In addition, too much humidity can have negative effects on thermal comfort. For this reason, it makes sense to reduce the humidity in rooms. The DHU W 22 L dehumidifier was specially developed for use in combination with REHAU embedded radiant cooling system. The external control of the unit is taken care of using the REHAU control system NEA SMART 2.0.

02.02 Components

The mode of this dehumidifier is the Air dehumidification. The air is dehumidified, whereby the temperature at the inlet and outlet is almost the same.

The dehumidifier consists of an air filter, a refrigerant circuit, a water circuit that can be connected to the cooling circuit of the embedded radiant cooling system, a fan and an electronic unit.

The air filter ensures that the amount of dirt and dust entering the machine is reduced. It must be cleaned regularly. Please refer to chapter 04.03.

The water circuit, which can be connected to a hydraulic circuit of the embedded radiant cooling system, has two fin coil heat exchangers with air flow, the pre-cooler and the post-cooler.

The refrigerant circuit consists of the following components:

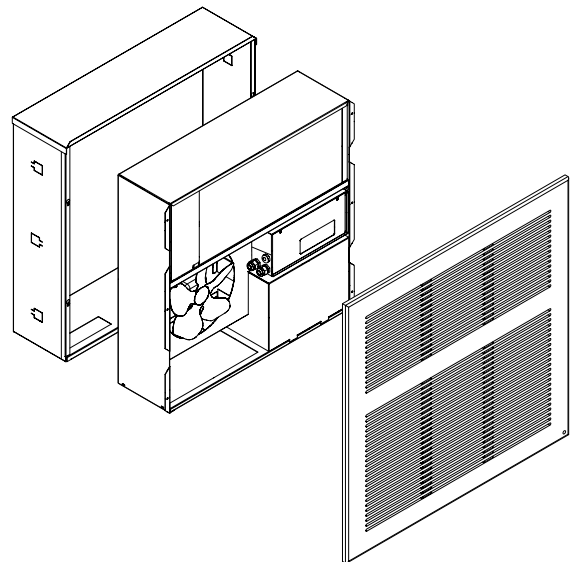
A fin coil heat exchanger with air flow where the air is dehumidified, is the evaporator of the refrigerant circuit. The required energy is extracted from the environment. This is the so-called cold area.

The compressor of the circuit is a hermetic reciprocating piston compressor for building up the pressure of the refrigerant.

Another fin coil heat exchanger with air flow is the condenser of the refrigerant circuit, depending on the operating mode. Heat is released during this process. This is the so-called warm area.

For monitoring and controlling the machine, there is an electronic unit with microprocessor and display.

The microprocessor controls the defrosting phases as well as switching on and off of the compressor and the fan.

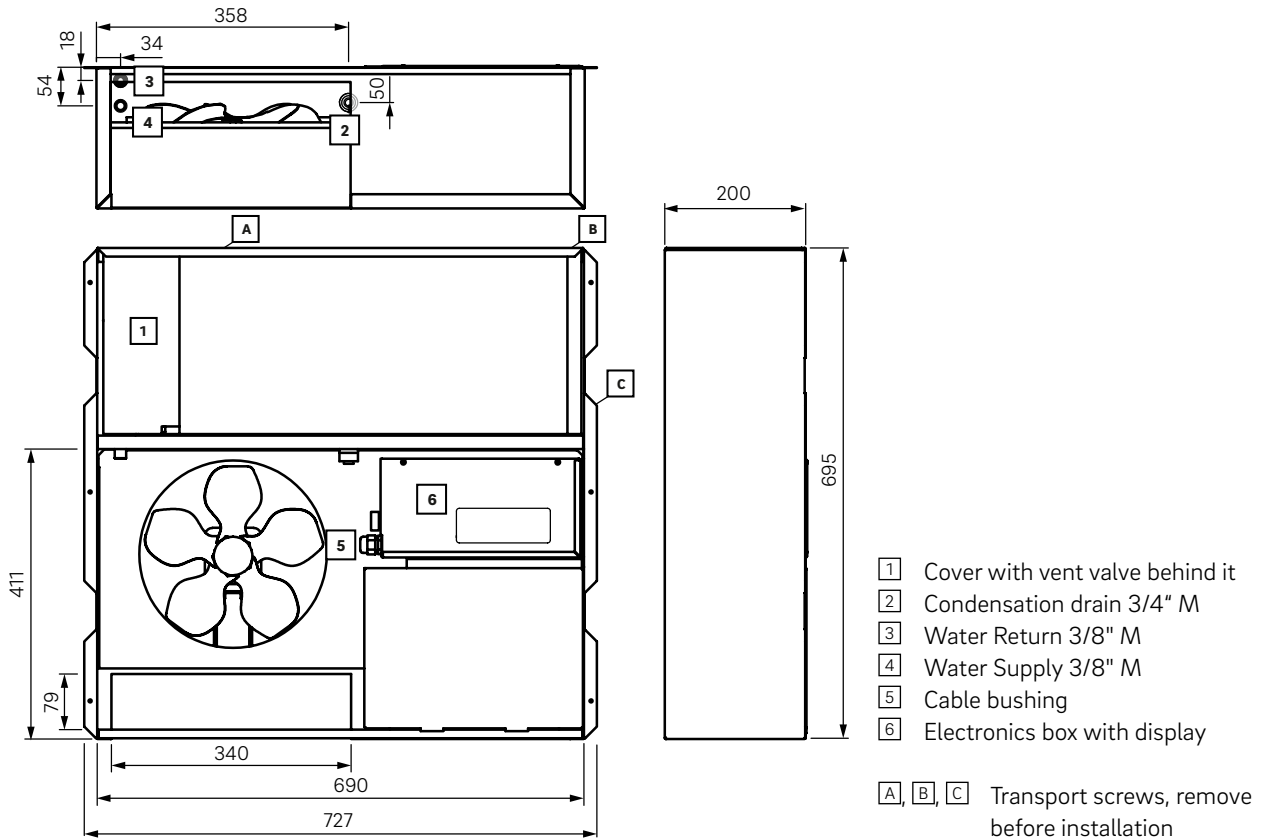


02.03 Technical data

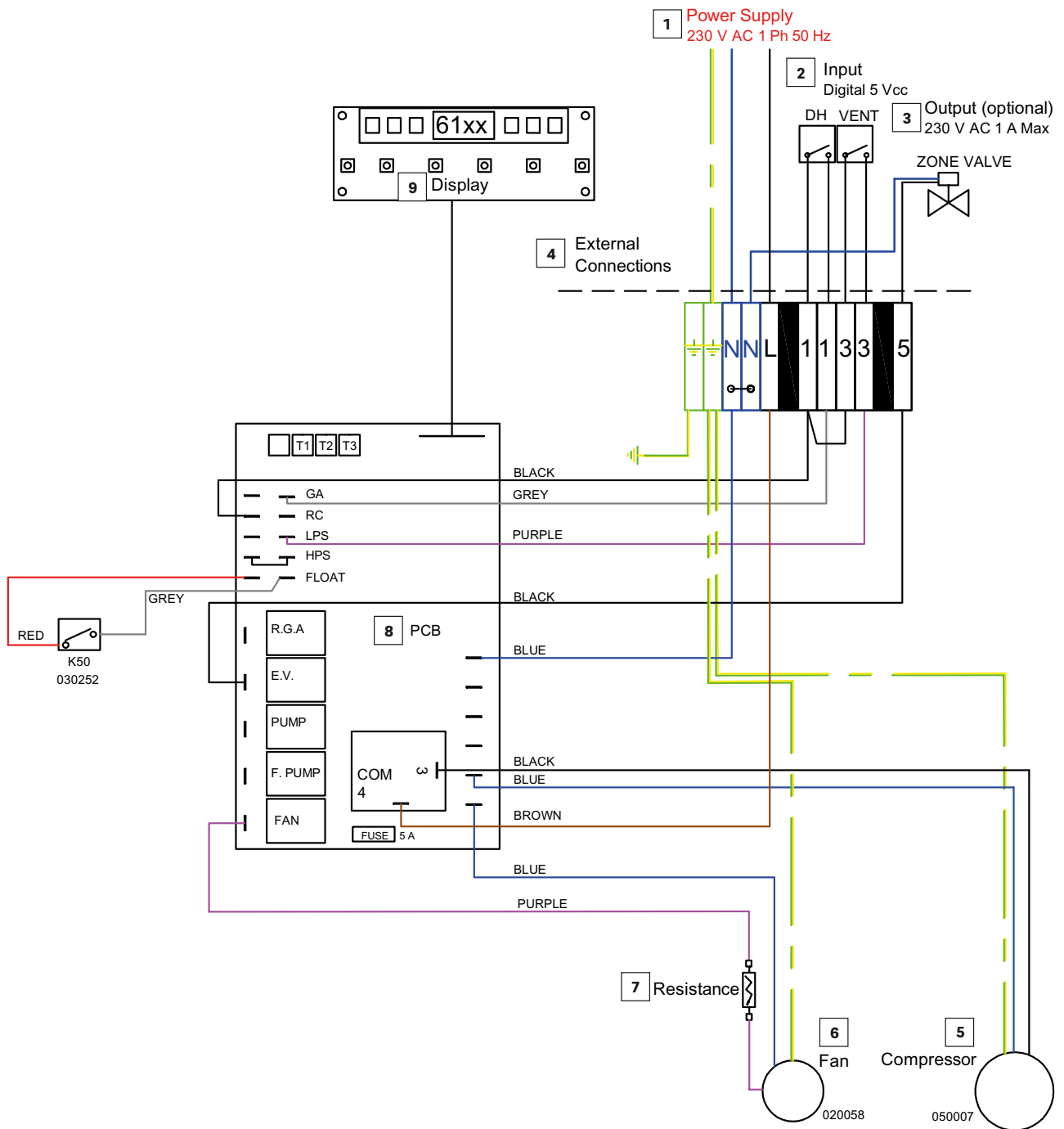
Power supply	230 V AC, 50 Hz
Electrical power ¹⁾	410 W
Maximum current consumption	3,5 A
Switch-on current (LRA)	20,0 A
Air flow rate (clean filter)	190 m ³ /h
Refrigerant R134a	400 g
Operating range – temperature	10 – 32 °C
Operating range – relative humidity	45 – 98 %
Dehumidification capacity ^{1), 2)}	22 l/d
Water-side capacity ¹⁾	1130 W
Water flow rate	180 l/h
Pressure loss in the water circuit at 180 l/h	14 kPa
Dimensions (L x H x B)	727 mm x 695 mm x 200 mm
Weight with filled water circuit	35,1 kg

¹⁾ Air: 25 °C, 65 % relative humidity / water: 16 °C, 180 l/h

²⁾ Dehumidification capacity measured according to DIN EN 810 and DIN EN 1397



02.04 Electrical diagram



- 1 Voltage and power supply
- 2 Input signals (Digital 5 Vcc)
- DH Hygrostat – starts dehumidification
 - VENT starts ventilation
- 3 Output signal (optional, 230 V AC 1 A Max)
ZONE VALVE water circuit actuator

- 4 On-site connections
- 5 Compressor
- 6 Fan
- 7 Resistance
- 8 Printed circuit board
- 9 Display

03 Installation instructions



The work must be carried out by qualified personnel.

03.01 Packaging and scope of supply

Remove the packaging carefully, taking care not to damage the unit.



Read these installation instructions thoroughly and completely before you start working with the product. Keep the installation instructions for the entire service life of the machine and pass them on to subsequent users.

Keep the packaging material out of the reach of children and animals as this can lead to dangerous situations.



Dispose of the packaging products (wood, plastic, cardboard or polystyrene/Styrofoam) at specialised collection points or recycling centres in accordance with local regulations.



All components of the unit are assembled and tested at the factory. On receipt of the machine, it must be carefully inspected immediately for transport damage and missing parts.

Two additional products are necessary for the installation and use of this dehumidifier:

- REHAU metal case DHU, installed in the wall
- REHAU grille DHU G-W with an integrated filter at the air inlet



CE conformity applies only when the dehumidifier is used in combination with the associated REHAU products, the metal case DHU and the grille DHU G-W, and when installed in strict accordance with these instructions.

03.02 Installing the unit

This product is installed in the wall. To achieve this, a metal case is initially installed in an appropriate recess in the wall.



The availability of the required hydraulic and electrical connection lines and their correct positioning must be planned in advance.

The dehumidifier is then installed and connected within this metal case. The unit is covered with the grille, which is secured to the wall by a screw.



Installation situation

- The unit must be installed in a clean and dry place protected from splashing water and drops of water.
- This unit is intended for indoor use in buildings.



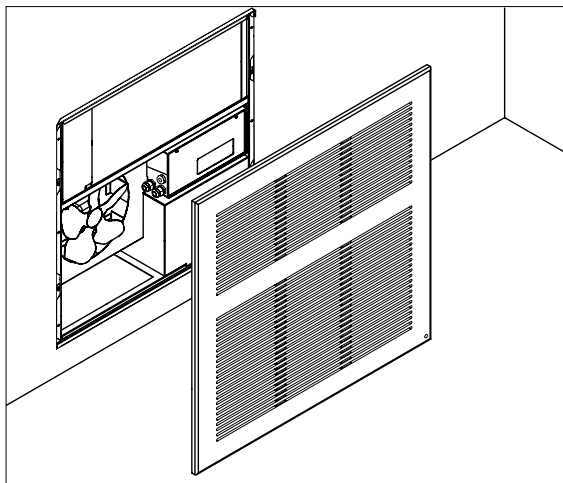
Observe a correct and stable installation of the metal case and the dehumidifier.

The following should be taken into consideration:

- The weight of the dehumidifier
- The material, the condition and the thickness of the wall
- Possible vibrations of the dehumidifier



- Be aware of the weight and sharp corners and edges of the unit and wear suitable protective clothing.
- Due to the weight, the installation should be carried out by at least two people.



Making the recess in the wall

The recess must be sufficiently dimensioned in accordance with the size of the metal case. It must be made so that the outer edges of the metal case are flush. See the figure below.



When creating the wall recess, note the necessary position of the electrical and hydraulic connections in the wall in the area shown.



Pay attention to the metal case installation height. A minimum distance of 7 cm to the surface of the floor covering must be adhered to for installation to allow the grille to be fitted.

Installing the metal case DHU

The metal case must be installed to suit the existing wall.

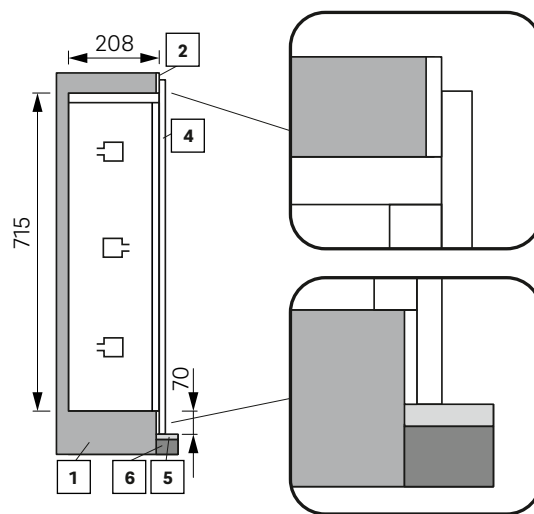
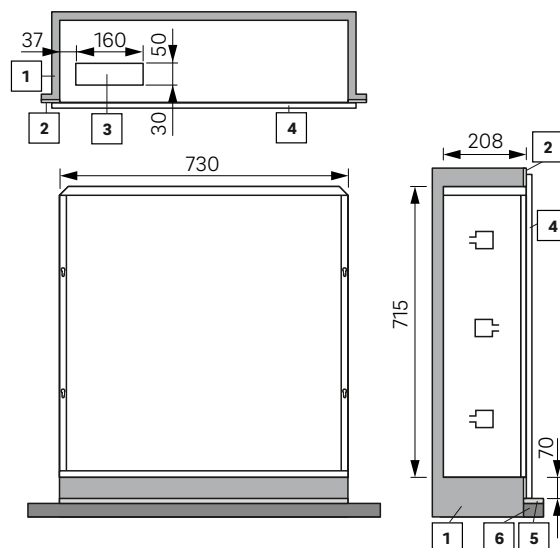
In the case of a solid wall, the metal case can be bricked into the wall. The galvanised steel mesh on the back and the brackets on the sides of the metal case promote good bonding with the mortar.

In the case of a drywall, ensure that there is a sufficiently dimensioned support structure suitable for accepting the total weight and operation of the dehumidifier. The metal case must be permanently installed.

The metal case must be installed such that the lower edge is at least 7 cm above the finished floor covering. If the grille is located above a skirting board, the minimum distance of 7 cm must be extended by the height of the skirting board.



The transverse bracing should only be removed when the mortar has dried and the metal case is permanently fixed in place.



- 1 Wall
- 2 Plaster
- 3 Hole on the underside for the hydraulic and electrical lines
- 4 Grille
- 5 Floor covering
- 6 Screed

Inserting the dehumidifier

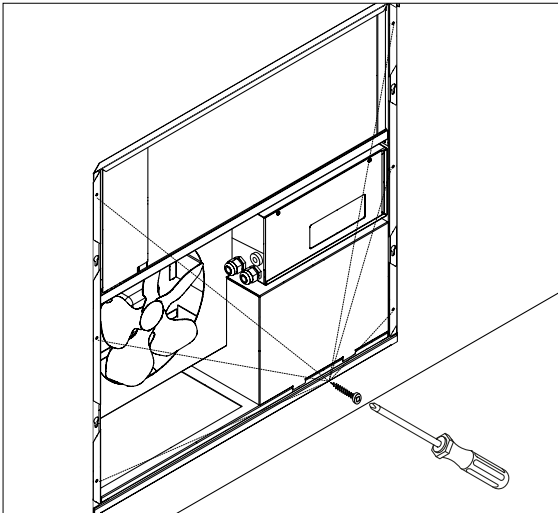


Remove the transport screws marked with A, B and C located on the top and the right of the unit.



Note that the unit may only be inserted into the metal case when the mortar is completely dry and the metal case is permanently fixed in place.

Before the dehumidifier can be inserted into the metal case, the transverse bracing must be removed. Once the unit has been correctly inserted into the metal case, it is fixed to the metal case using the screws provided.



03.03 Water-side connections

	Pipe dimension	Connection
Cooling circuit Supply/Return	$d_{in} \geq 16 \text{ mm}$	3/8" M
Condensation	$d_{in} \geq 16 \text{ mm}$	3/4" M

Water circuit



Provision of a water filter at the inlet of the dehumidifier is recommended in order to protect the water circuits of the unit.

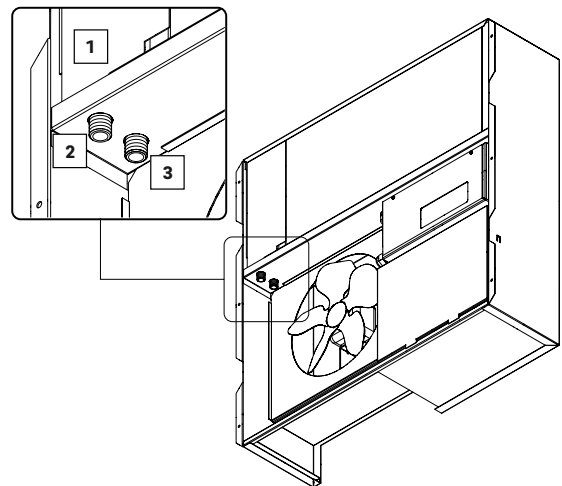
Use REHAU pipe RAUTHERM-S or RAUTITAN for the hydraulic connections to the dehumidifier (feed and return) and observe the applicable local regulations.

For the correct connection to the manifold of the embedded radiant cooling system and the setting of the correct flow rate, please observe the relevant installation instructions and the applicable local regulations. The nominal flow rate of the water circuit of this dehumidifier is 180 l/h.

Use suitable connection technology and suitable sealing material so that no water can escape in an uncontrolled fashion at the unit connection.

Carefully vent the water circuit using the relevant valve on the unit. The valve is located under the marked cover, which can be dismantled with two screws.

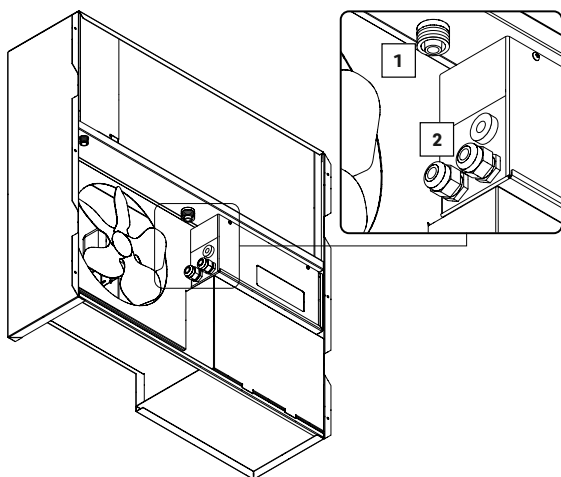
To avoid the formation of condensation on metallic connections, these must be insulated.



- 1 Cover with vent valve behind it
- 2 Water Return 3/8" M
- 3 Water Supply 3/8" M

Kondensatablauf

To prevent the formation of bad odours from the waste water, it is important to connect the condensation drain to a siphon. To facilitate cleaning, mount the siphon in an easily accessible place.



- 1 Condensation drain 3/4" M
2 Cable bushing

03.04 Power supply and control connection

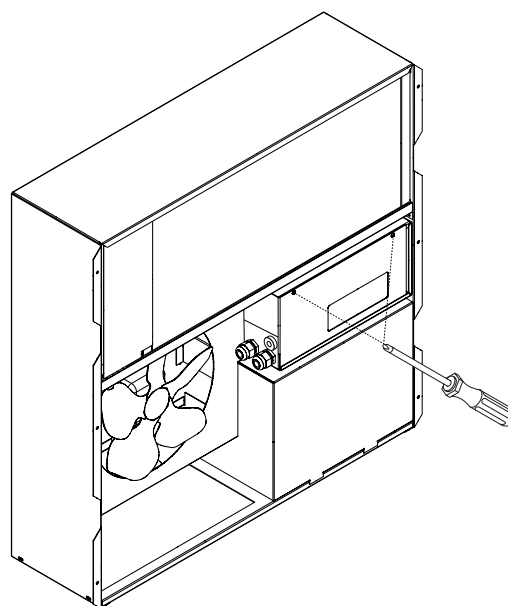
	Dimension	Connection
Power supply	minimum 3 x 1.5 mm ² , rigid	Terminal



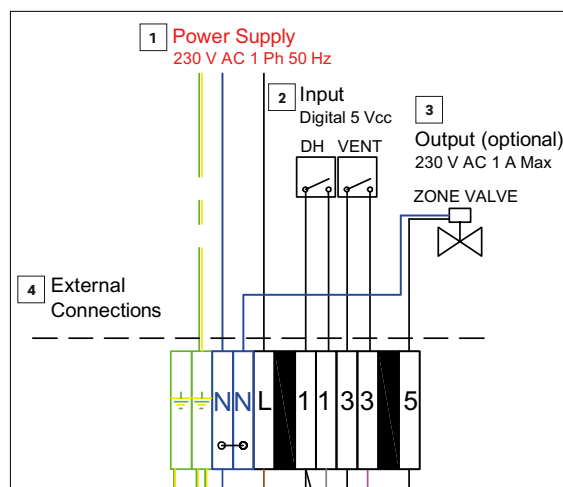
Attention: danger to life!

- The electrical installation may only be carried out by an electrically skilled person. The electrical installation must follow the applicable national standards and guidelines as well as any specific requirements of your local energy supplier.
- Before carrying out any work on the electrical components, make sure that the power supply is disconnected.
- The main power supply must be protected with a residual-current circuit breaker.
- An electrical disconnect must be provided near the unit to disconnect the power supply before maintenance and cleaning.
- Care must be taken to ensure that the regulations for electrical installations and equipment are fully complied with.
- Check to ensure the supply voltage corresponds to the rated data of the unit (voltage, frequency) on the type plate of the machine.
- Earthing is mandatory and must be connected first during installation.

Loosen the two screws of the electronics box and carefully remove the cover with the display.



Connect the power supply (230 V, AC, single-phase, 50 Hz) to the terminals phase L, neutral N and protective earth PE of the machine as shown in the illustration.



- 1 Voltage and power supply
2 Input signals (Digital 5 Vcc)
- DH Hygrostat – starts dehumidification
 - VENT starts ventilation
- 3 Output signal (optional, 230 V AC 1 A Max)
ZONE VALVE water circuit actuator
- 4 On-site connections

Potential-free contacts are provided for the control inputs of the machine. Connect the corresponding wires to the terminal as shown in the illustration. There are two different input signals:

- DH: Request for air dehumidification
- VENT: Request for continuous fan operation

The REHAU control system NEA SMART 2.0 can be used to control the dehumidifier. For correct connection and correct use, observe the relevant technical information and the locally applicable regulations.

If required, the REHAU actuator UNI 230 V, which is assigned to the water circuit of the dehumidifier, can be connected to the terminals of the ZONE VALVE output signal. When using an on-site actuator, please ensure that the nominal data of this actuator match the output signal 230 V AC 1 A Max of the dehumidifier.



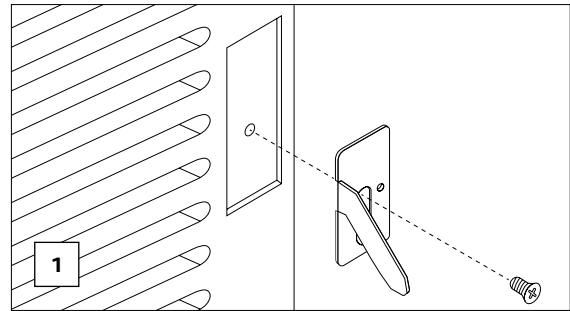
Use separate cables for the power supply, the input signals and the output signal and the cable glands provided at the factory for this purpose. If three cable glands are required for this, an additional cable gland must be installed on site at the location of the cable grommet. The factory-fitted cable glands are suitable for cables with an outer diameter of 6 – 12 mm.

Before using the unit, the electronics box cover must be properly closed again.

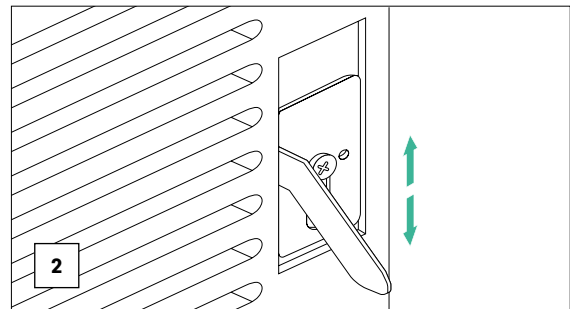
03.05 Installing the grille

Preparing the grille

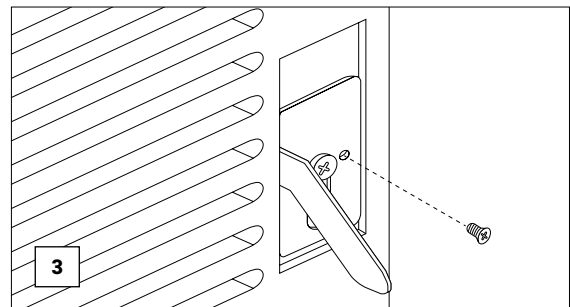
The following steps must be carried out to attach the four brackets to the back of the grille:



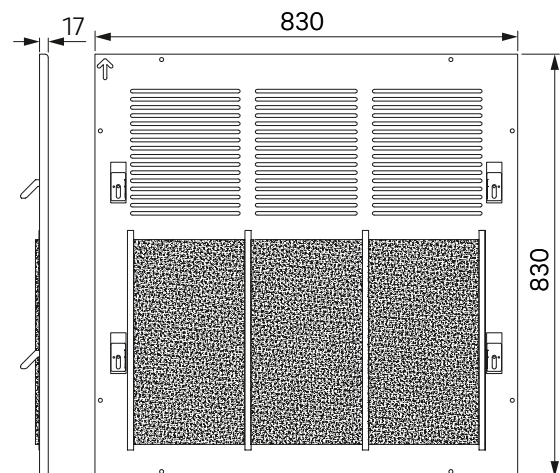
1 Position the bracket in the recess provided on the back of the grille and secure it using a threaded bolt. Ensure that the bracket bends inward and the hooks point down.



2 Adjust the bracket to the correct position.

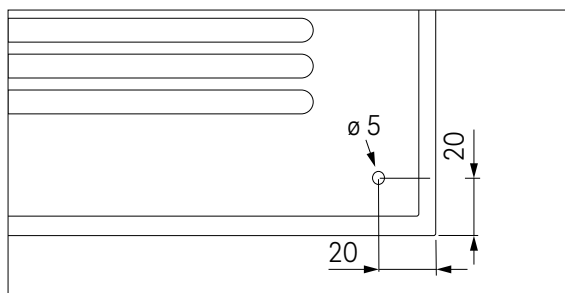


3 Fasten the bracket using the wood screw.

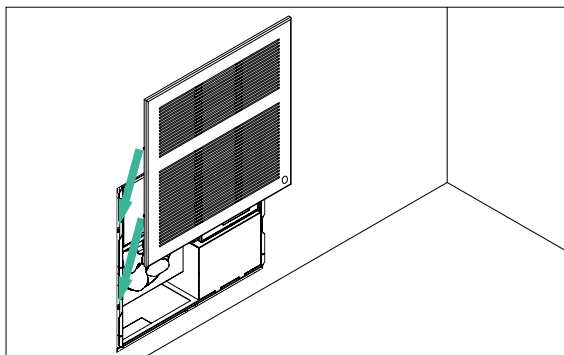


Side and rear views of the grille

To allow the grille to be fixed to the wall using a screw, a hole must be drilled in one of the lower corners of the grille using a suitable wood drill. Note the diameter and the position of the hole as shown in the following illustration.



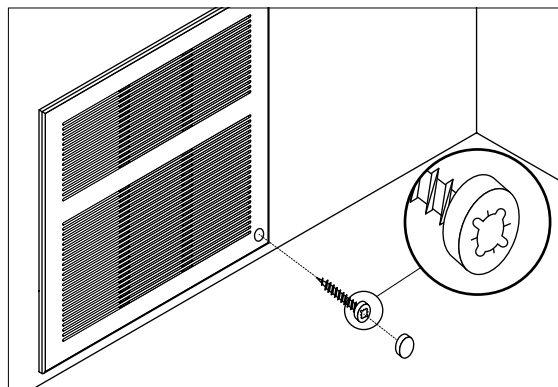
Preparing the wall



Place the grille over the metal case and mark out the drilling location on the wall.

Remove the grille again and drill a hole using a drill suitable for the wall material and the enclosed screw. Then use a suitable wall dowel.

Positioning the grille DHU W-G



Once the unit is properly connected, the grille can be fitted. Replace it and screw in place using the screw provided for this purpose. The enclosed cover cap can then be placed on the screw head.



The dehumidifier may only be used if the grille is properly secured using the enclosed screw.



Handle the grille carefully to avoid damage and chipping.



The white colored cover grille is not suitable for painting over.



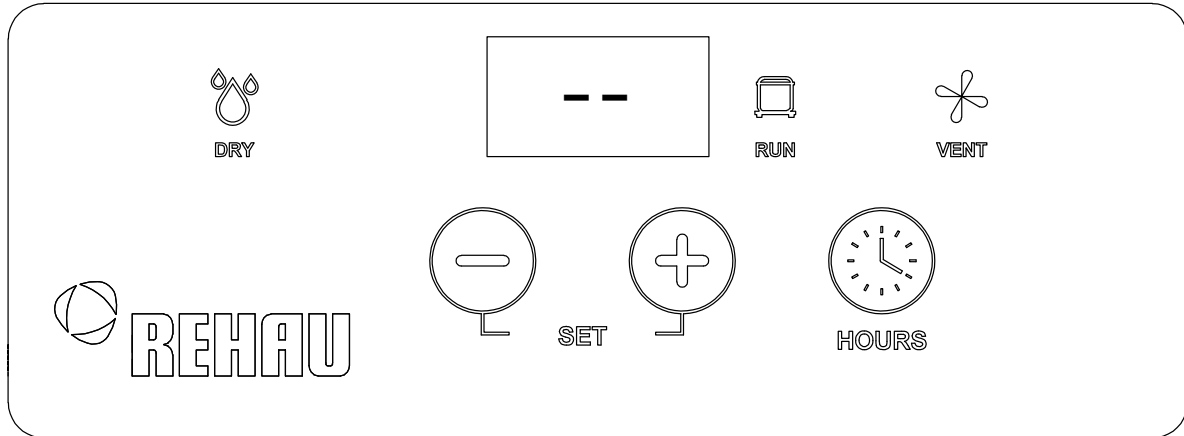
The grille can be fitted to the installed metal case regardless of whether the dehumidifier is present.



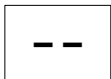
Ensure that the grille is aligned correctly. The part of the grille on the back of which the air filter is located must be positioned in the lower part of the dehumidifier in front of the fan. The grille filter must be cleaned regularly. Refer to chapter 04.03.

04 Commissioning and operation

04.01 Display and operation



Displays



Connected power supply

Two blue stripes on the display indicate when the power supply is present. If there is no request, the unit is in STAND BY mode.



Dehumidification active

This orange LED indicates that dehumidification is active. If the symbol is not illuminated, no dehumidification is being requested at that moment.



Continuous ventilation active

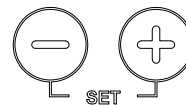
This orange LED lights up when the continuous ventilation request is activated. Otherwise there is no request.



Compressor running

If this green LED lights up continuously, the compressor is in operation. When this LED flashes, the compressor is in Pause mode. This mode is active during the switch-on phase and during the automatic defrosting phase controlled by the microprocessor.

Buttons



Set buttons

These buttons are only necessary for configuration and are not relevant for operation or proper maintenance.



HOURS

When this button is pressed, the operating hours of the compressor are displayed.

04.02 Commissioning

Before powering the dehumidifier for the first time by switching the electrical disconnect, check the following:

- Have the safety instructions and the locally applicable regulations been observed?
- Is the metal case, the dehumidifier and the grille installed properly and in strict accordance with these instructions?
- Has the grille fixed to the wall with the enclosed screw?
- Have the hydraulic and electrical connections been made according to these instructions and in compliance with local regulations?
- Have the hydraulic and electrical connections been made properly?
- Are the hydraulic connections of the water circuit and the condensation drain properly sealed?
- Is the water circuit filled and properly vented?
- Is the dehumidifier properly earthed?
- Does the supply voltage match the value specified in the technical data? The supply voltage must correspond to the specifications on the type plate with $\pm 10\%$ tolerance.
- Are all cover plates in the correct position and adequately secured with the appropriate fixing screws?
- Is the cover of the electronics box properly inserted and secured with the appropriate screws?



After the device has been properly installed, the first start-up may only be carried out after at least 2 hours.



If the water circuit is not filled, not properly vented or there is no sufficient water supply available in the set temperature range, the function of the machine may be impaired.

As soon as the unit is supplied with voltage, it is in STAND BY mode and the display shows two blue stripes.

Now the input signals of the dehumidifier can be set using the connected NEA SMART 2.0 control system.

After an input signal has been set, the fan starts right away.

The input signal dehumidification (DH) additionally activates the output signal ZONE VALVE and the compressor starts with a time delay.

For correct wiring and configuration of the NEA SMART 2.0 control system, refer to the relevant technical information.

04.03 Operation and maintenance



During operation, a sufficient water supply must be available in the set temperature range.



The grille must not be adjusted, covered or hung up during operation so that the air flow is always ensured.



Before starting maintenance work, check that the dehumidifier is disconnected from the power supply. Maintenance may only be carried out by appropriately instructed and trained persons.

Regular maintenance of the machine consists of cleaning the air filter, which is mounted in the lower area on the back of the grill. Cleaning of the filter is recommended every two months. In dusty environments or when the unit is used intensively, maintenance may also be necessary more frequently.



Access to the grille and the filter must always be possible so that maintenance work can be carried out.

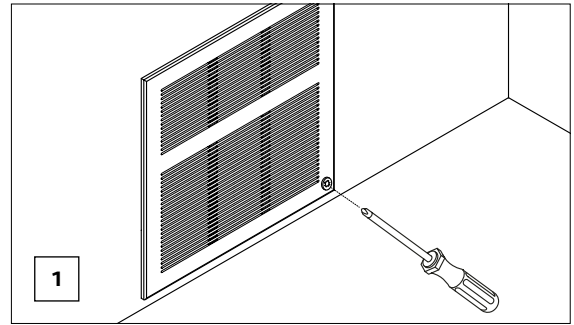


Regularly check the condition and function of the fixings of the metal case, the dehumidifier and the grille to the building structure or to supporting elements.

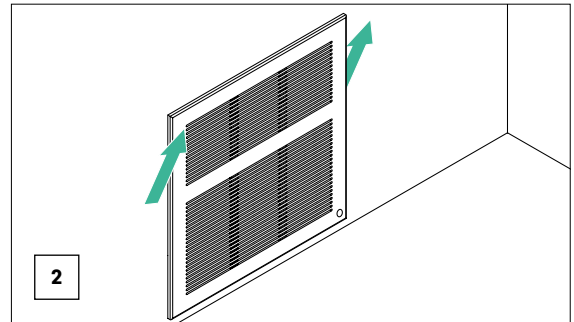


Check regularly to ensure the siphon is not blocked and that the condensation can drain off.

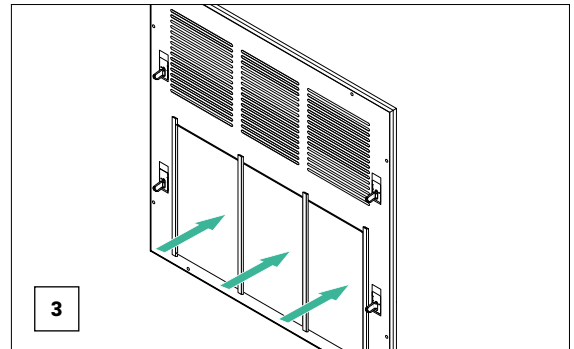
Cleaning steps



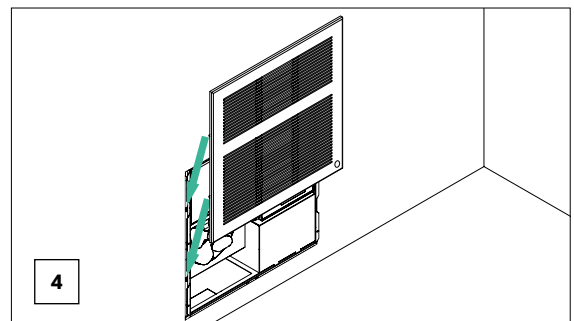
1 Carefully remove the cover cap from the grille screw and undo the screw.



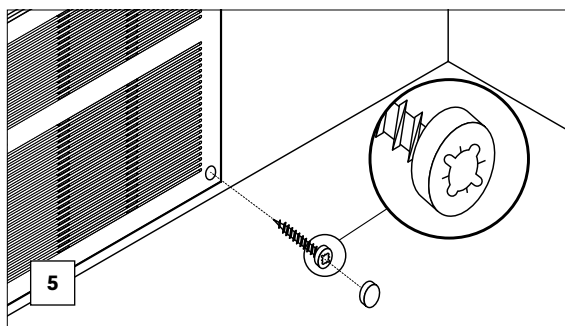
2 Lift the grille up and away from the wall at an angle.



3 Clean the air filter using air in the opposite direction to the normal air flow.



4 Once the air filter has been cleaned, the grille can be placed back on the metal case.



5 The grille must then be fastened back to the wall using the screw, and the screw cap cover can be replaced.



Do not restart the dehumidifier until the grille has been firmly and properly refitted.

04.04 Spare parts

We recommend the use of original spare parts. If required, please get in touch with your REHAU contact person.

04.05 Disassembly and disposal

The machine is designed and built for continuous operation. The service life of some important components, such as the fan and the compressor, depends on the maintenance they receive.



Before disassembly, the unit must be disconnected.



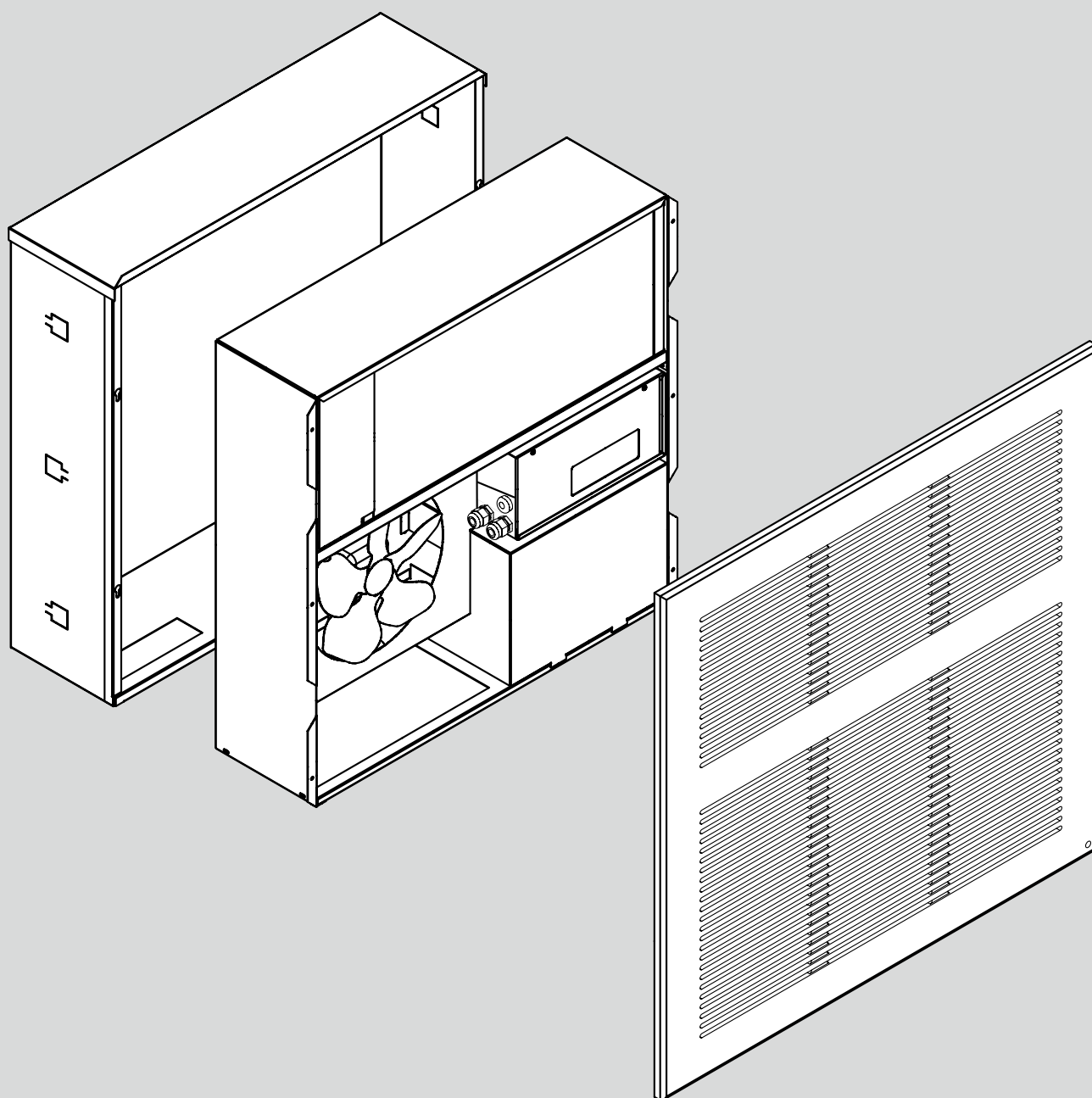
Note that water may be present in the system.



Disassembly may only be carried out by qualified personnel using suitable protective equipment. Due to the weight of the unit, a construction site lift should be used, and disassembly should be carried out by at least two people.

To prevent injury or damage during subsequent transport, the unit must be provided with suitable packaging material and adequate transport securing.

The unit contains environmentally hazardous substances and components (electronic components, refrigerant gas and oils). The appliance must be taken to specialised companies for the collection and disposal of appliances containing hazardous substances. The refrigerant R134a and lubricating oil contained in the circuit must be recovered in accordance with the regulations in force in your country.



Deshumidificador DHU W 22 L

Instrucciones de montaje, puesta en marcha y mantenimiento

Contenido

01	Informaciones e indicaciones de seguridad	23
02	Descripción del producto	25
02.01	Aspectos generales	25
02.02	Componentes	25
02.03	Datos técnicos	26
02.04	Esquema eléctrico	27
03	Instrucciones de montaje	28
03.01	Embalaje y volumen de suministro	28
03.02	Montaje del aparato	28
03.03	Conexiones en el lado del agua	30
03.04	Alimentación eléctrica y conexión del control	31
03.05	Montaje de la rejilla de cobertura	32
04	Puesta en marcha y operación	34
04.01	Display y manejo	34
04.02	Primera puesta en marcha	35
04.03	Operación y mantenimiento	36
04.04	Recambios	37
04.05	Desmontaje y eliminación	37

01 Informaciones e indicaciones de seguridad



Sobre este manual

Lea por favor detenidamente estas instrucciones completas antes de empezar a trabajar con el deshumidificador. Conserve este documento durante la vida útil completa del aparato y entrégueselo a un eventual usuario posterior. Para revisar y descargar la versión más actual de este y de otros manuales de instrucciones vaya a www.rehau.com/TL.



Peligro de muerte debido a tensión eléctrica



Indicaciones de seguridad



Nota legal



Información importante



Información adicional, p. ej. en Internet



Seguridad

Para prevenir accidentes con resultado de daños personales y materiales hay que observar todas las indicaciones de seguridad del presente manual.



Este documento ha sido creado para personal técnico autorizado y cualificado.

El producto ha de ser instalado y operado en estricto cumplimiento de las informaciones y especificaciones relevantes del presente documento. El fabricante no asume ninguna responsabilidad sobre las modificaciones que pueda realizar el usuario en el producto. El incumplimiento de las normas y especificaciones contenidas en las presentes instrucciones se traduce en una extinción inmediata de la garantía. Le recomendamos, en su propio interés, que acuda sin demora al fabricante en caso de un funcionamiento incorrecto o de dudas.



Ojo ¡Peligro de muerte!

- La instalación eléctrica ha de ser realizada siempre por un electricista profesional. La instalación eléctrica se ha de realizar con arreglo a las disposiciones nacionales vigentes, así como en conformidad con las normas de las compañías suministradoras eléctricas locales.
- Las intervenciones o manipulaciones del aparato con herramientas han de confiarse siempre a personal de mantenimiento cualificado.
- El aparato ha de ser instalado siempre por personal cualificado y en cumplimiento de las normas de seguridad vigentes.
- No está permitido el uso de este producto por personas (incluidos niños) con capacidades físicas, sensorias o mentales limitadas o que no dispongan de la experiencia o los conocimientos necesarios.
- Asegúrese de que no jueguen niños con este producto.
- Este aparato ha sido diseñado y fabricado en conformidad con las normas de seguridad más estrictas. Aun así no se deberán introducir objetos puntiagudos (destornilladores, clavos y similares) en las rejillas o en otras aberturas del aparato.
- Conectar el deshumidificador a una instalación eléctrica suficientemente protegida con un interruptor diferencial. Para que el usuario pueda manipular el aparato en condiciones de seguridad tiene que haber instalado un mecanismo eléctrico de seccionamiento cerca del aparato. Utilizar siempre este mecanismo para descartar riesgos durante el mantenimiento (descarga eléctrica, quemaduras, reencendido automático, partes móviles y comandamiento a distancia).
- El aparato ha de estar conectado al conductor de tierra de la instalación eléctrica. El incumplimiento de esta norma es - como ocurre con todos los aparatos eléctricos - una causa de riesgos sobre los que el fabricante no asume ninguna responsabilidad.
- Instalar este aparato en cumplimiento de las normas de instalación de la compañía eléctrica suministradora.
- Todos los trabajos de mantenimiento y limpieza se han de realizar con el aparato desenergizado. No retire ni abra nunca un componente del aparato sin haberlo desconectado previamente de la red.



Situación de montaje

- Instalar el aparato en un lugar limpio y seco, que esté protegido contra las salpicaduras y las gotas de agua.
- Este aparato está previsto para su uso en recintos interiores de edificios.
- Procurar no tapar ni cerrar las rejillas de cobertura: en caso contrario el aparato puede resultar dañado y pueden generarse riesgos.



Limpieza

Limpie periódicamente el filtro: la limpieza debe realizarse, como mínimo, cada 2 meses. Realizar la limpieza más frecuentemente si se va a utilizar el aparato en entornos sujetos a mucha formación de polvo. Vea informaciones sobre las operativas de mantenimiento y limpieza más adelante en estas instrucciones.

Cuando el filtro está sucio el aire sale más caliente de lo normal, con lo cual el aparato puede resultar dañado y se reduce la producción de condensado.



Equipo de protección personal

Utilice el siguiente equipo de protección individual para operar el aparato y realizar su mantenimiento:



Las personas que realizan trabajos de mantenimiento o trabajan con el aparato han de llevar calzado de seguridad antiestático provisto de suelas antideslizantes.



Guantes: Para los trabajos de limpieza y mantenimiento es necesario utilizar guantes adecuados.



Para los trabajos de limpieza y de mantenimiento hay que llevar unas gafas de protección.

Símbolos de seguridad

Durante el diseño y la fabricación de este aparato se han realizado todos los esfuerzos para descartar riesgos.

El sistema tiene aplicados los símbolos de seguridad siguientes, que es imprescindible tener en cuenta:



Riesgo de tipo general



Riesgo de descarga eléctrica

Aspectos generales

Las presentes instrucciones y los documentos adjuntos tienen la finalidad de capacitar al instalador para realizar correctamente la instalación y la puesta en marcha, sin poner en peligro a ninguna persona ni ocasionar daños al aparato. Además capacitan a los usuarios posteriores para limpiar de forma segura y correcta el filtro.

Recomendamos tener en cuenta lo siguiente en todas las actividades relacionadas con el manejo y el mantenimiento del aparato:

- Los trabajos se deben confiar exclusivamente a personas suficientemente cualificadas, que aplicarán métodos de trabajo seguros y deberán utilizar el equipo de protección individual adecuado para cada tarea.
- Los trabajos se deben confiar exclusivamente a personas que hayan recibido las instrucciones y la formación necesaria y que hayan leído y entendido las presentes instrucciones, la información técnica y las indicaciones de seguridad.
- Impedir el acceso al aparato a aquellas personas que carezcan de la formación y la capacitación necesaria.

Conformidad CE

El aparato descrito en las presentes instrucciones cumple en combinación con los productos Cajón para montaje empotrado DHY y Rejilla de cobertura DHU G-W los requisitos fundamentales de las directivas europeas siguientes, siempre que se monte en cumplimiento estricto de las presentes instrucciones:

- Seguridad eléctrica para aplicaciones de baja tensión 2014/35/EU,
- Compatibilidad electromagnética 2014/30/UE,
- Equipos a presión 2014/68/UE,
- Directiva RoHS 2011/65/UE.

Se han aplicado las normas armonizadas siguientes

- EN 60335-2-40: 2014-01
- EN 60335-1: 2020-08
- EN 55014-1/A11: 2021-03
- EN 55014-2: 2017-03
- EN 378-2: 2018-04
- EN IEC 63000: 2019-05

02 Descripción del producto

02.01 Aspectos generales

En regiones con altas temperaturas y humedades ambiente existe el riesgo de formación de agua de condensación sobre las superficies refrigerantes del sistema de refrescamiento por superficies radiantes. Aparte de esto, una humedad ambiente excesiva puede tener efectos negativos sobre el confort térmico. Por estas razones se recomienda reducir la humedad ambiente en los recintos.

La rejilla de cobertura para deshumidificador DHU W 22 L ha sido desarrollada específicamente para utilizarla en combinación con sistemas de refrescamiento por superficies radiantes de REHAU. El control externo del aparato se puede realizar con el sistema de regulación NEA SMART 2.0.

02.02 Componentes

El modo operativo del aparato es la deshumidificación del aire ambiental. Se extrae humedad del aire manteniendo constante la temperatura en la salida con respecto a la del aire aspirado.

El deshumidificador consta de un filtro de aire, un circuito de refrigerante, un circuito de agua, que se puede conectar al circuito de refrigeración del sistema de refrescamiento por superficies radiantes, un ventilador y una unidad electrónica.

El filtro de aire se encarga de reducir la entrada de suciedad y polvo en la máquina. Es necesario limpiarlo periódicamente. Tenga en cuenta a este respecto el apdo. 04.03.

El circuito de agua, que se puede conectar al circuito hidráulico del sistema de refrescamiento por superficies radiantes, dispone de dos intercambiadores de calor de láminas barridos por aire, denominados refrigerador preconectado y refrigerador postconectado.

El circuito del refrigerante consiste en los componentes siguientes:

Un intercambiador de calor de láminas barrido por aire en el que se deshumidifica el aire es el evaporador del circuito de refrigerante. La energía requerida para ello se extrae del medio ambiente. Esta parte es la conocida como sección fría.

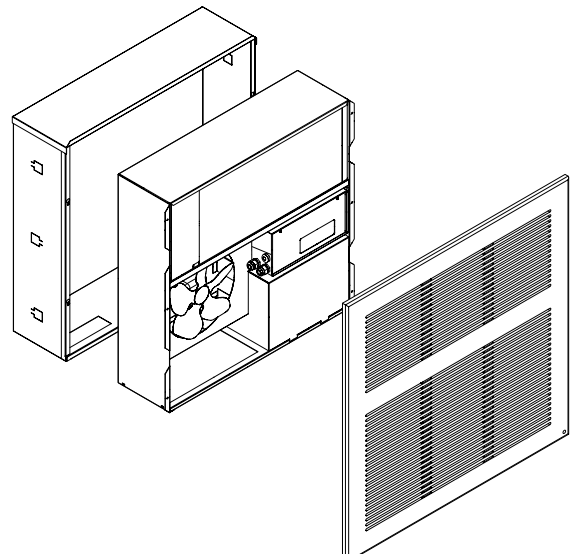
El compresor del circuito es un compresor alternativo, que presuriza el refrigerante.

Un segundo intercambiador de calor de láminas barrido por aire corresponde al condensador del circuito de refrigerante. En el transcurso de esta operación se libera calor. Esta parte es la conocida como sección caliente.

La reducción de la presión en el circuito del refrigerante se consigue mediante un capilar.

Una unidad electrónica, que incluye un microprocesador y un display, se encarga de la monitorización y el control de la máquina.

El microprocesador controla las fases de desescarche y las operaciones de encendido y apagado del compresor y el ventilador.

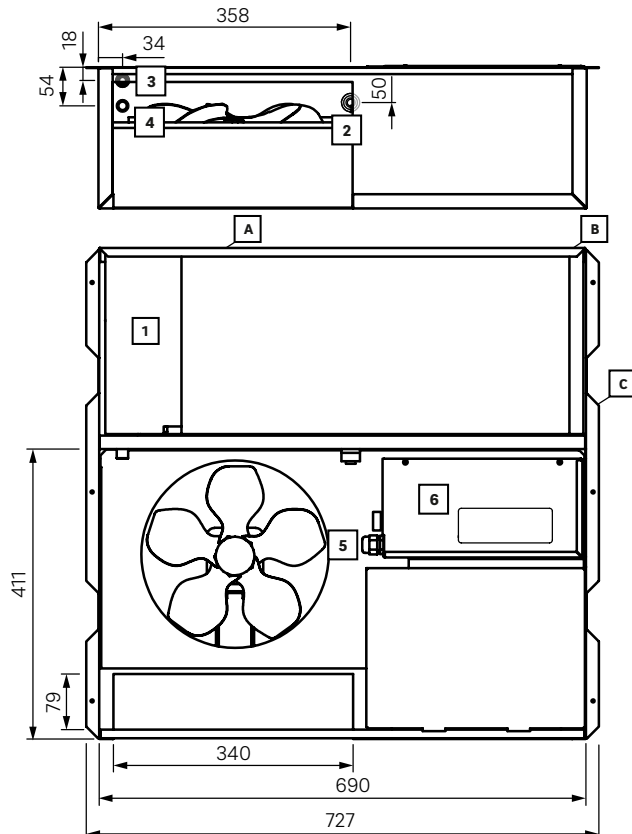


02.03 Datos técnicos

Tensión de alimentación	230 V c.a., 50 Hz
Potencia eléctrica ¹⁾	410 W
Corriente de consumo máxima	3,5 A
Corriente de encendido (LRA)	20,0 A
Caudal de aire (filtro limpio)	190 m ³ /h
Refrigerante R134a	400 g
Rango operativo de temperaturas	10 – 32 °C
Rango operativo de humedad relativa	45 – 98 %
Rendimiento de deshumidificación ^{1), 2)}	22 l/d
Potencia en el lado del agua ¹⁾	1130 W
Caudal de agua	180 l/h
Pérdida de carga en el circuito de agua para 180 l/h	14 kPa
Dimensiones (largo x alto x ancho)	727 mm x 695 mm x 200 mm
Peso con el circuito de agua lleno	35,1 kg

¹⁾ Aire: 25 °C, 65 % HR / Agua: 16 °C, 180 l/h

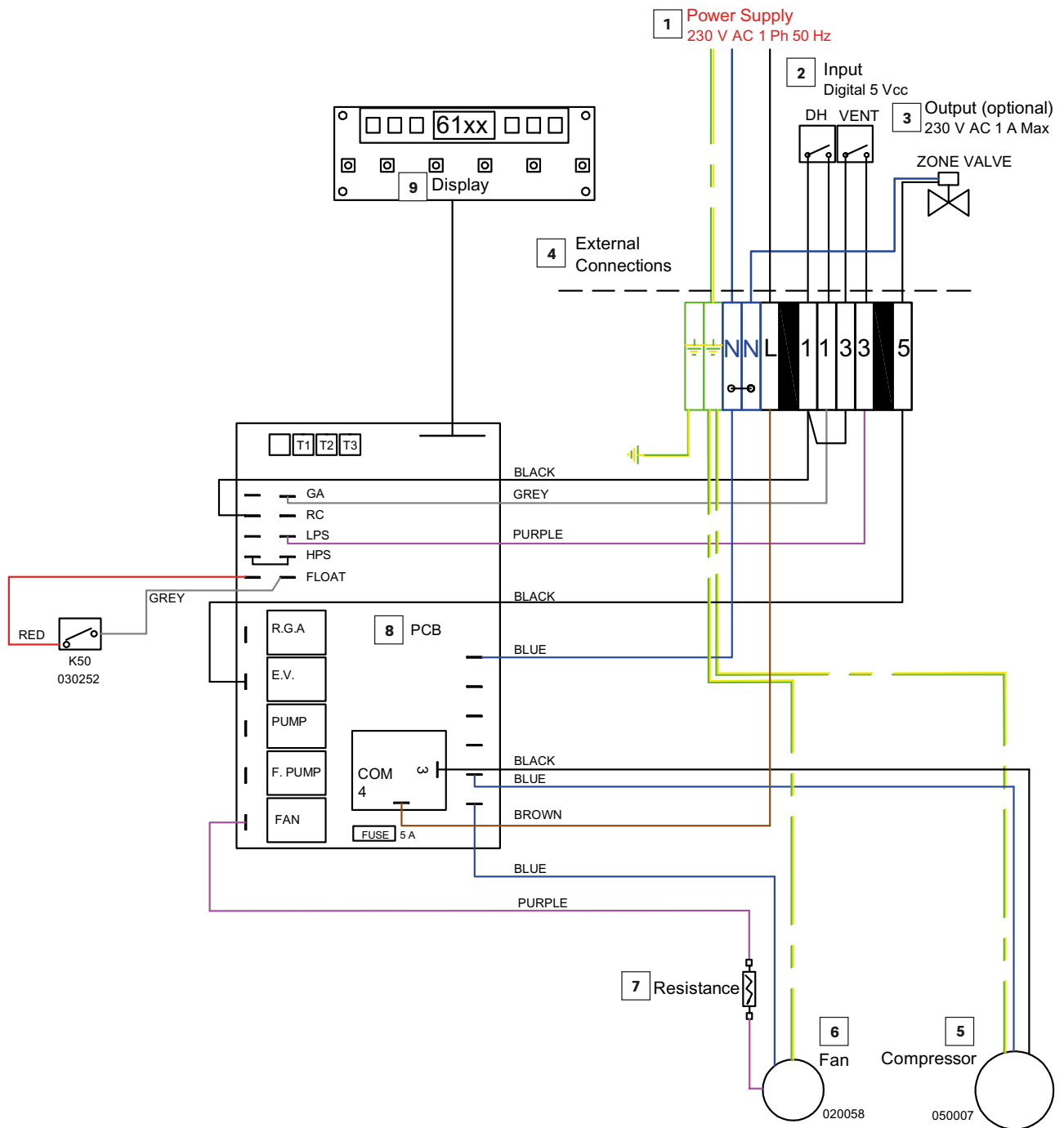
²⁾ Rendimiento de deshumidificación medido según la EN 810 y la EN 1397



- [1] Cubierta con válvula de purga de aire situada detrás
- [2] Desagüe de condensados 3/4" macho
- [3] Retorno agua 3/8" macho
- [4] Impulsión agua 3/8" macho
- [5] Pasacables
- [6] Caja electrónica con display

[A], [B], [C] Antes de proceder a la instalación desmontar los tornillos de fijación para el transporte.

02.04 Esquema eléctrico



- 1 Alimentación eléctrica
- 2 Señales de entrada (digitales 5 Vcc)
 - DH Higrostató – inicia la deshumidificación
 - VENT inicia la ventilación
- 3 Señal de salida (opcional, 230 V c.a. 1 A máx.)
ZONE VALVE Actuador del circuito de agua
- 4 Conexiones a realizar por el instalador

- 5 Compresor
- 6 Ventilador
- 7 Resistencia eléctrica
- 8 Placa de circuito impreso
- 9 Display

03 Instrucciones de montaje



El montaje se ha de confiar a personal técnico cualificado.

03.01 Embalaje y volumen de suministro

Retire el embalaje con cuidado y procurando no dañar el aparato.



Lea detenidamente las instrucciones de montaje completas antes de comenzar a trabajar con el aparato. Conserve las instrucciones de montaje durante la vida útil completa del aparato y entrégueselas a un eventual siguiente usuario.

Mantenga el material de embalaje fuera del alcance de niños y animales, porque representa un riesgo para ellos.



Entregue los productos de embalaje (madera, plástico, cartón o poliestireno o Porexpan) a un punto verde o un centro de reciclaje con arreglo a la normativa local.



Todos los componentes del aparato son montados e inspeccionados en fábrica. Cuando reciba el aparato revíselo inmediatamente para detectar eventuales daños ocasionados durante el transporte o falta de piezas.

Para el montaje y la utilización de este deshumidificador son necesarios otros dos productos.

- el cajón para montaje empotrado DHU de REHAU, que se monta en la pared
- la rejilla de cobertura DHU G-W de REHAU, con filtro integrado en la admisión de aire



La conformidad CE solo es válida si se utiliza el deshumidificador en combinación con los productos Cajón para montaje empotrado DHU y Rejilla de cobertura DHU G-W y se realiza el montaje en estricta conformidad con las presentes instrucciones.

03.02 Montaje del aparato

Este producto se instala en la pared. Para ello se monta primero el cajón para montaje empotrado en un hueco realizado al efecto en la pared.



Planificar de antemano la disponibilidad de las líneas de conexión hidráulicas y eléctricas necesarias y la posición correcta de éstas.

A continuación se monta y conecta el deshumidificador en este cajón para montaje empotrado. El aparato se cubre con la rejilla, que se fija a la pared con un tornillo.



A tener en cuenta durante el montaje:

- Montar el aparato en un lugar limpio y seco, que esté protegido contra las salpicaduras y las gotas de agua.
- Este aparato está previsto para su uso en recintos interiores de edificios.



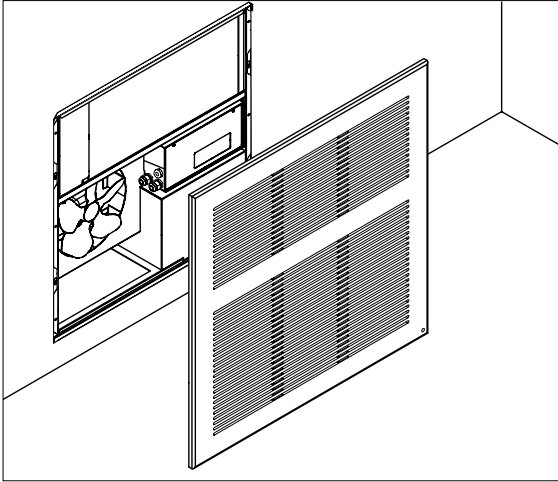
Procure que el cajón de empotrar y el deshumidificador queden montados de forma correcta y firme.

Tener en cuenta aquí lo siguiente:

- el peso del deshumidificador
- el material, el estado y el grosor de la pared
- las vibraciones que posiblemente genere el deshumidificador



- Tener en cuenta el peso, así como también las aristas vivas de las esquinas y los cantos del aparato (se recomienda llevar una indumentaria de protección adecuada).
- Debido al peso, el montaje debe ser realizado, como mínimo, por dos personas.



Realización del hueco en la pared

El hueco ha de tener unas dimensiones suficientes para alojar el cajón para montaje empotrado. Ejecutarlo de forma que los cantos exteriores del cajón para montaje empotrado queden enrasados con la pared. Ver a este respecto la ilustración siguiente.



Al ejecutar el hueco tener en cuenta la posición requerida de las conexiones eléctricas e hidráulicas en la pared, dentro del área marcada.



Tener en cuenta la altura de montaje del cajón para montaje empotrado. Para que sea posible el montaje de la rejilla de cobertura, respetar una distancia mínima de 7 cm con respecto al canto superior del pavimento.

Instalación del cajón para montaje empotrado DHU

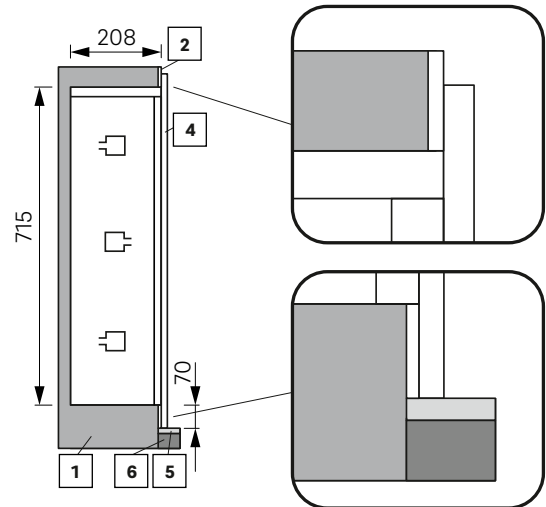
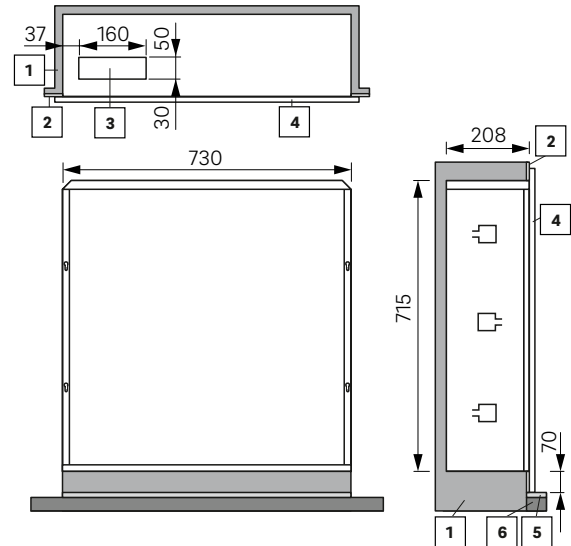
La instalación del cajón para montaje empotrado depende del tipo de pared existente.

Cuando se trata de una pared maciza se puede embutir el cajón en ella. La rejilla cincada de la cara posterior y las garras en los laterales del cajón para montaje empotrado facilitan una buena fijación del mortero. En el caso de una pared de construcción seca se deberá procurar disponer de una estructura de soporte de dimensiones suficientes, apta para soportar el peso total y las vibraciones durante el funcionamiento de este deshumidificador. El cajón para montaje empotrado ha de quedar fijado.

Situar el cajón para montaje empotrado de forma que su canto inferior quede separado, como mínimo, 7 cm con respecto al pavimento del suelo. Si se desea que la rejilla de cobertura quede situada por encima de un zócalo se deberá ampliar esta separación mínima de 7 cm en el equivalente a la altura del zócalo.



No retirar el refuerzo transversal hasta que el mortero esté seco y el cajón para montaje empotrado esté fijado.



- 1 Pared
- 2 Enlucido
- 3 Abertura en la cara inferior para el paso de las líneas hidráulicas y eléctricas
- 4 Rejilla de cobertura
- 5 Pavimento
- 6 Recrecido

Colocación del deshumidificador

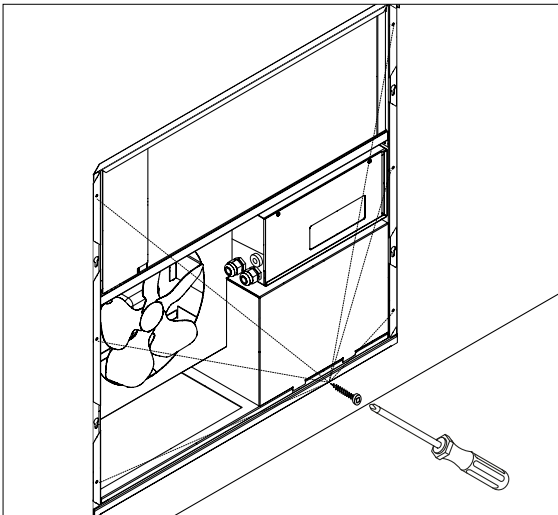


Desmonte los tornillos de fijación para el transporte identificados como A, B y C, ubicados en las caras superior y derecha del aparato.



Tenga en cuenta que el aparato no se podrá colocar en el cajón para montaje empotrado hasta que el mortero esté completamente seco y el cajón esté fijado a la pared.

Antes de poder colocar el deshumidificador en el cajón para montaje empotrado hay que retirar el refuerzo transversal. Una vez colocado correctamente el aparato en el cajón para montaje empotrado se fija con los tornillos previstos al efecto en el cajón.



03.03 Conexiones en el lado del agua

	Dimensión tubo	Conexión
Circuito de refrigeración (impulsión/retorno)	$d_{in} \geq 16 \text{ mm}$	3/8" macho
Condensados	$d_{in} \geq 16 \text{ mm}$	3/4" macho

Circuito de agua



Se recomienda prever un filtro de agua en la entrada del deshumidificador para proteger los circuitos de agua del aparato.

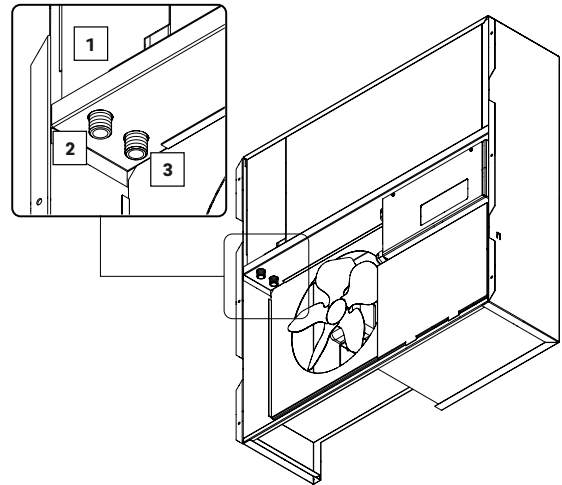
Puede utilizar para las conexiones hidráulicas con el deshumidificador (impulsión y retorno) el tubo RAUTHERM-S o RAUTITAN de REHAU y observe la normativa local vigente.

Para una conexión correcta al distribuidor del sistema de refrescamiento por superficies radiantes y para ajustar un caudal correcto siga por favor las instrucciones de montaje correspondientes y la normativa local. El caudal nominal del circuito de agua de este deshumidificador es de 180 l/h.

Utilice componentes de unión y material sellante adecuado, para que no pueda producirse una fuga incontrolada de agua.

Realice una purga de aire escrupulosa del circuito de agua con ayuda de la válvula correspondiente del aparato. Esta válvula está situada debajo de la tapa marcada al efecto, que se puede desmontar retirando los dos tornillos.

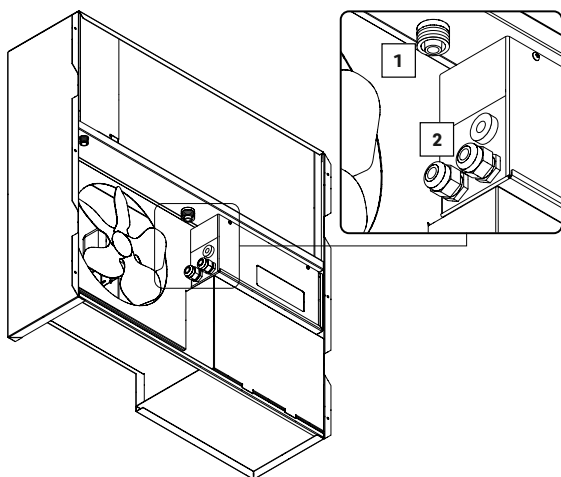
Aislar los componentes metálicos, para prevenir la formación de condensación sobre ellos.



- 1] Cubierta con válvula de purga de aire situada detrás
- 2] Retorno agua 3/8" macho
- 3] Impulsión agua 3/8" macho

Desagüe de condensados

Para evitar la formación de malos olores a causa del agua condensada del deshumidificador es importante conectar el desagüe de condensados a un sifón. Monte el sifón en un punto accesible, para facilitar la limpieza.



- 1 Desagüe de condensados 3/4" macho
2 Pasacables

03.04 Alimentación eléctrica y conexión del control

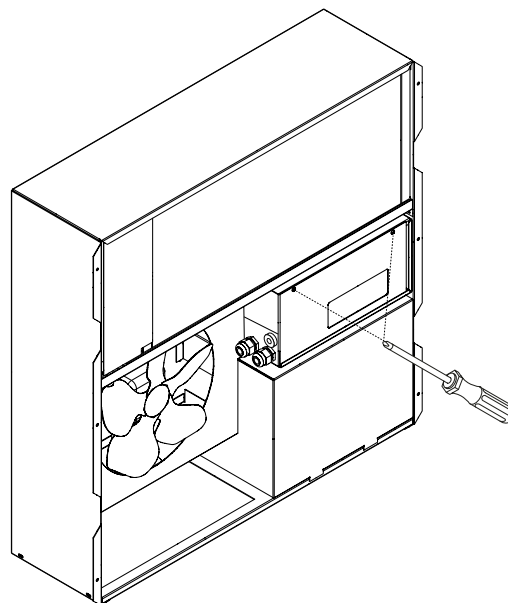
	Dimensión	Conexión
Acometida eléctrica	mínimo 1,5 mm ² , instalación fija	Borne



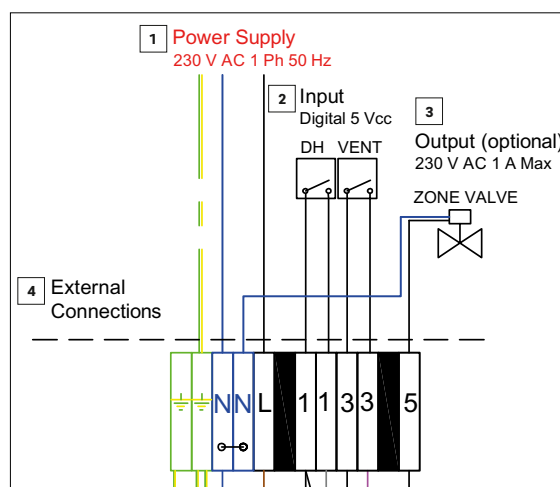
Ojo ¡Peligro de muerte!

- La instalación eléctrica ha de ser realizada siempre por un electricista profesional. La instalación eléctrica se ha de realizar con arreglo a las disposiciones nacionales vigentes, así como en conformidad con las normas de las compañías suministradoras eléctricas locales.
- Antes de cualquier trabajo en los componentes eléctricos asegúrese de que se ha cortado la alimentación eléctrica.
- Proteger la línea principal de red con un interruptor diferencial.
- Para poder cortar el suministro eléctrico antes de los trabajos de mantenimiento y limpieza tiene que haber instalado un mecanismo eléctrico de seccionamiento cerca del aparato.
- Asegurarse de que se cumplen en su totalidad las normas relativas a equipos eléctricos y material eléctrico.
- Compruebe que la tensión de red coincide con los valores nominales del aparato (tensión, frecuencia) impresos sobre la placa de características del aparato.
- Es obligatorio conectar el aparato a tierra. Esta conexión es la primera que se debe realizar durante la instalación.

Suelte los dos tornillos de la caja electrónica y retire con cuidado la tapa con el display.



Conecte la línea de red (230 V, c.a., monofásica, 50 Hz) en los bornes fase L, neutro N y conductor de protección PE del aparato, como se muestra en la figura.



- 1 Alimentación eléctrica
2 Señales de entrada (digitales 5 Vcc)
▪ DH Higróstico – inicia la deshumidificación
▪ VENT inicia la ventilación
3 Señal de salida (opcional, 230 V c.a. 1 A máx.)
ZONE VALVE Actuador del circuito de agua
4 Conexiones a realizar por el instalador

Para las entradas de control del aparato hay previstos unos contactos sin potencial. Conecte los conductores en los bornes respectivos, como se muestra en la figura. Hay dos señales de entrada distintas:

- DH: Señal de solicitud de deshumidificación
- VENT: Señal de solicitud de marcha continua del ventilador

Para comandar el deshumidificador se puede utilizar el sistema de regulación NEA SMART 2.0 de REHAU. Para un conexionado y una utilización correctas seguir la información técnica correspondiente y tener en cuenta la normativa local vigente.

En caso necesario se puede conectar en los bornes de la señal de salida ZONE VALVE el actuador térmico UNI 230 V de REHAU asignado al circuito de agua del deshumidificador. Si utiliza un actuador que no es de REHAU, procure que los valores nominales de dicho actuador coincidan con la señal de salida 230 V c.a. 1 A máx. del deshumidificador.



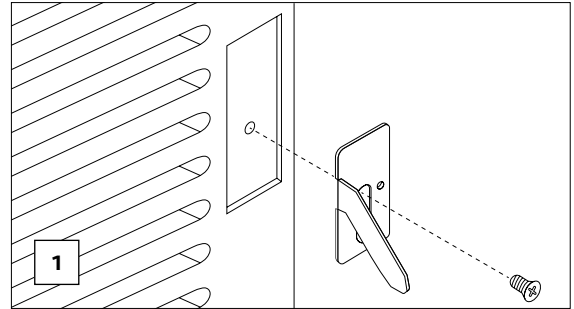
Utilice cables independientes para la alimentación eléctrica, las señales de entrada y la señal de salida, así como los prensaestopas que lleva montados de fábrica a tal efecto el aparato. En caso de precisar para ello tres prensaestopas, deberá montar un prensaestopas adicional (no incluido) en lugar del pasacables. Los prensaestopas que vienen montados de fábrica son adecuados para cables con un diámetro exterior de 6 – 12 mm.

Antes de utilizar el aparato hay que volver a colocar correctamente la tapa de la caja electrónica.

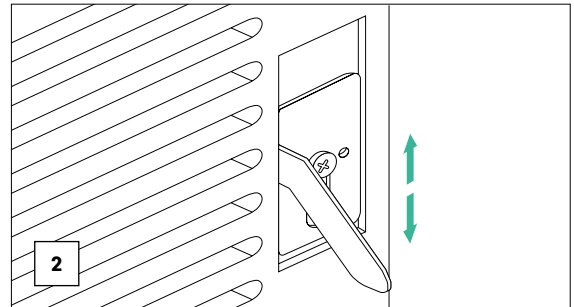
03.05 Montaje de la rejilla de cobertura

Preparación de la rejilla de cobertura

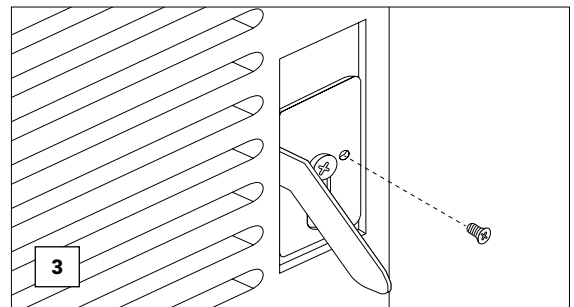
Para fijar los cuatro soportes en la cara trasera de la rejilla de cobertura hay que realizar los pasos siguientes con cada soporte:



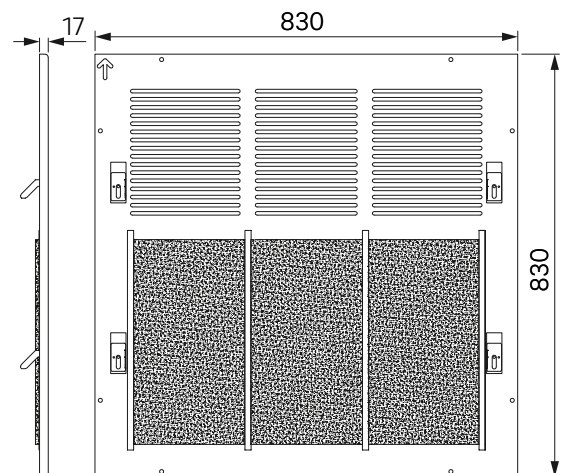
1 Posicione el soporte en la abertura prevista al efecto en la cara trasera de la rejilla de cobertura y fíjelo con un tornillo. Procure que la curva del soporte mire hacia dentro y el gancho mire hacia abajo.



2 Ajuste la posición correcta del soporte.

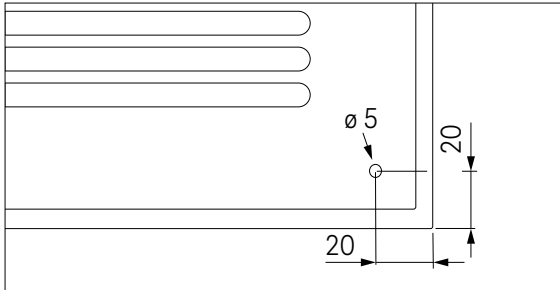


3 Fije el soporte con el tirafondos.

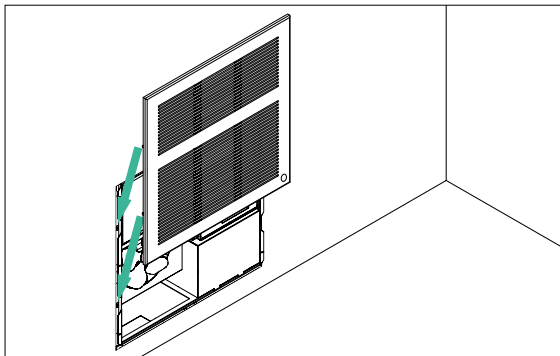


Vista lateral y vista trasera de la rejilla de cobertura

Para poder fijar la rejilla de cobertura con un tornillo a la pared hay que realizar un taladro en una esquina inferior de la rejilla con una broca para madera adecuada. Tener en cuenta aquí el diámetro y la posición del taladro, tal como se muestra en la figura siguiente.



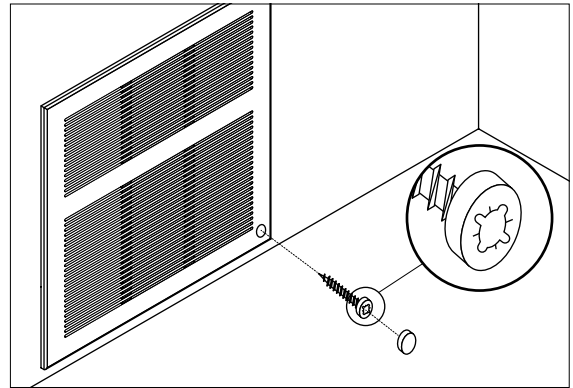
Preparación de la pared



Apoye la rejilla de cobertura contra el cajón para montaje empotrado y marque la posición del taladro en la pared.

Retire la rejilla de cobertura y realice el taladro con una broca adecuada para la pared en cuestión y para el tornillo incluido. A continuación coloque un taco adecuado para la pared.

Colocación de la rejilla de cobertura DHU W-G



Una vez conectado correctamente el aparato se puede proceder al montaje de la rejilla de cobertura. Para ello vuelva a apoyar la rejilla y fíjela con el tornillo previsto para tal fin. A continuación se puede cubrir el tornillo con el capuchón incluido.



Este deshumidificador solo se puede utilizar si se ha fijado correctamente la rejilla de cobertura con el tornillo incluido.



Manipule la rejilla de cobertura con cuidado, para prevenir daños y astillamientos.



La rejilla de cobertura de color blanco no es pintable.



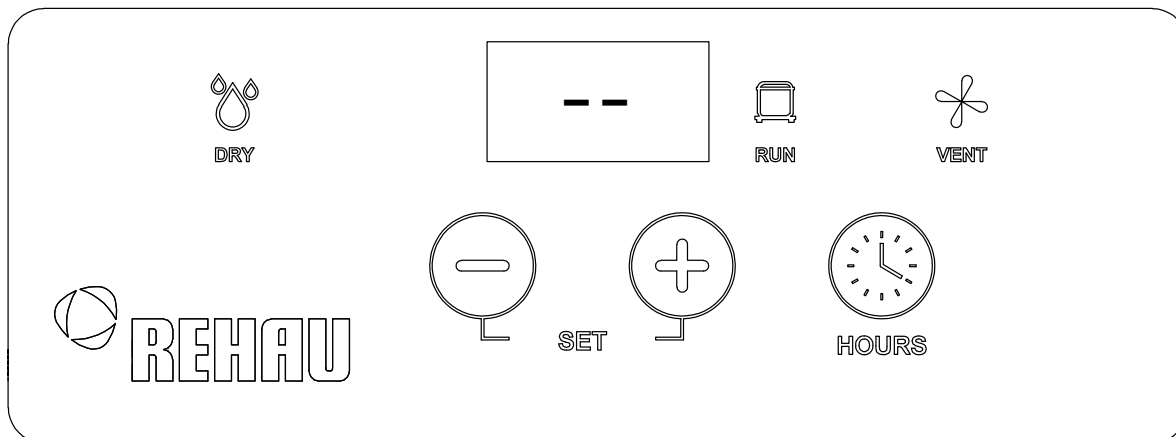
La rejilla de cobertura se puede montar sobre el cajón para montaje empotrado independientemente de si hay montado un deshumidificador o no.



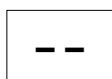
Tenga por favor en cuenta la orientación correcta de la rejilla de cobertura. La parte de la rejilla de cobertura con cuyo dorso está en contacto el filtro de aire debe quedar colocada en la parte inferior del deshumidificador, es decir, delante del ventilador. Limpiar periódicamente el filtro de la rejilla de cobertura. Tenga en cuenta a este respecto el apdo. 04.03.

04 Puesta en marcha y operación

04.01 Display y manejo



Iconos mostrados



Alimentación eléctrica conectada

Cuando el aparato recibe corriente aparecen mostradas dos rayas azules en el display. El aparato permanece en el modo STAND BY hasta que recibe una solicitud.



DRY

Deshumidificación activada

Este LED de color naranja señala que la deshumidificación está activada. Cuando el icono no brilla es porque en ese momento no se está solicitando ninguna deshumidificación.



VENT

Ventilación continua activada

Este LED de color naranja se ilumina cuando está activada la solicitud de ventilación continua. En caso contrario no se está produciendo ninguna solicitud.

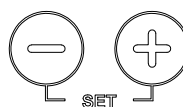


RUN

Compresor en marcha

El brillo continuo de este LED indica que el compresor está en marcha. Cuando este LED parpadea el compresor se encuentra en el modo de pausa. Este modo se activa durante la fase de encendido y durante la fase de desescarcho automático controlada por el microprocesador.

Teclas



SET

Teclas Set

Estas teclas solo son necesarias para la configuración y no para la operación, ni para el mantenimiento de rutina.



HOURS

HOURS

Pulsando esta tecla aparecen mostradas las horas de funcionamiento del compresor.

04.02 Primera puesta en marcha

Antes de suministrar por primera vez corriente eléctrica al deshumidificador actuando sobre el mecanismo de seccionamiento compruebe lo siguiente:

- ¿Se han observado las indicaciones de seguridad y la normativa local vigente?
- ¿Están montados el cajón para montaje empotrado, el deshumidificador y la rejilla de cobertura correctamente y en estricto cumplimiento de las presentes instrucciones?
- ¿Se ha fijado la rejilla de cobertura a la pared con el tornillo incluido?
- ¿Se han realizado las conexiones hidráulicas y eléctricas con arreglo a las instrucciones de este manual y cumpliendo la normativa local vigente?
- ¿Se han realizado correctamente las conexiones hidráulicas y eléctricas?
- ¿Están estanqueizadas de forma profesional las conexiones hidráulicas del circuito de agua y del desagüe de condensados?
- ¿Se ha llenado el circuito de agua y se ha purgado correctamente el aire de éste?
- ¿Está puesto a tierra correctamente el deshumidificador?
- ¿Coincide la tensión de red con el valor indicado bajo los datos técnicos?
La tensión de red ha de coincidir con los valores de la placa de características $\pm 10\%$ de tolerancia.
- ¿Están todas las placas de cobertura en la posición correcta y fijadas con una seguridad suficiente con ayuda de los tornillos correspondientes?
- ¿Está la tapa de la caja electrónica colocada correctamente y fijada con los tornillos correspondientes?



Una vez montado correctamente el aparato hay que esperar, como mínimo, 2 horas hasta poder realizar la primera puesta en marcha.



El funcionamiento del aparato puede verse afectado si el circuito de agua no está lleno, no está correctamente purgado o no se dispone de un suministro de agua suficiente dentro del rango de temperaturas de diseño.

El aparato pasa al modo STAND BY y aparecen mostradas en el display las dos rayas azules tan pronto se le aplica tensión al aparato.

Ahora se pueden activar las señales de entrada del deshumidificador con ayuda del sistema de regulación NEA SMART 2.0 conectado.

El ventilador se pone en marcha directamente cuando se activa una señal de entrada.

En el caso de la señal de entrada Deshumidificación (DH) se activa adicionalmente la señal de salida ZONE VALVE y el compresor arranca con un retardo temporal.

Para un cableado y una configuración correcta del sistema de regulación NEA SMART 2.0 hay que seguir las indicaciones de la información técnica correspondiente.

04.03 Operación y mantenimiento



Durante el funcionamiento de la máquina debe haber disponible un suministro de agua suficiente dentro del intervalo de temperaturas de diseño.



No tapar, cubrir ni modificar la posición de la rejilla de cobertura mientras el aparato está en marcha, de modo que quede garantizado en todo momento el flujo de aire.



Antes de comenzar los trabajos de mantenimiento comprobar que el deshumidificador está desconectado de la red. Confiar el mantenimiento siempre a personas que hayan recibido las instrucciones y la formación necesaria.

El mantenimiento a realizar periódicamente del aparato consiste en la limpieza del filtro de aire, montado en la parte inferior de la cara trasera de la rejilla de cobertura.

En condiciones normales esta limpieza se deberá realizar cada 2 meses. Si se va a utilizar el aparato de forma intensiva o en entornos sujetos a mucha formación de polvo puede resultar necesario incrementar la frecuencia de los mantenimientos.



Debe ser posible acceder en todo momento a la rejilla de cobertura y al filtro para poder realizar los trabajos de mantenimiento.

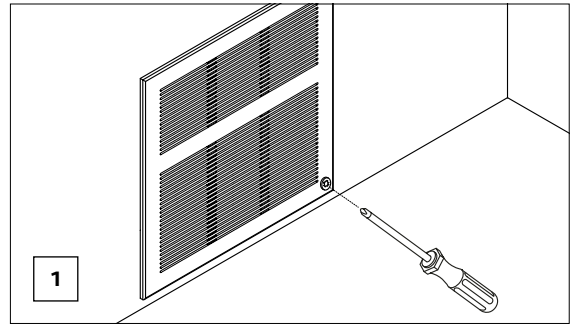


Revise periódicamente el estado y el funcionamiento de las fijaciones del cajón para montaje empotrado, el deshumidificador y la rejilla de cobertura a la estructura del edificio o a los elementos de sujeción.

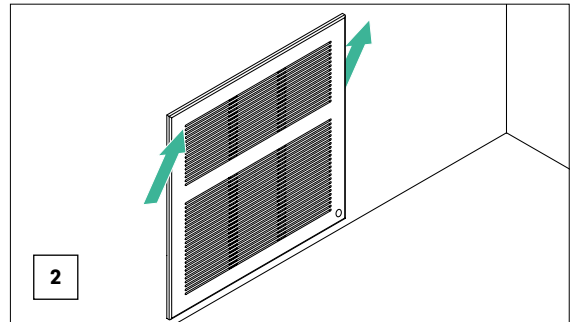


Compruebe periódicamente que el sifón no está obstruido y que el condensado es evacuado correctamente.

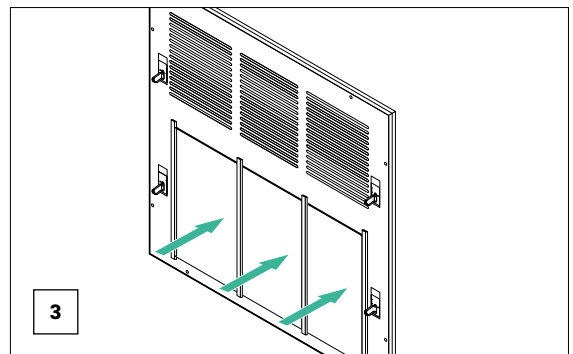
Pasos de la limpieza



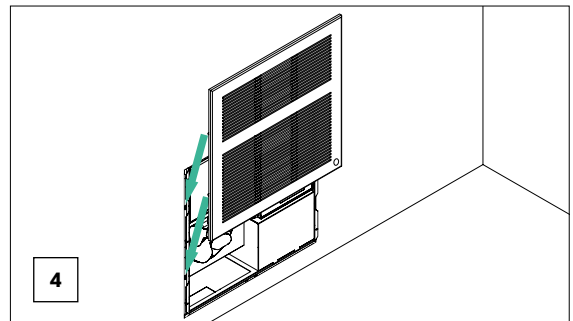
1 Retire con cuidado el capuchón del tornillo de la rejilla de cobertura y suelte el tornillo.



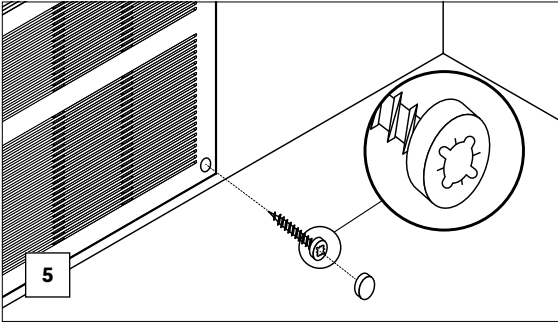
2 Incline la rejilla de cobertura hacia arriba, alejándola de la pared.



3 Limpie el filtro de aire aplicándole aire a presión en dirección opuesta al sentido de flujo normal del aire.



4 Una vez limpio el filtro de aire se puede volver a colocar la rejilla de cobertura sobre el cajón para montaje empotrado.



5 A continuación hay que fijar de nuevo la rejilla de cobertura a la pared con el tornillo y se puede cubrir éste con el capuchón.



No ponga nuevamente en funcionamiento el deshumidificador hasta que la rejilla de cobertura con el filtro esté fijada correctamente.

04.04 Recambios

Recomendamos utilizar recambios originales. En caso necesario diríjase por favor a su persona de contacto en REHAU.

04.05 Desmontaje y eliminación

Este aparato ha sido concebido y fabricado para funcionar de modo continuo. La vida útil de algunos componentes importantes, como p. ej. el ventilador y el compresor, depende del mantenimiento que se realiza de ellos.



Antes del desmontaje hay que desconectar el aparato.



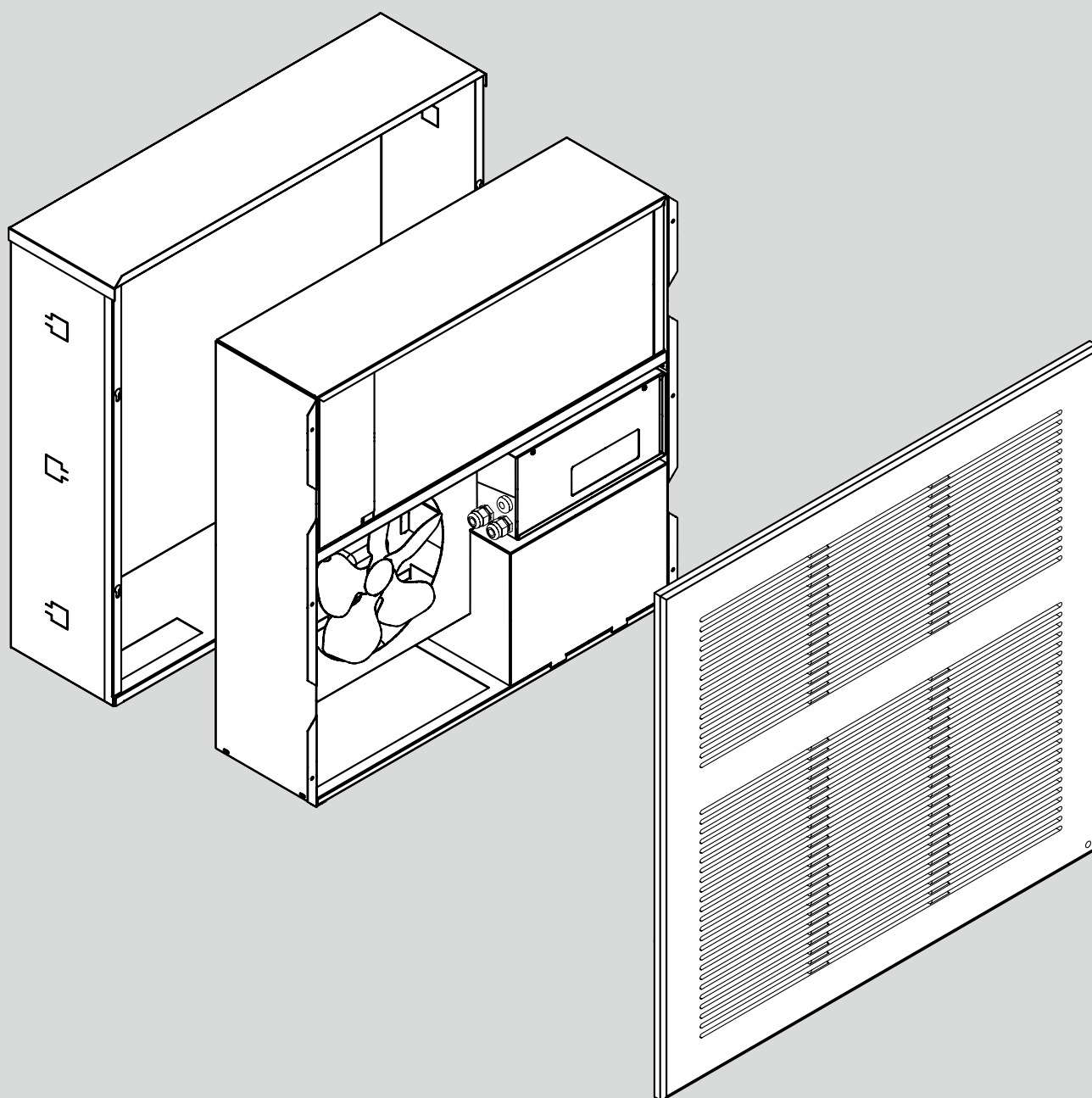
Tenga en cuenta que el sistema puede contener agua.



El desmontaje se ha de confiar siempre a personal técnico provisto de un equipo de protección individual adecuado. Debido al peso del aparato, el desmontaje debe ser realizado, como mínimo, por dos personas. Para evitar lesiones o desperfectos durante el transporte consiguiente hay que proveer el aparato de un material de embalaje adecuado y de suficientes elementos de aseguramiento para el transporte.

El aparato contiene sustancias y componentes peligrosos para el medio ambiente (componentes electrónicos, gas refrigerante y aceites). Cuando haya que desmontar el aparato al final de su vida útil, se deberá confiar siempre esta operación a personal técnico. Entregar el aparato a una empresa especializada en la recogida y eliminación de aparatos que contienen sustancias peligrosas. El refrigerante R134a y el aceite lubricante contenidos en el circuito deben ser recuperados en conformidad con la normativa vigente en el país de utilización del aparato.

Engineering progress
Enhancing lives*



Déshumidificateur DHU W 22 L

Instructions de montage, de mise en service et de maintenance



Table des matières

01	Informations et consignes de sécurité	41
02	Description du produit	43
02.01	Généralités	43
02.02	Composants	43
02.03	Caractéristiques techniques	44
02.04	Schéma électrique	45
03	Instructions de montage	46
03.01	Conditionnement et contenu de la livraison	46
03.02	Montage de l'appareil	46
03.03	Raccordement hydraulique	48
03.04	Alimentation générale et commande	49
03.05	Montage de la grille de protection	50
04	Mise en service et utilisation	52
04.01	Écran et commande	52
04.02	Première mise en service	53
04.03	Utilisation et maintenance	54
04.04	Pièces de rechange	55
04.05	Démontage et élimination	55

01 Informations et consignes de sécurité



Concernant ces instructions

Veillez lire attentivement et intégralement ces instructions avant de commencer à utiliser le déshumidificateur. Veillez conserver ce document pendant toute la durée de vie de l'appareil et le transmettre aux utilisateurs ultérieurs. Pour afficher et télécharger la version applicable de ces instructions et des autres consignes, veuillez consulter

www.rehau.com/TI.



Danger de mort dû à la tension électrique



Consignes de sécurité



Remarques d'ordre juridique



Informations importantes



Informations complémentaires sur Internet p. ex.



Sécurité

Toutes les consignes de sécurité de ce manuel doivent être respectées afin d'éviter les accidents de personnes et les dommages matériels.



Le présent document a été rédigé à l'attention des professionnels autorisés et qualifiés.

Le produit doit être installé et utilisé en stricte conformité avec les informations et spécifications pertinentes figurant dans le présent document.

Le fabricant ne peut être tenu pour responsable des modifications apportées au produit par l'utilisateur.

Tout non-respect des réglementations et spécifications figurant dans ces instructions entraîne l'annulation immédiate de la garantie. Il est dans votre intérêt de vous adresser immédiatement au fabricant en cas d'anomalies ou d'incertitudes.



Attention, danger de mort !

- L'installation électrique doit être réalisée exclusivement par un électricien qualifié responsable. L'installation électrique doit être effectuée conformément aux dispositions nationales en vigueur ainsi qu'à celles de votre fournisseur d'électricité local.
- Les interventions sur l'appareil et les modifications qui y sont apportées au moyen d'outils doivent être réalisées uniquement par le personnel technique compétent.
- L'installation de l'appareil doit être effectuée par un personnel qualifié et dans le strict respect des normes de sécurité en vigueur.
- Aucune personne (y compris les enfants) présentant des facultés physiques, sensibles ou mentales réduites, inexpérimentées ou manquant de connaissances sur ce produit n'est autorisée à utiliser ou à travailler avec ce produit.
- Assurez-vous qu'aucun enfant ne joue avec ce produit.
- Cet appareil a été conçu et fabriqué selon des règles de sécurité très strictes. Néanmoins, aucun objet tranchant (tournevis, aiguilles ou autres) ne doit être introduit dans les grilles ou autres ouvertures de l'appareil.
- Le déshumidificateur doit être raccordé à une alimentation en courant électrique suffisamment protégée par un disjoncteur différentiel. Un dispositif de séparation électrique doit être installé à proximité de l'appareil afin que l'opérateur puisse intervenir dans des conditions de sécurité acceptables. Ce dispositif doit toujours être utilisé de manière à exclure tout risque lors des opérations de maintenance (choc électrique, brûlures, remise en route automatique, éléments en mouvement et commande à distance).
- L'appareil doit toujours être raccordé par le câble de terre de l'installation électrique. Le non-respect de cette règle peut, comme pour tous les appareils électriques, entraîner un danger pour lequel le fabricant décline toute responsabilité.
- Cet appareil doit être installé conformément aux consignes d'installation locales du fournisseur d'énergie.
- Toutes les opérations de maintenance et de nettoyage effectuées sur l'appareil doivent être exécutées hors tension. N'ôtez et n'ouvrez en aucun cas une partie de l'appareil sans couper l'alimentation électrique au préalable.



Configuration de l'installation

- L'appareil doit être installé dans un lieu propre et sec, protégé des projections et gouttes d'eau.
- L'appareil est prévu pour être utilisé à l'intérieur de bâtiments.
- Veillez à ce que la grille de protection ne soit pas recouverte ou obstruée, au risque d'endommager l'appareil et d'entraîner un danger.



Nettoyage

Nettoyez régulièrement le filtre : le nettoyage doit avoir lieu tous les deux mois au moins. En cas d'utilisation dans des environnements très poussiéreux, le nettoyage doit être plus fréquent. Vous trouverez des informations concernant les procédures de maintenance et de nettoyage dans les présentes instructions.

Si le filtre est encrassé, l'air sera plus chaud que la normale, ce qui peut endommager l'appareil et réduire la formation de condensats.



Équipement de protection individuelle

Veillez utiliser l'équipement de protection individuelle suivant pour l'utilisation et la maintenance de l'appareil :



Les personnes effectuant des travaux de maintenance ou travaillant avec l'appareil doivent porter des chaussures de sécurité antistatiques avec des semelles antidérapantes.



Gants : pour les travaux de nettoyage et de maintenance, l'utilisation de gants adaptés est impérative.



Pour les travaux de nettoyage et de maintenance, des lunettes de protection sont obligatoires pour protéger les yeux.

Symboles de sécurité

Lors de la construction et la fabrication de l'appareil, tous les efforts ont été entrepris pour éviter tout risque. Le système porte les symboles de sécurité suivants qui doivent impérativement être pris en compte :



Danger général



Risque de choc électrique

Généralités

Les présentes instructions et les documents fournis doivent permettre à l'installateur de réaliser correctement l'installation et la mise en service de l'appareil sans mettre en danger les personnes et sans endommager l'appareil. En outre, ils permettent à l'utilisateur ultérieur de nettoyer le filtre correctement et en toute sécurité.

Pour toutes les activités liées à l'utilisation et la maintenance de l'appareil, nous recommandons de respecter les consignes suivantes :

- Les activités doivent être exécutées uniquement par des personnes suffisamment qualifiées, qui doivent appliquer des modes opératoires sûrs et utiliser des équipements de protection individuelle adaptés à la tâche à accomplir.
- Les activités doivent être exécutées uniquement par des personnes informées et formées en conséquence, qui ont lu et compris les présentes instructions, les informations techniques et les consignes de sécurité.
- L'accès à l'appareil doit être interdit aux personnes qui ne sont pas formées et autorisées en conséquence.

Conformité CE

L'appareil décrit dans les présentes instructions répond, en combinaison avec les produits Coffret mural encastrable DHU et grille de protection DHU G-W et lorsqu'il est monté en stricte conformité avec ces instructions, aux exigences fondamentales des directives européennes suivantes :

- Sécurité électrique pour les applications basse tension 2014/35/UE,
- Compatibilité électromagnétique 2014/30/UE,
- Équipements sous pression 2014/68/UE,
- Directive RoHS 2011/65/UE.

Les normes harmonisées suivantes s'appliquent

- DIN EN 60335-2-40: 2014-01
- DIN EN 60335-1: 2020-08
- DIN EN 55014-1/A11: 2021-03
- DIN EN 55014-2: 2017-03
- DIN EN 378-2: 2018-04
- DIN EN IEC 63000: 2019-05

02 Description du produit

02.01 Généralités

Dans les régions où les températures et l'hygrométrie sont élevées, il existe un risque de formation de condensation sur les surfaces de refroidissement d'un système de rafraîchissement. En outre, une hygrométrie trop élevée peut avoir des effets néfastes sur le confort thermique. Pour ces raisons, il est utile de réduire l'hygrométrie dans les locaux.

Le déshumidificateur à grille de protection DHU W 22 L a été développé spécialement pour être utilisé avec des systèmes de rafraîchissement de surface REHAU.

La commande externe de l'appareil s'effectue avec le système de régulation NEA SMART 2.0 de REHAU.

02.02 Composants

Le mode de fonctionnement de cet appareil repose sur la déshumidification de l'air. L'humidité est ainsi extraite de l'air, la température étant quasiment identique au niveau de l'entrée et de la sortie.

Le déshumidificateur se compose d'un filtre à air, d'un circuit réfrigérant, d'un circuit d'eau raccordé au circuit hydraulique du système rafraîchissant, d'un ventilateur et d'une unité électronique.

Le filtre à air garantit la réduction de la pénétration de saletés et de poussières dans la machine. Il doit être nettoyé régulièrement. À ce sujet, consultez le chapitre 04.03.

Le circuit d'eau, qui peut être raccordé à un circuit hydraulique du système de rafraîchissement, dispose de deux échangeurs thermiques à lamelles à circulation d'air, du refroidisseur préalable et du refroidisseur final.

Le circuit de réfrigérant comprend les composants suivants :

Un échangeur thermique à lamelles à circulation d'air sur lequel l'air est déshumidifié, est l'évaporateur du circuit de réfrigérant. L'énergie requise est prélevée dans l'environnement. Il s'agit de la zone froide.

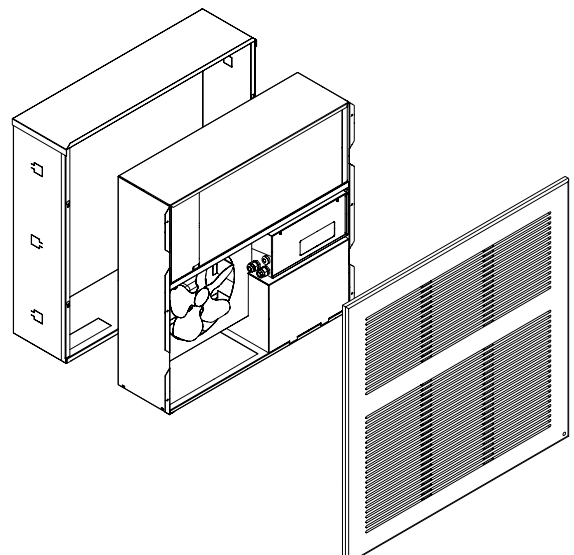
Le compresseur du circuit est un compresseur à piston hermétique pour la mise sous pression du fluide frigorigène.

Le condenseur du circuit de réfrigérant fait également office d'échangeur thermique à lamelles à circulation d'air. Ce processus libère de la chaleur. Il s'agit de la zone chaude.

La baisse de pression dans le circuit de réfrigérant s'effectue au moyen de capillaires.

Une unité électronique dotée d'un microprocesseur et d'un écran assure la surveillance et la commande de la machine.

Le microprocesseur commande les phases de dégivrage ainsi que les opérations d'allumage et d'extinction du compresseur et du ventilateur.

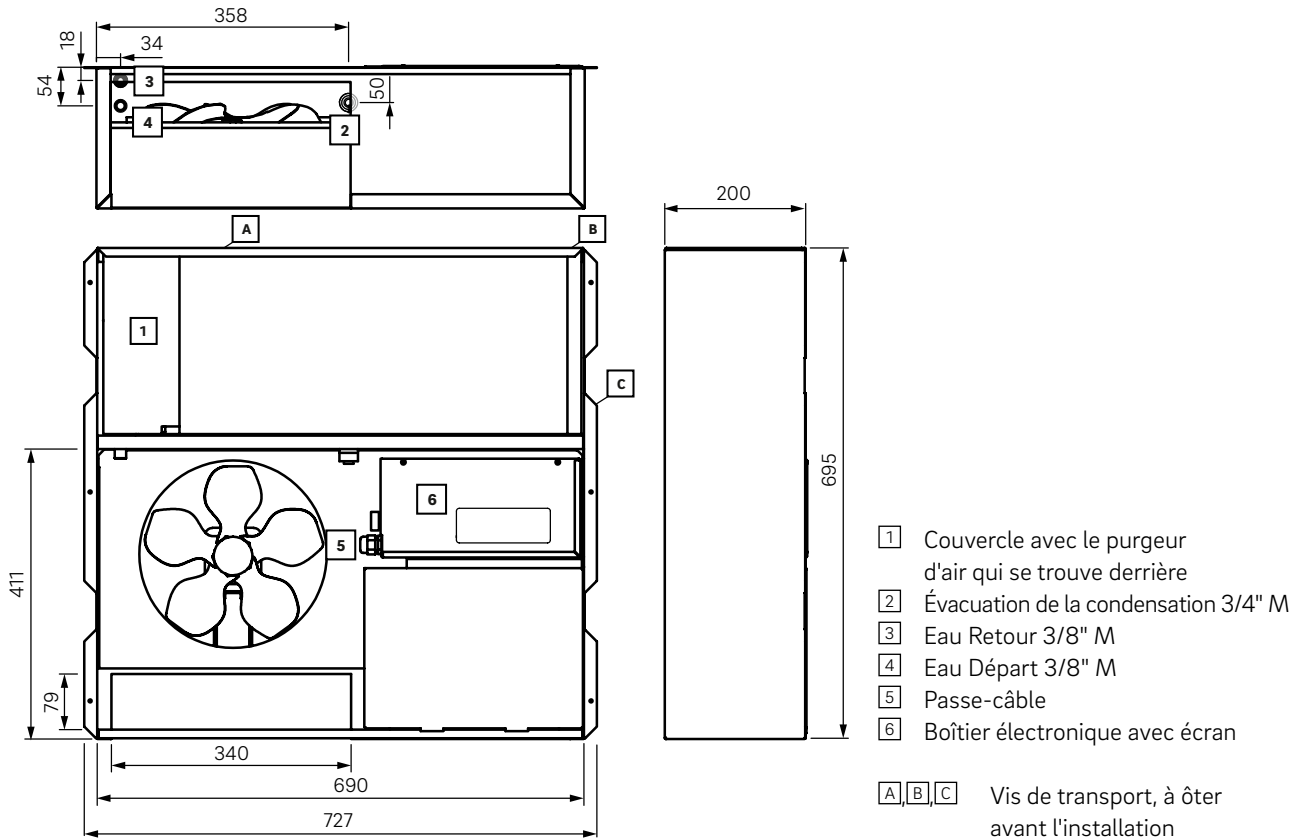


02.03 Caractéristiques techniques

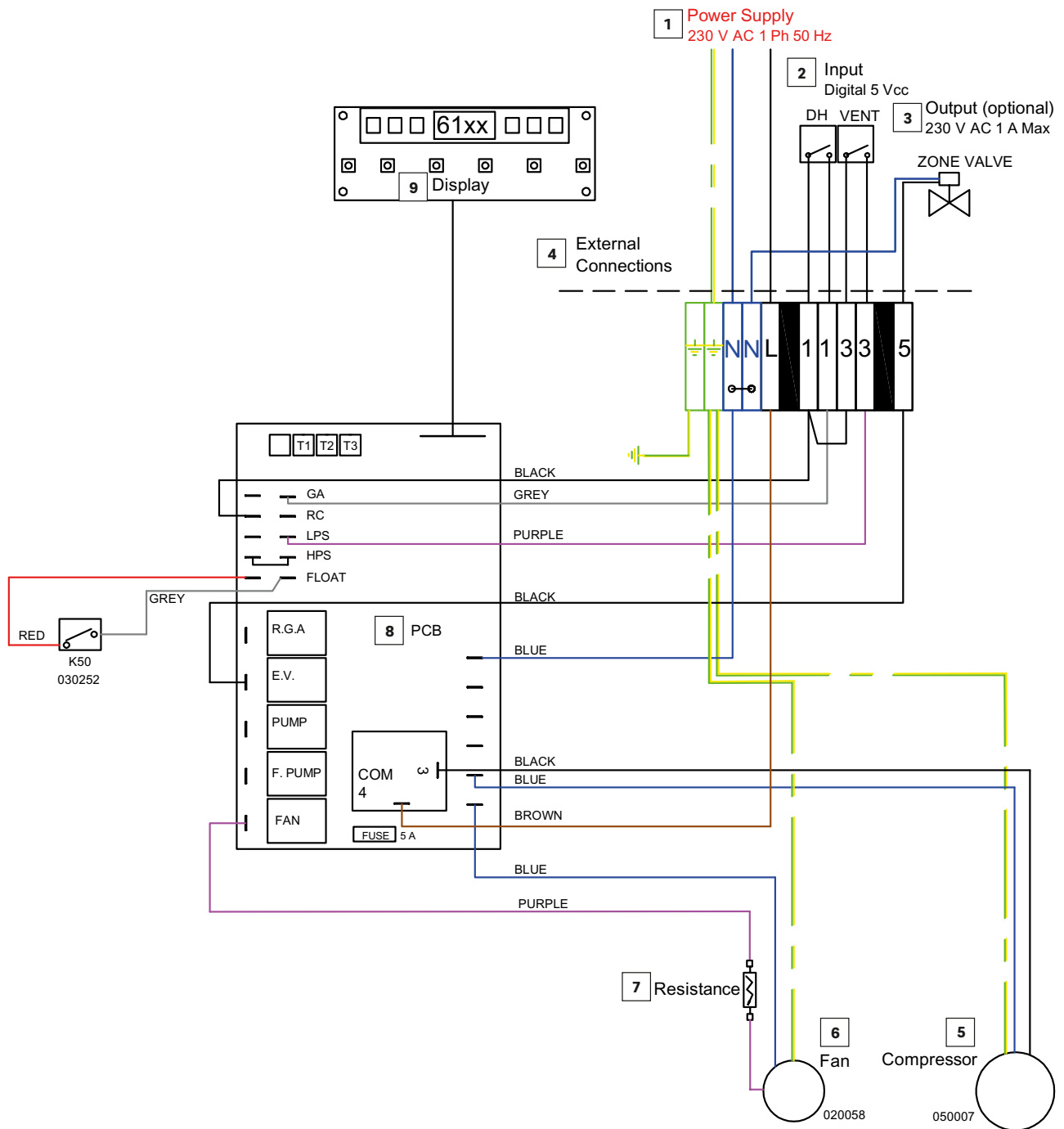
Alimentation de tension	230 VCA, 50 Hz
Puissance électrique ¹⁾	410 W
Consommation électrique maximale	3,5 A
Courant d'enclenchement	20,0 A
Débit d'air (filtre propre)	190 m ³ /h
Fluide frigorigène R134a	400 g
Plage de fonctionnement Température	10 – 32 °C
Plage de fonctionnement Hygrométrie relative	45 – 98 %
Puissance de déshumidification ^{1), 2)}	22 l/j
Puissance côté eau ¹⁾	1 130 W
Débit d'eau	180 l/h
Perte de charges dans le circuit d'eau à 180 l/h	14 kPa
Dimensions (L x H x l)	727 mm x 695 mm x 200 mm
Poids avec le circuit d'eau rempli	35,1 kg

¹⁾ Air : 25 °C, 65 % H. r. / Eau : 16 °C, 180 l/h

²⁾ Puissance de déshumidification mesurée conformément aux normes DIN EN 810 et DIN EN 1397



02.04 Schéma électrique



- 1 Alimentation 230V AC 50Hz
- 2 Signaux d'entrée (numériques 5 VCC)
 - DH Hygrostat - lance la déshumidification
 - VENT lance Ventilation
- 3 Signal de sortie (en option, 230 VCA 1 A Max)
ZONE VALVE Moteur thermique du circuit d'eau
- 4 Raccordements côté client

- 5 Compresseur
- 6 Ventilateur
- 7 Résistance électrique
- 8 Circuit imprimé
- 9 Écran

03 Instructions de montage



Le montage doit être réalisé par un personnel qualifié.

03.01 Conditionnement et contenu de la livraison

Retirez soigneusement l'emballage en prenant soin de ne pas endommager l'appareil.



Lisez soigneusement et intégralement les instructions de montage avant de commencer à travailler avec le produit. Conservez les instructions de montage pendant toute la durée de vie de l'appareil et transmettez-les aux utilisateurs suivants.

Conservez l'emballage hors de portée des enfants et des animaux au risque de provoquer des situations dangereuses.



Éliminez les produits d'emballage (bois, plastique, carton, polystyrène ou polystyrène expansé) auprès de centres de collecte spécialisés ou de sites de recyclage conformément aux réglementations locales.



Tous les composants de l'appareil sont montés et contrôlés dans l'usine. À la réception de l'appareil, celui-ci doit faire l'objet d'un contrôle approfondi pour s'assurer de l'absence de dommages liés au transport et de pièces manquantes.

Le montage et l'utilisation de ce déshumidificateur requièrent deux autres produits :

- Le coffret mural encastrable DHU de REHAU qui est encastré dans la paroi
- La grille de protection DHU G-W de REHAU avec filtre intégré au niveau de l'entrée d'air



La conformité CE s'applique exclusivement en cas d'utilisation du déshumidificateur en combinaison avec les produits correspondants, à savoir le coffret mural encastrable DHU et la grille de protection DHU G-W, et en cas de montage en stricte conformité avec les présentes instructions.

03.02 Montage de l'appareil

Ce produit est installé dans la paroi. Pour ce faire, il convient d'abord d'installer un coffret mural encastrable dans un évidement correspondant de la paroi.



La disponibilité des conduites de raccordement hydrauliques et électriques requises et la position adéquate doivent être prises en compte en amont.

Le déshumidificateur est ensuite monté et raccordé dans ce coffret mural encastré. L'appareil est couvert de la grille de protection fixée par une vis sur la paroi.



Lors du montage, il convient de tenir compte des points suivants :

- L'appareil doit être monté dans un lieu propre et sec, protégé des projections et gouttes d'eau.
- L'appareil est prévu pour être utilisé à l'intérieur de bâtiments.



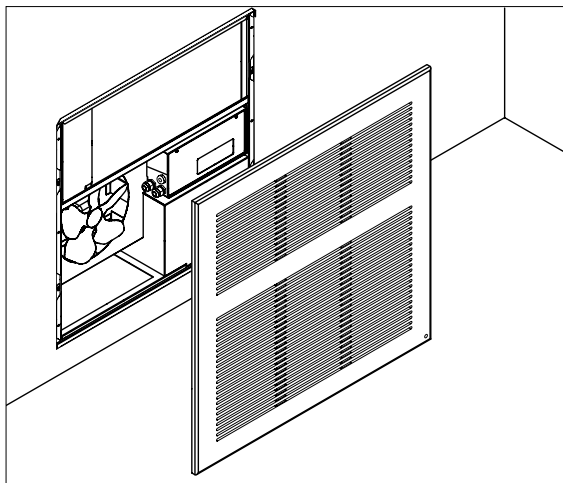
Veillez à une installation correcte et stable du coffret mural encastrable et du déshumidificateur.

Vous devez prendre en compte :

- le poids du déshumidificateur
- le matériau, l'état et l'épaisseur de la paroi
- les éventuelles vibrations du déshumidificateur



- Veuillez tenir compte du poids, des arêtes et bords tranchants de l'appareil et porter des vêtements de protection adaptés.
- Au vu du poids, le montage doit être réalisé par au moins deux personnes.



Création de la réservation dans la paroi

Les dimensions de la réservation doivent correspondre à la taille du coffret mural encastrable. Il doit être réalisé de manière à ce que les arêtes extérieures du coffret mural encastrable soient affleurantes. Observez pour cela l'illustration suivante.



Lors de la réalisation de la réservation dans la paroi, veillez à tenir compte de la place nécessaire aux raccordements électriques et hydrauliques dans la paroi.



Tenez compte de la hauteur de montage du coffret mural encastrable. Pour le montage, une distance minimale de 7 cm doit être respectée par rapport à l'arête supérieure du revêtement de sol supérieur, afin de pouvoir monter la grille de protection.

Montage du coffret mural encastrable DHU

Le coffret mural encastrable doit être monté en fonction de la paroi existante.

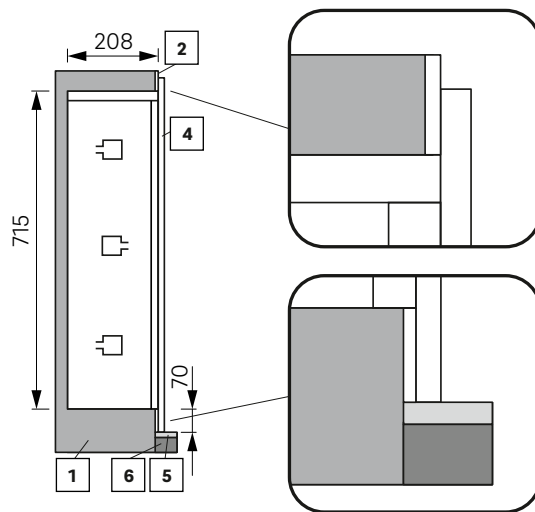
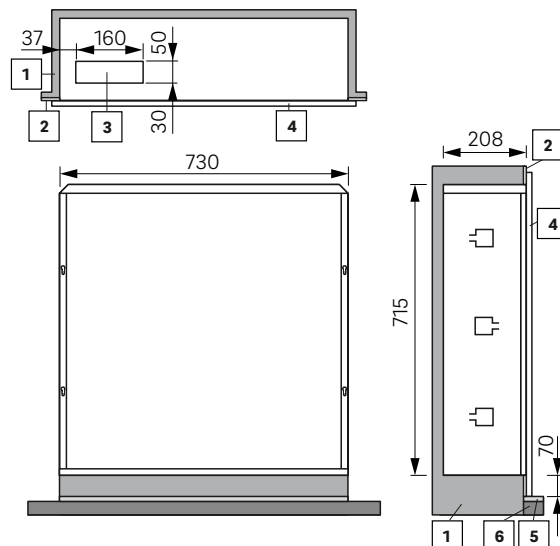
Dans le cas d'un mur massif, le coffret mural encastrable peut être encastré dans la maçonnerie. La grille en acier galvanisé à l'arrière et les brides sur les côtés du coffret mural encastrable favorisent une bonne tenue du mortier.

Dans le cas d'une cloison sèche, il faut veiller à ce qu'il y ait une structure porteuse aux dimensions suffisantes pour supporter le poids total et le fonctionnement de ce déshumidificateur. Le coffret mural encastrable doit être monté de manière fixe.

Le coffret mural encastrable doit être installé de manière à ce que l'arête inférieure se trouve à au moins 7 cm au-dessus du revêtement de sol supérieur. Si la grille de protection doit se trouver au-dessus d'une plinthe, la distance minimale de 7 cm doit être augmentée de la hauteur de la plinthe.



Le support transversal ne doit être retiré que lorsque le mortier est sec et que le coffret mural encastrable est fixé.



- 1 Paroi
- 2 Encastrement
- 3 Ouverture sur la partie inférieure pour le passage des conduits hydrauliques et électriques
- 4 Grille de protection
- 5 Revêtement de sol
- 6 Chape

Installation du déshumidificateur

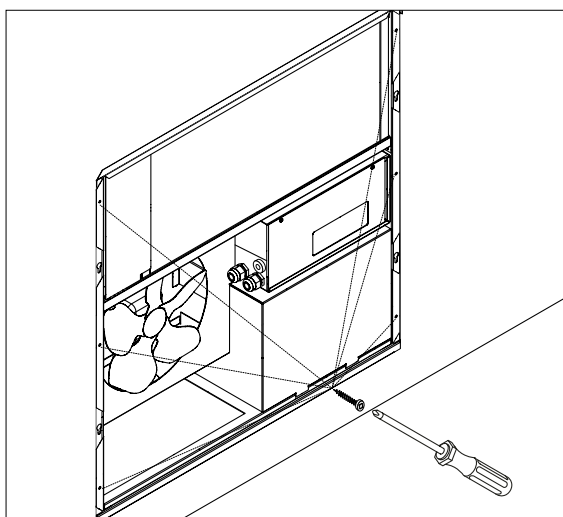


Ôtez les vis de transport A, B et C situées sur la partie supérieure et sur la partie droite de l'appareil.



Notez que l'appareil ne doit pas être inséré dans le coffret mural encastrable tant que le mortier n'est pas complètement sec et que le coffret mural encastrable n'est pas fixé.

Avant de pouvoir utiliser le déshumidificateur dans le coffret mural encastrable, le renfort transversal doit être ôté. Une fois l'appareil installé dans le coffret mural encastrable, l'appareil est fixé avec les vis prévues à cet effet sur le coffret mural encastrable.



03.03 Raccordement hydraulique

	Dimensions des tuyaux	Raccordement
Circuit de refroidissement (DEP/RET)	$d_{in} \geq 16 \text{ mm}$	3/8" M
Condensat	$d_{in} \geq 16 \text{ mm}$	3/4" M

Circuit d'eau



Il est recommandé de prévoir un filtre sur le circuit hydraulique à l'entrée du déshumidificateur pour protéger le circuit hydraulique interne.

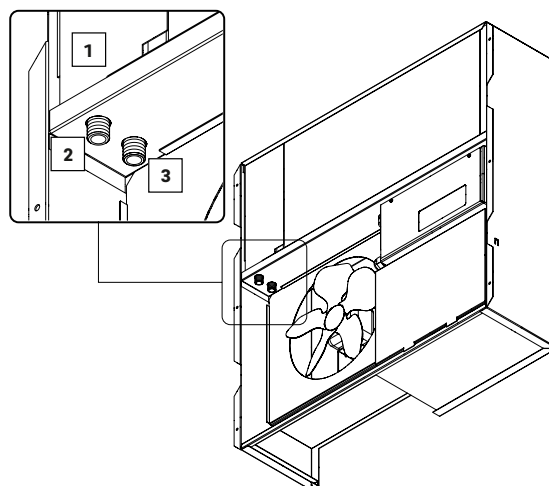
Pour les raccordements hydrauliques au déshumidificateur (départ et retour), utilisez le tube REHAU RAUTHERM ou RAUTHERM Multi et respectez les réglementations locales en vigueur.

Pour le raccordement correct au collecteur du système de rafraîchissement de surface et le réglage adapté du débit, veuillez consulter les instructions de montage correspondantes et les réglementations locales en vigueur. Le débit nominal depuis le circuit d'eau s'élève à 180 l/h avec ce déshumidificateur.

Utilisez une technique de raccordement et un matériau d'étanchéité appropriés afin d'éviter toute fuite d'eau.

Purgez soigneusement le circuit d'eau à l'aide de la vanne correspondante sur l'appareil. La soupape se trouve sous le couvercle identifié qui peut être serré au moyen de deux vis.

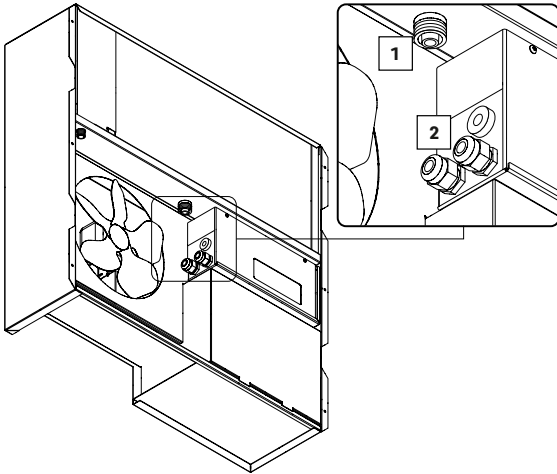
Pour éviter la formation de condensat sur les raccordements métalliques, ces derniers doivent être isolés.



- 1 Couvercle avec le purgeur d'air qui se trouve derrière
- 2 Eau Retour 3/8" M
- 3 Eau Départ 3/8" M

Évacuation de la condensation

Pour éviter la formation de mauvaises odeurs liées aux eaux usées, il est important de relier l'évacuation des condensats à un siphon. Pour faciliter le nettoyage, montez le siphon à un emplacement bien accessible.



- 1 Évacuation de la condensation 3/4" M
2 Passe-câble

03.04 Alimentation générale et commande

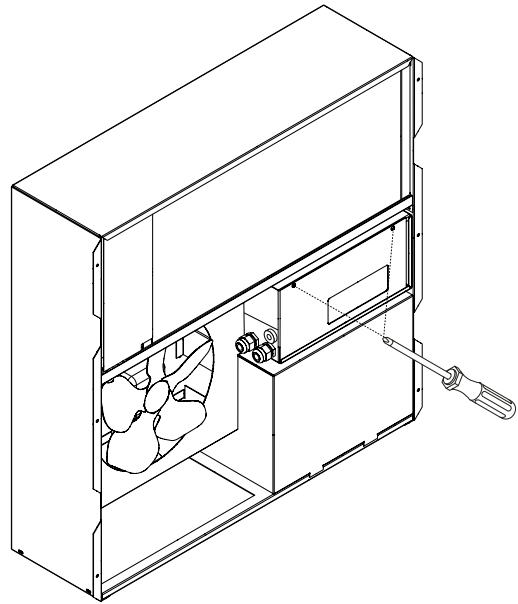
	Dimensions	Raccordement
Alimentation	au moins 1,5 mm ² , rigide	bornes



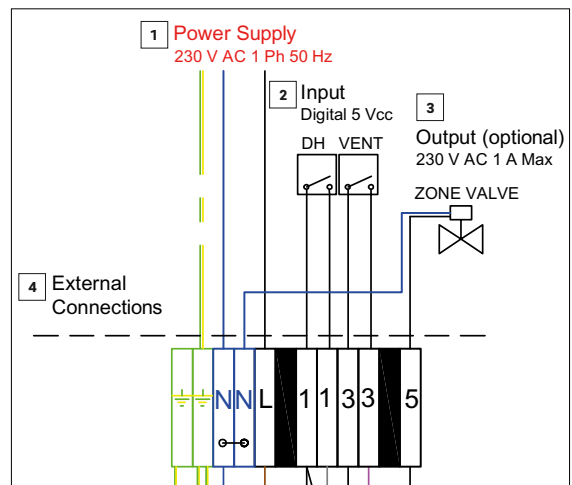
Attention, danger de mort !

- L'installation électrique doit être réalisée exclusivement par un électricien qualifié responsable. L'installation électrique doit être effectuée conformément aux dispositions nationales en vigueur ainsi qu'à celles de votre fournisseur d'électricité local.
- Avant tous les travaux sur les composants électriques, assurez-vous que l'alimentation de tension soit interrompue.
- L'alimentation de tension principale doit être sécurisée par un disjoncteur différentiel.
- Un dispositif de séparation électrique doit être monté à proximité de l'appareil afin de couper l'alimentation électrique avant les travaux de maintenance et de nettoyage.
- Il convient de s'assurer que les réglementations pour les composants et les installations électriques sont intégralement respectées.
- Vérifiez si la tension d'alimentation correspond aux caractéristiques nominales de l'appareil (tension, fréquence) figurant sur la plaque signalétique de l'appareil.
- La mise à la terre est nécessaire et doit être raccordée en premier lors de l'installation.

Desserrez les deux vis du boîtier électronique et ôtez le couvercle de l'écran avec précaution.



Raccordez l'alimentation de tension (230 V CA, monophasé, 50 Hz) aux bornes Phase L, Neutre N et conducteur de protection PE de l'appareil, comme le montre l'illustration.



- 1 Alimentation en tension et en courant
2 Signaux d'entrée (numériques 5 VCC)
▪ DH Hygostat – lance la déshumidification
▪ VENT lance Ventilation
3 Signal de sortie (en option, 230 VCA 1 A Max)
ZONE VALVE Moteur thermique du circuit d'eau
4 Raccordements côté client

Des contacts sans potentiel sont prévus pour les entrées de commande de l'appareil. Raccordez les câbles correspondants avec la borne, comme le montre l'illustration. Il existe deux signaux d'entrée différents :

- DH : Demande de déshumidification
- VENT : Demande d'utilisation continue du ventilateur

Pour commander l'humidificateur, il est possible d'utiliser le système de régulation NEA SMART 2.0 de REHAU. Pour le raccordement et l'utilisation corrects, respectez les informations techniques correspondantes et tenez compte des réglementations locales en vigueur.

Si nécessaire, le moteur thermique REHAU 230 V, affecté au circuit hydraulique du déshumidificateur, peut être raccordé aux bornes du signal de sortie ZONE VALVE. Lors de l'utilisation d'un moteur thermique fourni par le client, veuillez vous assurer que les caractéristiques nominales de ce moteur thermique correspondent au signal de sortie 230 VCA 1 A Max du déshumidificateur.



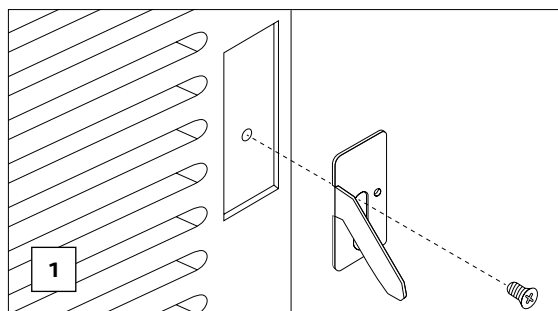
Utilisez des câbles séparés pour l'alimentation de tension, les signaux d'entrée et le signal de sortie, ainsi que les presse-étoupes montés en usine prévus à cet effet sur l'appareil. Si trois presse-étoupes sont nécessaires à cet effet, un presse-étoupe supplémentaire doit être monté par le client à l'emplacement du passe-câble. Les presse-étoupes montés par le client sont adaptés aux câbles affichant un diamètre extérieur de 6 - 12 mm.

Avant d'utiliser l'appareil, le couvercle du boîtier électronique doit être refermé correctement.

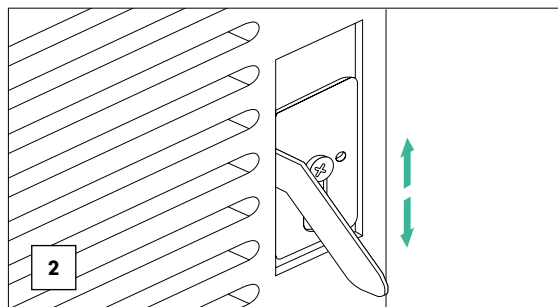
03.05 Montage de la grille de protection

Préparation de la grille de protection

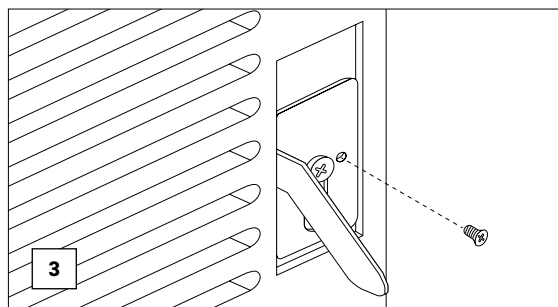
Pour fixer les quatre supports à l'arrière de la grille de protection, les étapes suivantes doivent être systématiquement suivies :



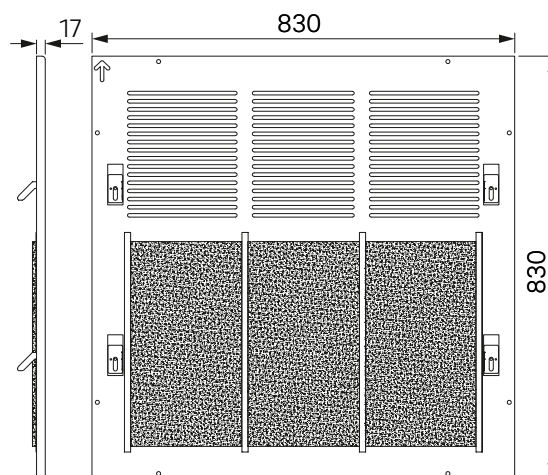
1 Positionnez le support dans l'évidement prévu sur la partie arrière de la grille de protection et vissez-le avec une vis filetée. Notez que la courbure du support est orientée vers l'intérieur et les crochets vers le bas.



2 Réglez la position correcte du support.

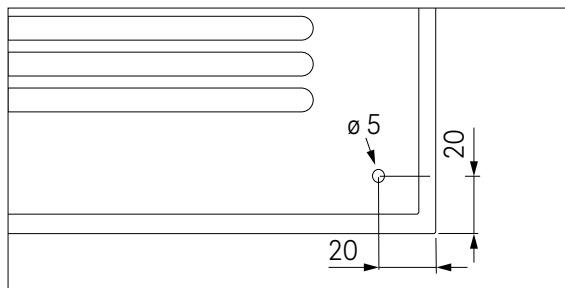


3 Fixez le support avec la vis à bois.

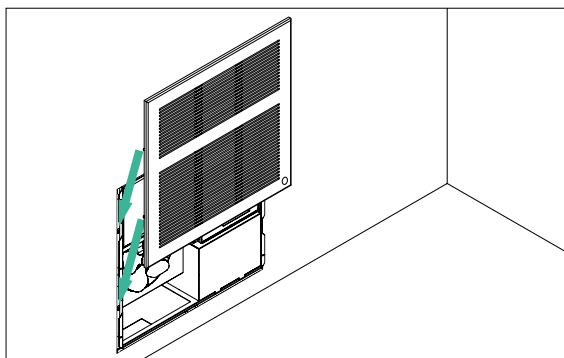


Vue latérale et vue arrière de la grille de protection

Afin que la grille de protection puisse être fixée avec une vis sur la paroi, un perçage doit être réalisé dans un angle inférieur de la grille de protection avec une mèche à bois appropriée. Tenez compte, pour cela, du diamètre et de la position du perçage en suivant l'illustration suivante.



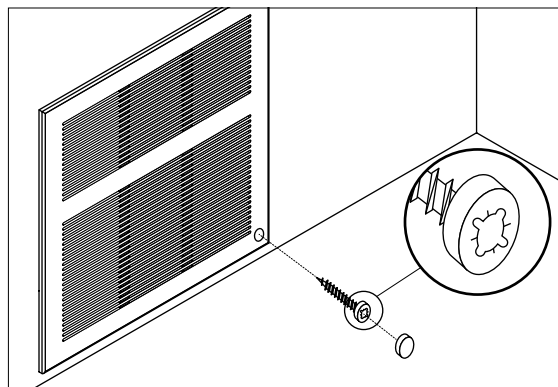
Préparation de la paroi



Placez la grille de protection sur le coffret mural encastrable et marquez le point de perçage sur la paroi.

Ôtez à nouveau la grille de protection et effectuez un perçage avec une mèche adaptée au mur concerné et à la vis fournie. Utilisez ensuite une cheville adaptée à la paroi.

Pose de la grille de protection DHU W-G



Une fois l'appareil correctement raccordé, la grille de protection peut être montée. Pour cela, remettez-le en place et vissez-le avec la vis prévue à cet effet. La vis peut ensuite être dissimulée avec le capuchon.



Ce déshumidificateur doit être utilisé uniquement si la grille de protection est correctement fixée avec la vis fournie.



Manipulez la grille de protection avec précaution afin d'éviter tout dommage ou éclat.



La grille de protection blanche ne peut pas être peinte.



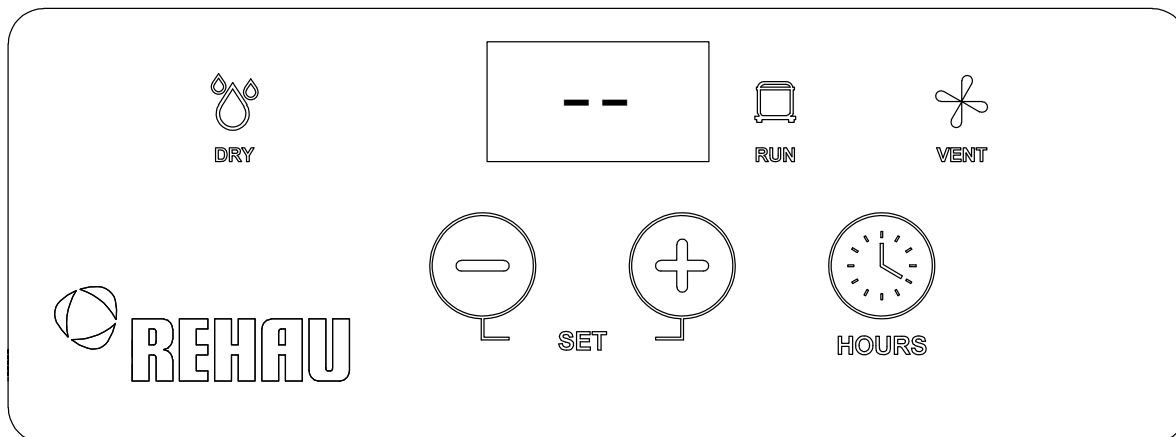
La grille de protection peut être montée sur le coffret mural encastrable installé en présence ou non du déshumidificateur.



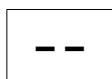
Veillez tenir compte l'orientation correcte de la grille de protection. La partie de la grille de protection à l'arrière de laquelle se trouve le filtre à air doit être positionnée sur la partie basse du déshumidificateur, c'est-à-dire devant le ventilateur. Le filtre de la grille de protection doit être nettoyé régulièrement. À ce sujet, consultez le chapitre 04.03.

04 Mise en service et utilisation

04.01 Écran et commande



Affichages



Alimentation de tension raccordée

Deux traits bleus sur l'écran indiquent la présence d'une alimentation électrique. En l'absence de demande, l'appareil se trouve en mode VEILLE.



Déshumidification active

Ce voyant LED orange indique que la déshumidification est active. Si le symbole n'est pas allumé, alors aucune déshumidification n'est requise à ce moment.



Ventilation continue active

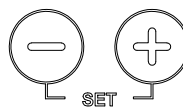
Ce voyant LED orange s'allume si la demande de ventilation continue est activée. Autrement, cela signifie qu'il n'y a aucune demande.



Le compresseur fonctionne

Si ce voyant LED vert s'allume de façon constante, cela signifie que le compresseur est en cours de fonctionnement. Si ce voyant LED clignote, le compresseur se trouve en mode Pause. Ce mode est actif pendant la phase d'allumage et pendant la phase de dégivrage automatique commandé par le microprocesseur.

Boutons



Boutons de réglage

Ces boutons sont nécessaires uniquement pour la configuration, et non pas pour l'utilisation ou la maintenance normale.



HOURS

Si ce bouton est actionné, les heures de fonctionnement du compresseur s'affichent.

04.02 Première mise en service

Avant de mettre le déshumidificateur sous tension pour la première fois en commutant le dispositif de séparation électrique, vérifiez les points suivants :

- Les consignes de sécurité et les réglementations locales en vigueur ont-elles été respectées ?
- Le coffret mural encastrable, le déshumidificateur et la grille de protection ont-ils été montés correctement et dans le strict respect de ces instructions ?
- La grille de protection a-t-elle été fixée sur la paroi avec la vis fournie ?
- Les raccords hydrauliques et électriques sont-ils montés conformément aux instructions de ce manuel et dans le respect des prescriptions locales en vigueur ?
- Les raccords hydrauliques et électriques sont-ils posés correctement ?
- Les raccords hydrauliques du circuit d'eau et de l'évacuation de la condensation sont-ils étanches ?
- Le circuit d'eau est-il rempli et correctement purgé ?
- Le déshumidificateur est-il correctement mis à la terre ?
- La tension d'alimentation correspond-elle à la valeur indiquée dans les caractéristiques techniques ?
La tension d'alimentation doit être conforme aux indications figurant sur la plaque signalétique, avec une tolérance de $\pm 10\%$.
- Toutes les plaques-couvercles sont-elles en bonne position et suffisamment sécurisées avec les vis de fixation correspondantes ?
- Le couvercle du boîtier électronique est-il correctement mis en place et fixé avec les vis correspondantes ?



Une fois l'appareil correctement monté, la première mise en service doit être réalisée après une attente d'au moins 2 heures.



Si le circuit d'eau n'est pas rempli, qu'il n'est pas correctement purgé ou que l'alimentation en eau n'est pas suffisante dans la plage de température définie, le fonctionnement de l'appareil peut être affecté.

Dès que l'appareil est mis sous tension, il se trouve en mode VEILLE et deux traits bleus s'affichent.

Il est désormais possible de définir les signaux d'entrée du déshumidificateur à l'aide du système de régulation NEA SMART 2.0 raccordé.

Une fois qu'un signal d'entrée a été défini, le ventilateur démarre directement.

Pour le signal d'entrée Déshumidification (DH), le signal de sortie ZONE VALVE est également activé et le compresseur démarre avec un retard.

Pour le câblage et la configuration corrects du système de régulation NEA SMART 2.0, les informations techniques correspondantes doivent être prises en compte.

04.03 Utilisation et maintenance



Pendant l'utilisation, l'alimentation en eau doit être suffisante dans la plage de température définie.



La grille de protection ne doit pas être déplacée ou recouverte pendant l'utilisation de façon à garantir un flux d'air suffisant.



Avant le démarrage des travaux de maintenance, vérifiez que le déshumidificateur est débranché de l'alimentation électrique. La maintenance doit être réalisée exclusivement par des personnes informées et formées en conséquence.

La maintenance régulière de l'appareil consiste à nettoyer le filtre à air, qui peut être monté dans la zone inférieure à l'arrière de la grille de protection. Ce nettoyage doit être réalisé tous les deux mois dans des conditions normales. Dans les environnements poussiéreux ou en cas d'utilisation intensive de l'appareil, une maintenance plus fréquente peut se révéler nécessaire.



Il doit toujours être possible d'accéder à la grille de protection et au filtre pour effectuer les travaux de maintenance.

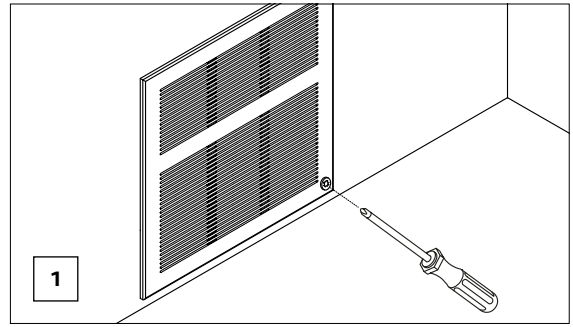


Vérifiez régulièrement l'état et la fonction des fixations du coffret mural encastrable, du déshumidificateur et de la grille de protection au niveau de la structure du bâtiment ou des éléments porteurs.

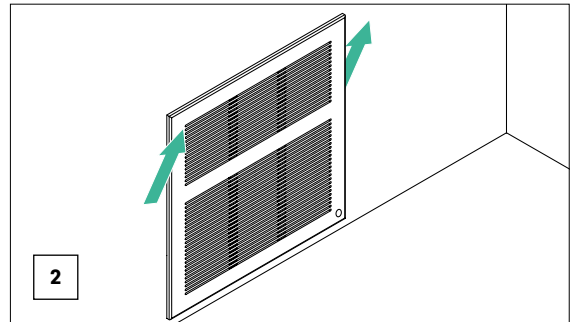


Vérifiez régulièrement que le siphon n'est pas obstrué et que les condensats peuvent s'écouler.

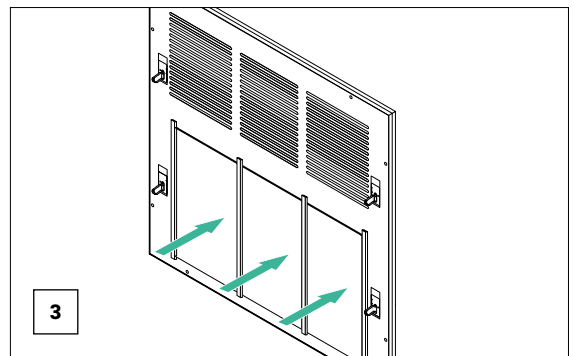
Étapes de nettoyage



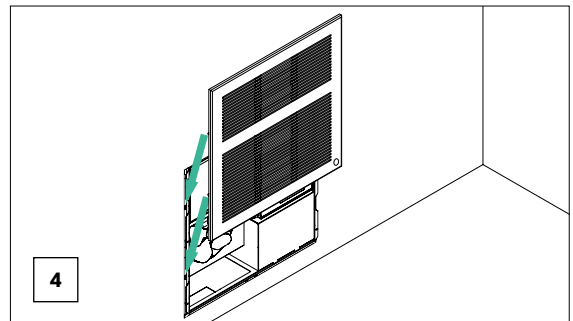
1 Ôtez avec précaution le capuchon de vis de la grille de protection et desserrez la vis.



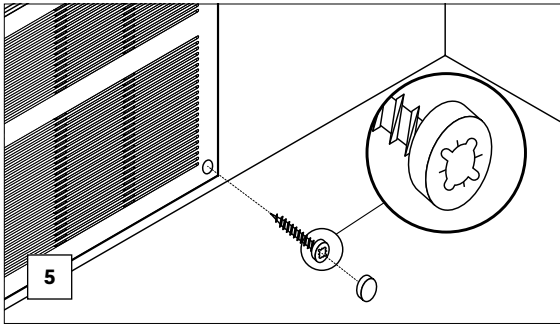
2 Soulevez la grille de protection en biais vers le haut, en l'éloignant de la paroi.



3 Nettoyez le filtre à air dans le sens inverse du flux d'air normal.



4 Une fois le filtre à air nettoyé, la grille de protection peut être remise en place sur le coffret mural encastrable.



5 La grille peut ensuite être fixée à nouveau avec la vis sur la paroi et la vis peut être dissimulée avec le capuchon.



Ne remettez le déshumidificateur en service qu'une fois que la grille de protection a été correctement et solidement remontée.

04.04 Pièces de rechange

Nous recommandons l'utilisation des pièces de rechange d'origine. Adressez-vous si besoin à votre interlocuteur REHAU.

04.05 Démontage et élimination

L'appareil est conçu et monté pour un fonctionnement permanent. La durée de vie de certains composants essentiels, comme le ventilateur et le compresseur, dépend de leur maintenance.



Avant le démontage, l'appareil doit être débranché.



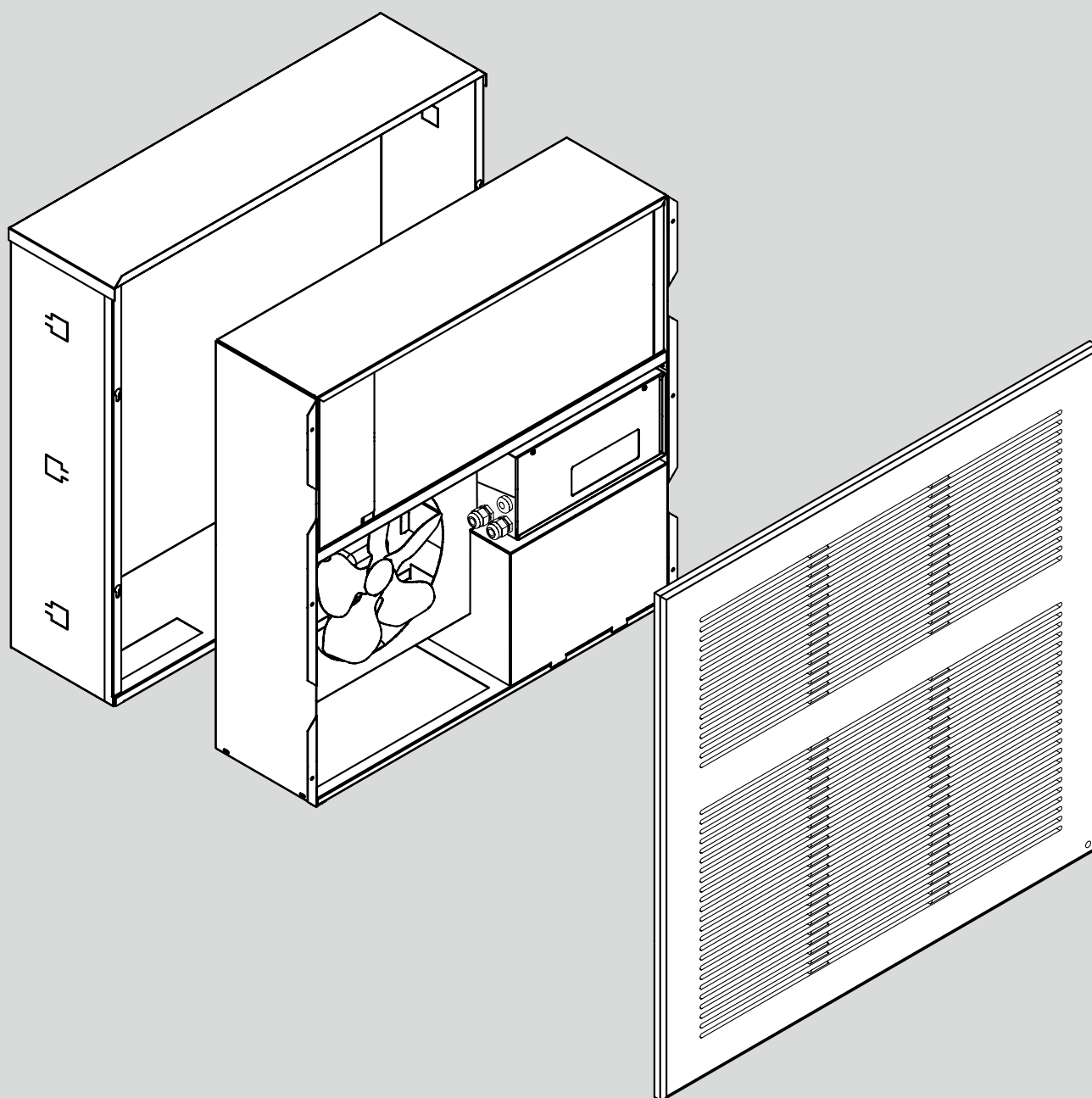
Notez que de l'eau peut être présente dans le système.



Le démontage doit être réalisé uniquement par le personnel spécialisé avec un équipement de protection individuelle adapté. Au vu du poids de l'appareil, le démontage doit être réalisé par au moins deux personnes.

Afin d'éviter toute blessure ou tout dommage lors du transport ultérieur, l'appareil doit être emballé avec un matériau approprié et suffisamment sécurisé pour le transport.

L'appareil contient des substances et composants nocifs pour l'environnement (composants électroniques, gaz réfrigérant et huiles). Si l'appareil doit être démonté à la fin de sa durée d'utilisation, cette opération ne doit être effectuée que par un personnel qualifié. L'appareil doit être remis à des entreprises spécialisées dans la collecte et l'élimination des appareils contenant des substances dangereuses. Le réfrigérant R134a et l'huile de graissage contenus dans le circuit doivent être récupérés conformément aux réglementations en vigueur dans votre pays.



Deumidificatore DHU W 22 L

Istruzioni di montaggio, messa in funzione e manutenzione

Indice

01	Informazioni e indicazioni di sicurezza	59
02	Descrizione del prodotto	61
02.01	Informazioni generali	61
02.02	Componenti	61
02.03	Dati tecnici	62
02.04	Schema elettrico	63
03	Istruzioni di montaggio	64
03.01	Imballaggio e fornitura	64
03.02	Montaggio dell'apparecchio	64
03.03	Collegamento idraulico	66
03.04	Alimentazione di tensione e attacchi di comando	67
03.05	Montaggio della griglia	68
04	Messa in funzione e funzionamento	70
04.01	Display e utilizzo	70
04.02	Primo avviamento	71
04.03	Funzionamento e manutenzione	72
04.04	Ricambi	73
04.05	Smontaggio e smaltimento	73

01 Informazioni e indicazioni di sicurezza



Informazioni sulle presenti istruzioni

Prima di avviare le operazioni relative al deumidificatore, leggere interamente e con attenzione le presenti istruzioni. Conservare il presente documento per tutta la durata d'esercizio dell'apparecchio e consegnarlo agli utenti successivi. Per la visione e il download della versione più aggiornata della presente e di altre istruzioni, visitare www.rehau.com/it-it/epaper.



Pericolo di morte dovuto alla presenza di tensione elettrica



Avvertenze di sicurezza



Norma giuridica



Informazione importante



Approfondimenti per es. su internet



Sicurezza

Per evitare incidenti con danni a cose o persone, devono essere rispettate tutte le indicazioni di sicurezza riportate nelle presenti istruzioni.



Il presente documento è rivolto al personale autorizzato e qualificato.

Il prodotto deve essere installato e azionato in stretta conformità alle norme e specifiche rilevanti di questo documento. Il produttore declina ogni responsabilità riguardo a modifiche al prodotto apportate dall'utente. In caso di mancata osservazione delle indicazioni e delle specifiche contenute nelle istruzioni, la garanzia sarà considerata immediatamente decaduta. Qualora fossero rilevate delle anomalie o vi fossero dubbi, è interesse dell'utente rivolgersi immediatamente al produttore.



Attenzione, pericolo di morte!

- L'installazione elettrica può essere effettuata esclusivamente da un elettricista qualificato. L'installazione elettrica deve essere eseguita nel rispetto delle disposizioni nazionali vigenti e in conformità con quanto prescritto dal fornitore locale di elettricità.
- Eventuali interventi o modifiche al dispositivo con utensili possono essere eseguite solo dal personale di assistenza qualificato.
- L'installazione del dispositivo deve essere eseguita da personale qualificato, nel rispetto delle norme di sicurezza in vigore.
- Questo apparecchio non deve essere utilizzato da persone con limitazioni delle capacità fisiche, sensoriali o mentali (inclusi i bambini) né da persone che non siano in possesso della necessaria esperienza e/o conoscenza,
- Assicurarsi che nessun bambino possa giocare con questo prodotto.
- Questo apparecchio è costruito rispettando le più severe norme di sicurezza. Peraltro non si devono introdurre oggetti appuntiti (cacciaviti, aghi o simili) nella griglia o in altre aperture.
- Il deumidificatore deve essere collegato a un'alimentazione elettrica, sufficientemente protetta tramite un interruttore differenziale. Nei pressi dell'apparecchio deve essere presente un sezionatore, per permettere all'utente di operare in condizioni di sicurezza. Utilizzare il dispositivo in modo da escludere qualsiasi pericolo durante la manutenzione (scossa elettrica, ustioni, riaccensione automatica, parti in movimento e comando remoto).
- L'apparecchio deve essere sempre collegato al cavo di messa a terra dell'impianto elettrico. Come per tutti gli apparecchi elettrici, la mancata osservanza delle presenti istruzioni costituisce una fonte di pericoli per la quale il produttore non si assume alcuna responsabilità.
- Questo apparecchio deve essere installato in conformità alle istruzioni di installazione locali del proprio fornitore d'energia.
- Ogni intervento di manutenzione e pulizia sul dispositivo deve essere eseguito dopo aver scollegato la tensione. Non rimuovere o aprire un componente dell'apparecchio senza aver prima scollegato la corrente.



Situazione di montaggio

- L'apparecchio deve essere ubicato in un luogo pulito ed asciutto, protetto da spruzzi e gocciolamenti d'acqua.
- L'apparecchio è stato concepito per impieghi all'interno degli edifici.
- Sincerarsi che la griglia non sia coperta o ostruita: l'apparecchio potrebbe subire danni o causare pericoli.



Pulizia

Pulire regolarmente il filtro, almeno ogni due mesi. In caso di applicazioni in ambienti molto polverosi, la pulizia deve essere più frequente. Nelle parti successive delle presenti istruzioni sono disponibili informazioni sulle procedure di manutenzione e pulizia. Quando il filtro è sporco, l'aria esce più calda del normale, danneggiando l'apparecchio e riducendone la resa.



Dispositivi di protezione individuale

Durante l'azionamento e la manutenzione dell'apparecchio, utilizzare i seguenti dispositivi di protezione individuale.



Il personale che esegue gli interventi di manutenzione o utilizza l'apparecchio dovrebbe indossare scarpe antinfortunistiche antistatiche con soles antiscivolo.



Guanti: durante gli interventi di manutenzione e pulizia è necessario indossare guanti appropriati.



Se si eseguono interventi di pulizia e manutenzione, indossare occhiali di protezione per gli occhi.

Segnaletica di sicurezza

Durante la costruzione e la produzione dell'apparecchio è stato intrapreso ogni sforzo per la riduzione dei rischi.

Il sistema è provvisto dei seguenti contrassegni di sicurezza, da rispettare obbligatoriamente.



Pericoli generali



Pericolo di scosse elettriche

Informazioni generali

Le presenti istruzioni e i documenti in dotazione si propongono di agevolare l'installatore nella corretta installazione e messa in funzione dell'apparecchio, senza mettere in pericolo le persone e arrecare danni al dispositivo. Inoltre si propongono di aiutare il futuro utente nella pulizia corretta e sicura del filtro.

Per tutte le attività relative all'utilizzo e alla manutenzione del dispositivo, si raccomanda di osservare i seguenti punti:

- Le attività possono essere eseguite solo da personale adeguatamente formato, che operi in modo sicuro e utilizzi i dispositivi di protezione individuale adeguati all'operazione specifica.
- Le attività possono essere eseguite solo da personale adeguatamente formato e istruito che abbia letto e compreso le presenti istruzioni, l'Informazione tecnica e le norme di sicurezza.
- Impedire l'accesso all'apparecchio da parte di persone non adeguatamente formate e autorizzate.

Conformità CE

L'apparecchio descritto in queste istruzioni, in combinazione con i prodotti cassero a parete DHU e griglia DHU G-W, in caso di montaggio in stretta conformità alle presenti istruzioni, rispetta i requisiti fondamentali delle seguenti direttive europee:

- Sicurezza elettrica per Direttiva bassa tensione 2014/35/UE,
- Compatibilità elettromagnetica 2014/30/UE,
- Apparecchi a pressione 2014/68/UE,
- Direttiva RoHS 2011/65/UE.

Sono state applicate le seguenti norme armonizzate

- DIN EN 60335-2-40: 2014-01
- DIN EN 60335-1: 2020-08
- DIN EN 55014-1/A11: 2021-03
- DIN EN 55014-2: 2017-03
- DIN EN 378-2: 2018-04
- DIN EN IEC 63000: 2019-05

02 Descrizione del prodotto

02.01 Informazioni generali

Nelle regioni caratterizzate da temperature e umidità elevate, vi è il rischio di formazione di acqua di condensa in corrispondenza delle superfici di raffreddamento di un sistema radiante. Inoltre un'umidità elevata potrebbe avere un impatto negativo sul comfort termico. Pertanto è conveniente ridurre l'umidità nei locali.

Il deumidificatore con griglia DHU W 22 L è stato appositamente sviluppato per l'utilizzo in combinazione con i sistemi di raffreddamento radiante REHAU. Il comando esterno dell'apparecchio è garantito dal sistema di regolazione NEA SMART 2.0.

02.02 Componenti

Questo apparecchio funziona in modalità deumidificazione isoterma. L'aria viene deumidificata, mantenendo la temperatura in entrata e in uscita pressoché identica.

Il deumidificatore è composto da un filtro aria, un circuito frigorifero, un circuito idraulico collegabile al circuito frigorifero del sistema di raffreddamento radiante, un ventilatore e un quadro elettrico.

Il filtro dell'aria permette di ridurre le infiltrazioni di impurità e polvere nella macchina. A tale scopo, pulire regolarmente l'apparecchio e osservare il capitolo 04.03.

Il circuito idraulico, collegabile al circuito del sistema di raffreddamento radiante, è provvisto di due scambiatori di calore alettati percorsi da aria (batteria di pre e post raffreddamento).

Il circuito frigorifero è composto dai componenti di seguito descritti.

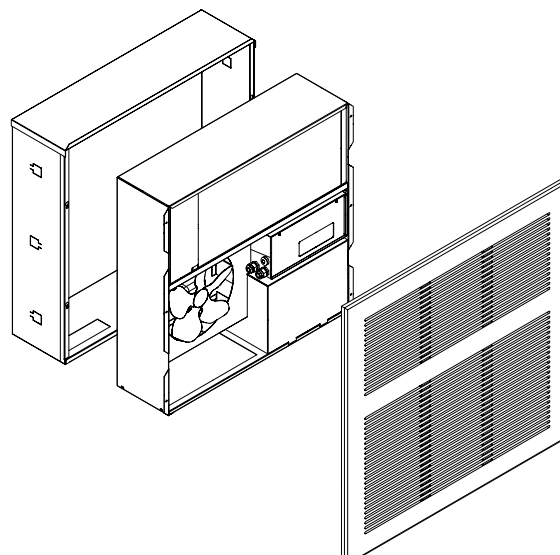
L'evaporatore del circuito frigorifero costituito da uno scambiatore di calore alettato con flusso d'aria, in grado di deumidificare l'aria. L'energia necessaria viene prelevata dall'ambiente circostante. Si tratta della cosiddetta zona fredda.

Il compressore del circuito è costituito da un compressore ermetico per la messa in pressione del refrigerante. Un ulteriore scambiatore di calore alettato con flusso d'aria corrisponde al condensatore del circuito frigorifero. In questo processo il calore è libero. Si tratta della cosiddetta zona calda.

Per ridurre la pressione nel circuito frigorifero si utilizzano capillari.

Un quadro elettrico con microprocessore e display provvede al monitoraggio e al comando della macchina.

Il microprocessore comanda le fasi di sbrinamento e i processi di accensione e spegnimento del compressore e del ventilatore.

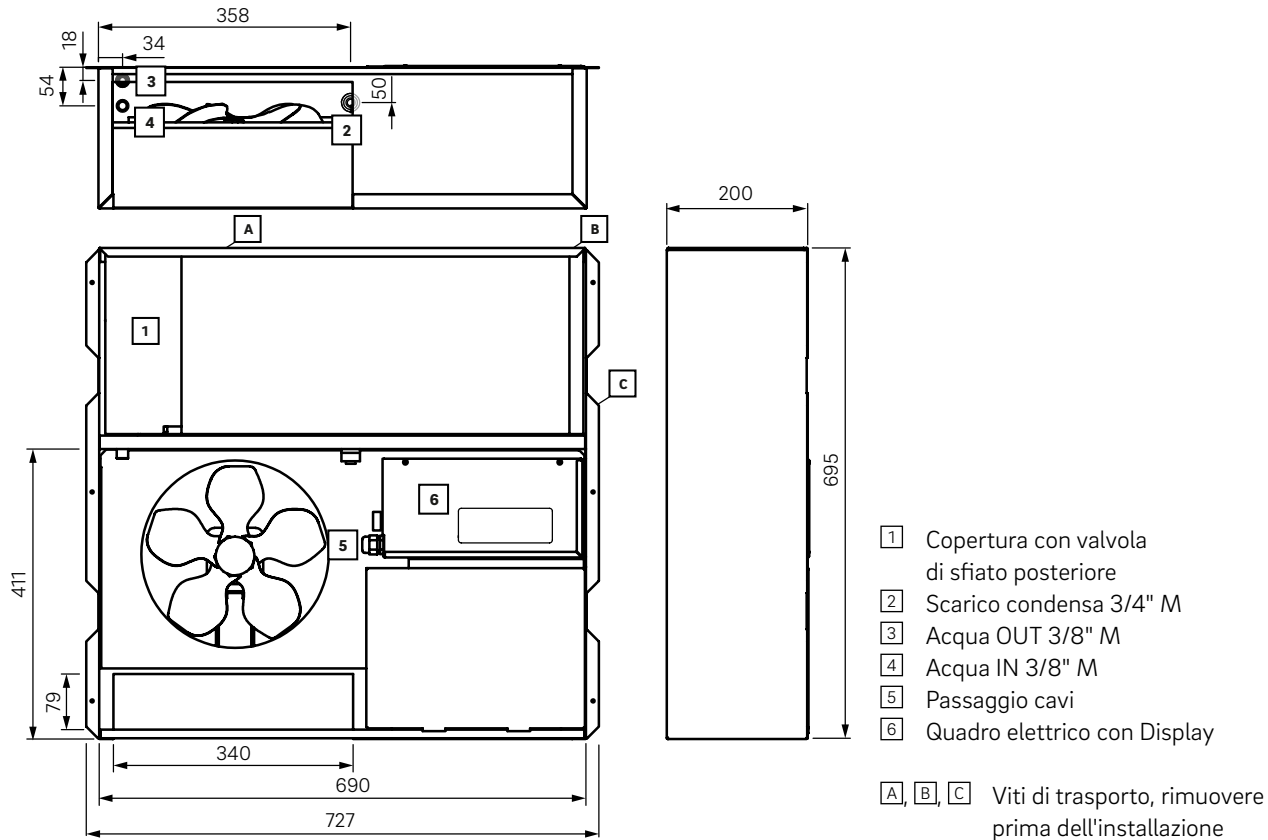


02.03 Dati tecnici

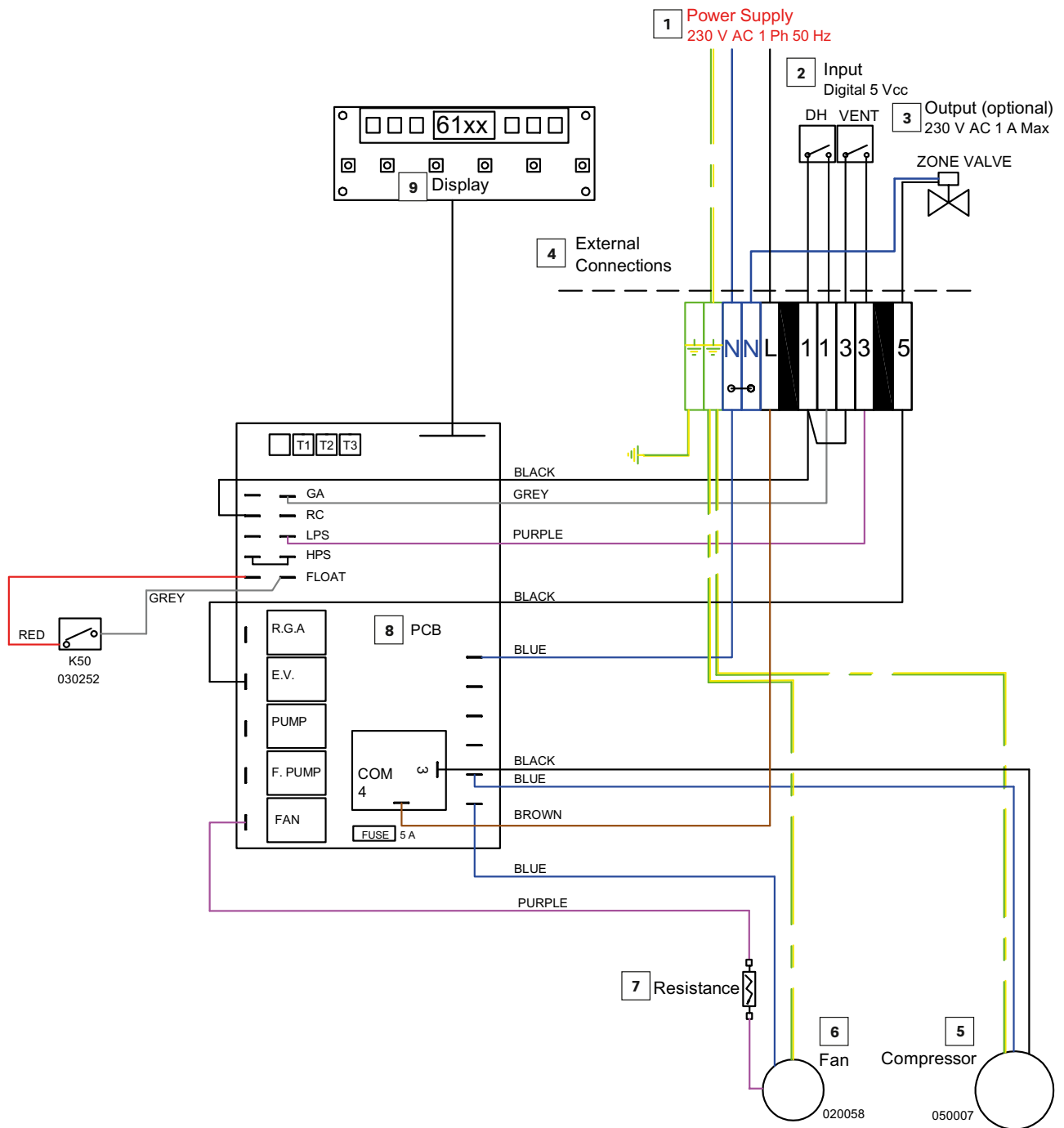
Alimentazione elettrica.	230 V AC, 50 Hz
Potenza elettrica ¹⁾	410 W
Massima corrente assorbita	3,5 A
Corrente di spunto (LRA)	20,0 A
Portata d'aria (con filtro pulito)	190 m ³ /h
Refrigerante R134a	400 g
Campo di funzionamento (temperatura)	10 – 32 °C
Campo di funzionamento (umidità relativa)	45 – 98 %
Resa di deumidificazione ^{1), 2)}	22 l/d
Potenza lato acqua ¹⁾	1130 W
Portata acqua	180 l/h
Perdita di carico nel circuito idraulico a 180 l/h	14 kPa
Dimensioni (L x H x P)	727 mm x 695 mm x 200 mm
Peso con circuito idraulico riempito	35,1 kg

¹⁾ Aria: 25 °C, 65 % u.r. / Acqua: 16 °C, 180 l/h

²⁾ Resa di deumidificazione in conformità a DIN EN 810 e DIN EN 1397



02.04 Schema elettrico



- 1 Alimentazione di tensione e corrente
- 2 Segnali in ingresso (Digital 5 Vcc)
 - Igrostato DH - avvia la deumidificazione
 - VENT avvia la ventilazione
- 3 Segnale in uscita (opzionale, 230 V AC 1 A Max)
ZONE VALVE Attuatore del circuito idraulico
- 4 Attacchi a cura del committente

- 5 Compressore
- 6 Ventilatore
- 7 Resistenza elettrica
- 8 Circuito stampato
- 9 Display

03 Istruzioni di montaggio



Il montaggio deve essere eseguito da personale qualificato.

03.01 Imballaggio e fornitura

Rimuovere l'imballaggio con cautela e fare attenzione a non danneggiare l'apparecchio.



Prima di avviare le operazioni relative al prodotto, leggere interamente e con attenzione le presenti istruzioni di montaggio. Conservare le istruzioni di montaggio per tutta la durata d'esercizio dell'apparecchio e consegnarle agli utenti successivi.

Tenere il materiale di imballaggio fuori dalla portata di bambini e animali per evitare situazioni pericolose.



Rimuovere i prodotti di imballaggio (legno, plastica, cartone o polistirolo e styropor) presso centri di raccolta specializzati o centri di riciclaggio, in base alle normative locali.



Tutti i componenti dell'apparecchio sono montati e verificati in fabbrica. Al ricevimento del prodotto, verificare che esso non sia stato danneggiato durante il trasporto e non vi siano componenti mancanti. Per il montaggio e l'utilizzo del presente deumidificatore sono necessari altri due prodotti:

- Controcassa a parete REHAU DHU, con installazione a parete
- Griglia REHAU DHU G-W con filtro integrato presso l'ingresso dell'aria



La conformità CE è valida esclusivamente in caso di utilizzo del deumidificatore in combinazione con i relativi prodotti Cassero a parete DHU e griglia DHU G-W e in caso di montaggio in stretta conformità a queste istruzioni.

03.02 Montaggio dell'apparecchio

Il prodotto è installato nel muro. In primo luogo, la controcassa a parete viene installata in un'apertura nella parete.



Prima di iniziare le operazioni, considerare la disponibilità delle linee idrauliche ed elettriche e la posizione corretta.

Successivamente, nella controcassa a parete viene montato e collegato il deumidificatore. L'apparecchio viene coperto con la griglia, fissata alla parete con una vite.



Istruzioni per il montaggio:

- Montare l'apparecchio in un luogo pulito e asciutto, al riparo da spruzzi e gocciolamenti d'acqua.
- L'apparecchio è stato concepito per impieghi all'interno degli edifici.



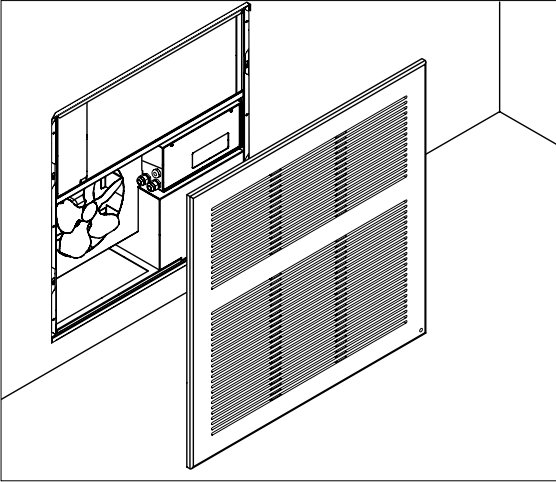
Verificare che controcassa a parete e il deumidificatore siano installati in modo corretto e stabile.

Aspetti da tenere in considerazione:

- Peso del deumidificatore
- Materiale, condizioni e spessore del muro
- Eventuali vibrazioni del deumidificatore



- Fare attenzione al peso, nonché agli angoli e agli spigoli vivi dell'apparecchio e indossare indumenti di protezione adatti.
- A causa del peso, il montaggio dovrebbe essere eseguito da almeno due persone.



Creazione dell'apertura nella parete

L'apertura deve presentare dimensioni adatte alla grandezza della controcassa a parete. Praticare l'apertura in modo che i bordi esterni della controcassa a parete risultino a filo. A questo proposito, consultare la seguente illustrazione.



Durante la creazione dell'apertura nella parete, rispettare la posizione prescritta per gli allacciamenti elettrici e idraulici nella parete nell'area illustrata.



Osservare l'altezza di installazione della controcassa a parete. Per l'installazione, osservare una distanza minima di 7 cm dal bordo superiore del pavimento, così da permettere il montaggio della griglia.

Installazione della controcassa a parete DHU

Installare la controcassa a parete in base alla parete presente.

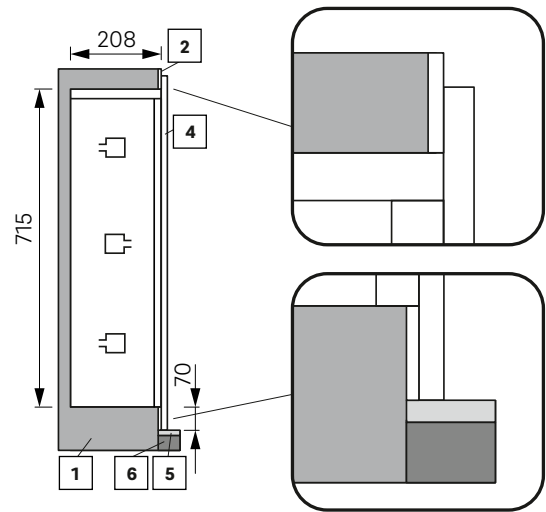
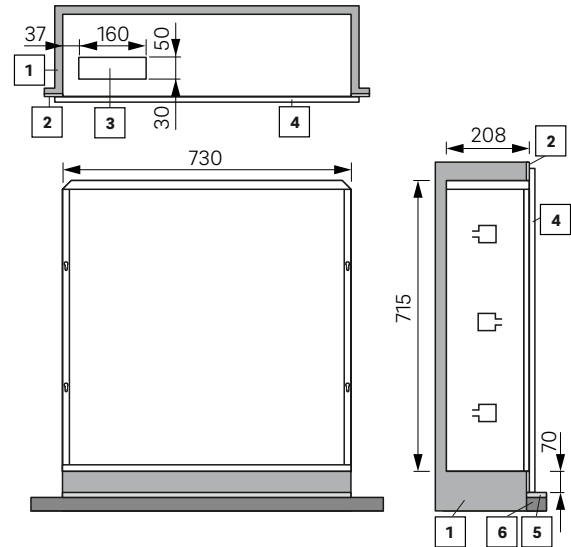
Nel caso di pareti spesse, la controcassa a parete può essere murata. La controcassa in acciaio zincato sulla parte posteriore e le zanche laterali a parete favoriscono un aggrappaggio efficace della malta.

Nel caso del cartongesso, verificare che sia presente una struttura di supporto di dimensioni adeguate, adatta al peso complessivo e al funzionamento del deumidificatore. La controcassa a parete deve essere montata saldamente.

La controcassa a parete deve essere installata in modo che il bordo inferiore si trovi a un'altezza di almeno 7 cm dal pavimento. Qualora la griglia si trovi sopra un battiscopa, aggiungere alla distanza minima di 7 cm l'altezza del battiscopa.



Rimuovere il rinforzo trasversale solo quando la malta è asciugata e la controcassa a parete è stata installata saldamente.



- 1 Parete
- 2 Intonaco
- 3 Apertura sul lato inferiore per il passaggio di linee idrauliche ed elettriche
- 4 Griglia
- 5 Rivestimento pavimento
- 6 Massetto

Inserimento del deumidificatore

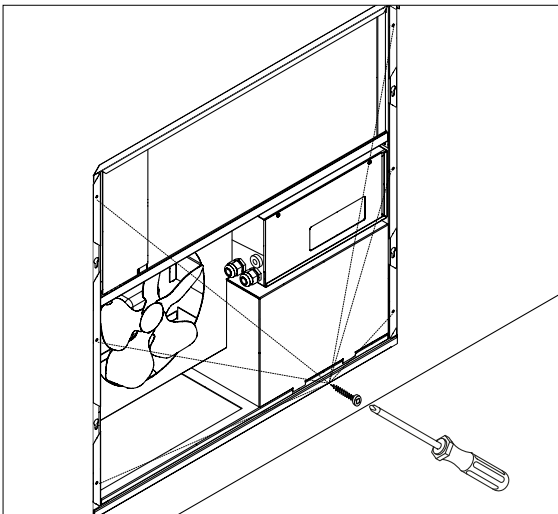


Rimuovere le viti di trasporto contrassegnate con le lettere A, B e C, situate sul lato superiore e sul lato destro dell'apparecchio.



Verificare che l'apparecchio possa essere inserito nel cassero a parete solo una volta che la malta è completamente asciugata e la controcassa a parete è fissata saldamente.

Prima di inserire il deumidificatore nella controcassa a parete, rimuovere il rinforzo trasversale. Una volta inserito correttamente nella controcassa a parete, l'apparecchio viene fissato al con le apposite viti.



03.03 Collegamento idraulico

	Dimensione tubi	Collegamento
Circuito frigorifero (IN/OUT)	$d_{in} \geq 16 \text{ mm}$	3/8" M
Condensa	$d_{in} \geq 16 \text{ mm}$	3/4" M

Circuito idraulico



Si consiglia di prevedere un filtro acqua in ingresso al deumidificatore per proteggere i circuiti idraulici dell'apparecchio.

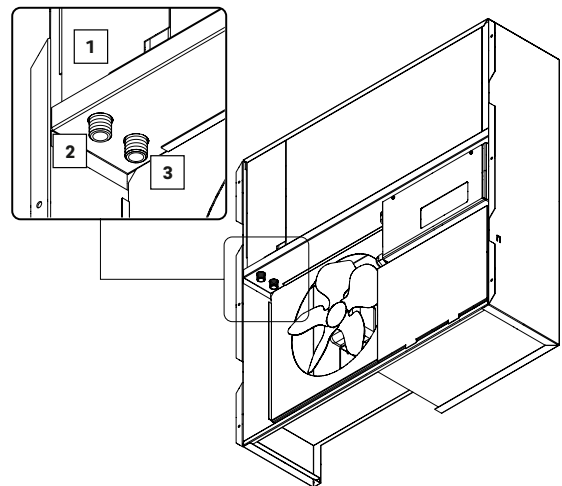
Per i collegamenti idraulici al deumidificatore (tubi di mandata e ritorno) utilizzare RAUTHERM-S o RAUTITAN e rispettare le normative locali vigenti.

Per l'attacco corretto al collettore del sistema di riscaldamento radiante e per l'impostazione della portata corretta, osservare le relative istruzioni di montaggio e le norme locali vigenti. Per il deumidificatore in oggetto, la portata nominale del circuito idraulico è pari a 180 l/h.

Utilizzare una tecnologia di collegamento e un materiale di tenuta adeguati, per evitare la fuoriuscita incontrollata dell'acqua.

Sfiatare con cura il circuito idraulico tramite l'apposita valvola sull'apparecchio. La valvola si trova sotto il coperchio indicato, allentabile tramite le due viti.

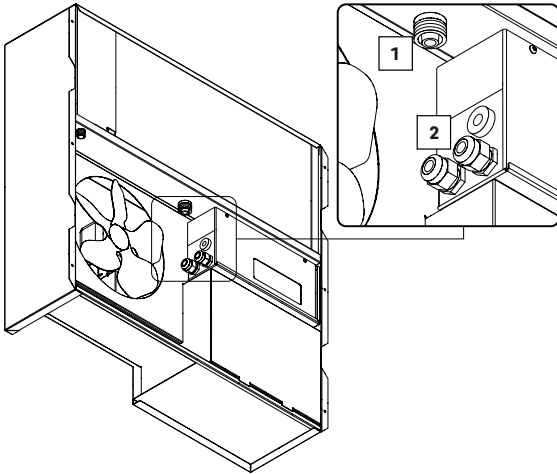
Isolare i collegamenti in metallo per evitare la formazione di condensa.



- 1 Copertura con valvola di sfiato posteriore
- 2 Acqua OUT 3/8" M
- 3 Acqua IN 3/8" M

Scarico della condensa

Per evitare la formazione di cattivi odori dovuti alle acque di scarico è importante prevedere di collegare lo scarico della condensa con un sifone. Per facilitare la pulizia, montare il sifone in un punto accessibile.



- 1 Scarico condensa 3/4" M
2 Passaggio cavi

03.04 Alimentazione di tensione e attacchi di comando

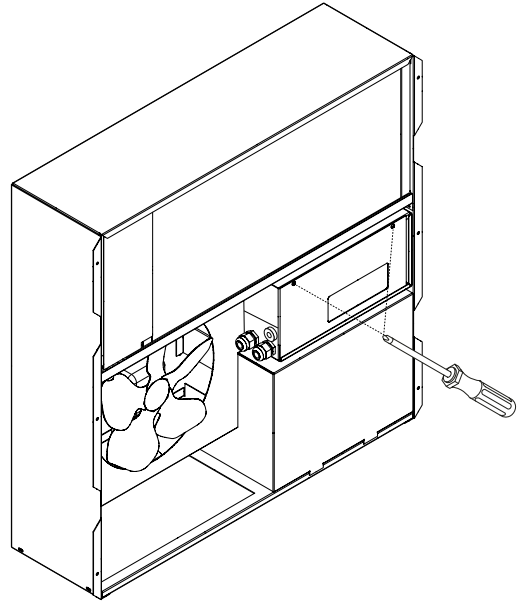
	Dimensioni	Collegamento
Alimentazione di tensione	almeno 1,5 mm ² , rigido	Morsetto



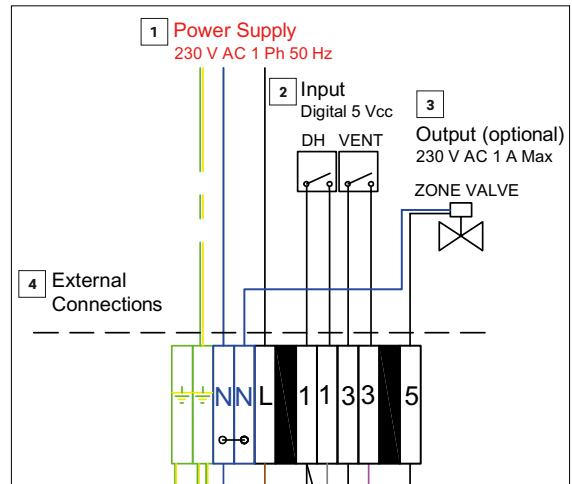
Attenzione, pericolo di morte!

- L'installazione elettrica può essere effettuata esclusivamente da un elettricista qualificato. L'installazione elettrica deve essere eseguita nel rispetto delle disposizioni nazionali vigenti e in conformità con quanto prescritto dal fornitore locale di elettricità.
- Prima di qualsiasi operazione con i componenti elettrici, verificare che l'alimentazione di tensione sia scollegata.
- Proteggere l'alimentazione principale con un interruttore differenziale.
- Nei pressi dell'apparecchio deve essere presente un sezionatore elettrico per scollegare l'alimentazione prima di ogni intervento di manutenzione e pulizia.
- Assicurarsi che le disposizioni relative agli impianti e al materiale elettrico siano state rispettate in ogni loro parte.
- Verificare che la tensione di alimentazione coincida con i dati nominali dell'apparecchio (tensione, frequenza) riportati sulla targhetta.
- La messa a terra è obbligatoria e, in fase di installazione, deve avere la priorità assoluta nel collegamento.

Allentare le due viti della scatola elettronica e rimuovere con cautela il coperchio con il display.



Collegare la tensione di alimentazione (230 V, AC, monofase, 50 Hz) ai morsetti fase L, Neutro N e protezione di terra PE del dispositivo, come indicato nell'illustrazione.



- 1 Alimentazione di tensione e corrente
2 Segnali in ingresso (Digital 5 Vcc)
▪ Igrostato DH - avvia la deumidificazione
▪ VENT avvia la ventilazione
3 Segnale in uscita (opzionale, 230 V AC 1 A Max)
ZONE VALVE Attuatore del circuito idraulico
4 Attacchi a cura del committente

Per gli ingressi di comando del dispositivo sono previsti contatti privi di potenziale. Collegare i cavi corrispondenti al morsetto, come rappresentato nell'illustrazione. Vi sono due tipi di segnali in ingresso:

- DH: richiesta deumidificazione
- VENT: richiesta funzionamento continuo del ventilatore

Per il comando del deumidificatore, è possibile utilizzare il sistema di regolazione REHAU NEA SMART 2.0. Per una corretta installazione ed utilizzo attenersi alla relativa Informazione tecnica e osservare le norme locali.

Laddove necessario, in corrispondenza dei morsetti del segnale in uscita ZONE VALVE, è possibile collegare l'attuatore REHAU UNI 230 V, assegnato al circuito idraulico del deumidificatore. In caso di utilizzo di un attuatore a cura del committente, verificare che i dati nominali dell'attuatore siano conformi al segnale in uscita 230 V AC 1 A Max del deumidificatore.



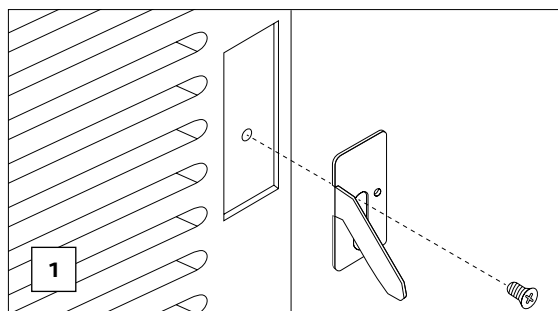
Per l'alimentazione di tensione, i segnali in entrata e il segnale in uscita, utilizzare cavi separati e i pressacavi montati di fabbrica, previsti per l'apparecchio. Qualora siano necessari tre pressacavi a questo scopo, il committente è tenuto a montare un pressacavi supplementare al posto del passacavi. I pressacavi montati di fabbrica sono indicati per cavi con diametro esterno di 6 – 12 mm.

Prima di utilizzare il dispositivo, richiudere correttamente quadro elettrico.

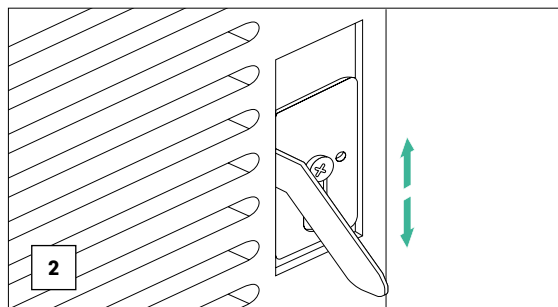
03.05 Montaggio della griglia

Preparazione della griglia

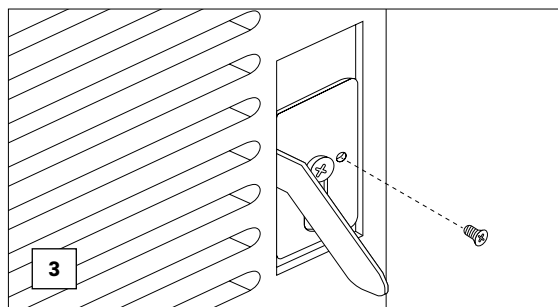
Per il fissaggio dei quattro supporti sul retro della griglia, attenersi ai seguenti passaggi:



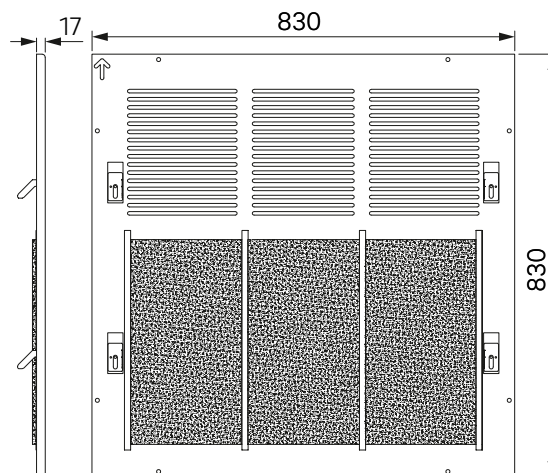
1 Posizionare il supporto nell'apposita cavità sul retro della griglia e avvitare con una vite filettata. Verificare che la piega del supporto sia orientata verso l'interno e i ganci verso l'esterno.



2 Impostare la corretta posizione del supporto.

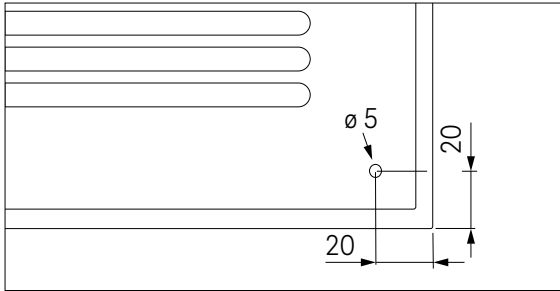


3 Fissare il supporto con la vite per legno.

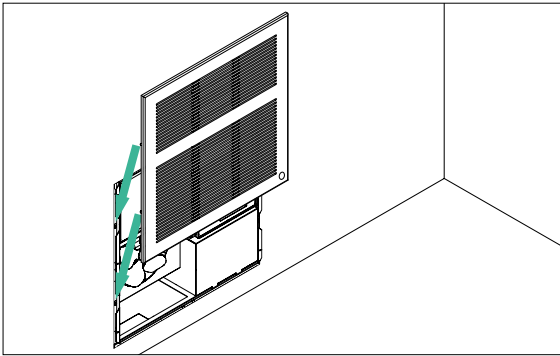


Vista laterale e posteriore della griglia

Per poter fissare la griglia con una vite alla parete, praticare un foro sull'angolo inferiore della griglia con una punta per legno adeguata. Osservare il diametro e la posizione della punta in base alla seguente figura.



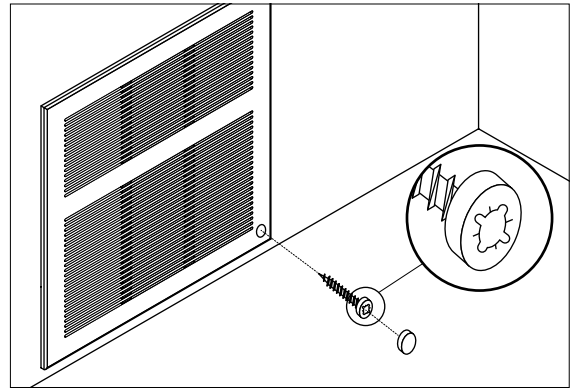
Preparazione della parete



Posizionare la griglia sulla controcassa a parete e contrassegnare il punto da forare sulla parete.

Estrarre nuovamente la griglia e praticare un foro con una punta adatta alla parete e alla vite in dotazione. Utilizzare quindi un tassello indicato per la parete.

Posizionamento della griglia DHU W-G



Una volta che l'apparecchio è stato collegato correttamente, è possibile montare la griglia. Applicarla nuovamente e avvitare con l'apposita vite. A questo punto è possibile coprire le viti con il cappuccio di copertura in dotazione.



Il presente deumidificatore può essere utilizzato se la piastra di copertura è correttamente fissata con la vite in dotazione.



Trattare la griglia con cautela per evitare danni e scheggiature.



La griglia bianca non è indicata per essere verniciata.



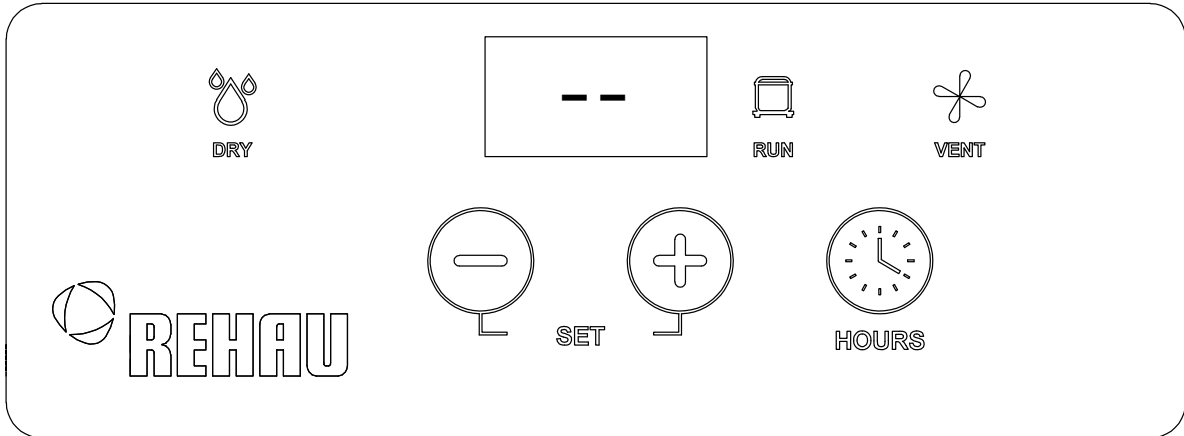
È possibile montare la griglia sulla controcassa a parete installata, indipendentemente dalla presenza del deumidificatore.



Osservare il corretto allineamento della griglia. La porzione della griglia con il filtro aria sul retro deve essere collocata sulla parte inferiore del deumidificatore, ossia davanti al ventilatore. Pulire regolarmente il filtro della griglia. A tale proposito, consultare il capitolo 04.03.

04 Messa in funzione e funzionamento

04.01 Display e utilizzo



Indicazioni



Alimentazione di corrente collegata

Se è presente corrente, sul display appariranno due righe blu. In assenza di richieste, il dispositivo si trova in modalità STAND BY.



Deumidificazione attiva

Questo LED arancione segnala che la deumidificazione è attiva. Se il simbolo non si illumina, la deumidificazione non è richiesta in quel momento.



Ventilazione continua attiva

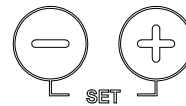
Questo LED arancione si illumina se la richiesta della ventilazione continua è attiva. Diversamente, non sono presenti richieste.



Il compressore è attivo

Se questo LED verde rimane acceso, il compressore è in funzione. Se questo LED lampeggia, il compressore è in modalità Pausa. Tale modalità è attiva durante la fase di accensione e durante la fase di sbrinamento automatica controllata dal microprocessore.

Tasti



Tasti per impostazione

Questi tasti sono necessari solo per la configurazione, ma non sono rilevanti per l'azionamento o la manutenzione regolare.



HOURS

Premendo il tasto, è possibile visualizzare le ore di funzionamento del compressore.

04.02 Primo avviamento

Prima di alimentare per la prima volta il deumidificatore tramite l'accensione del sezionatore elettrico, verificare i seguenti punti:

- Sono state rispettate le istruzioni di sicurezza e le norme locali?
- La controcassa a parete, il deumidificatore e la griglia sono montati correttamente e in stretta conformità alle presenti istruzioni?
- La griglia con la vite in dotazione è fissata alla parete?
- I collegamenti idraulici ed elettrici sono stati realizzati in base alle indicazioni fornite nelle istruzioni e in conformità con le normative locali?
- I collegamenti idraulici ed elettrici sono stati eseguiti a regola d'arte?
- I collegamenti idraulici del circuito idraulico e dello scarico della condensa sono isolati a regola d'arte?
- Il circuito dell'acqua è stato riempito e svuotato?
- La messa a terra del deumidificatore è stata eseguita correttamente?
- La tensione di alimentazione è conforme al valore riportato nelle caratteristiche tecniche?
La tensione di alimentazione deve corrispondere ai dati sulla targhetta, con una tolleranza di $\pm 10\%$.
- Le piastre di copertura si trovano in posizione corretta e sono fissate a sufficienza con le relative viti di fissaggio?
- Il coperchio della scatola elettrica è inserito correttamente e fissato con le relative viti?



Una volta montato correttamente, è possibile eseguire il primo avviamento dell'apparecchio dopo almeno 2 ore.



Se il circuito idraulico non è riempito o sfiatato correttamente o se l'alimentazione nel campo di temperatura previsto non è sufficiente, il funzionamento dell'apparecchio potrebbe essere compromesso.

Appena l'apparecchio riceve l'alimentazione, si attiverà la modalità STAND BY e sul display appariranno due righe blu.

Ora è possibile impostare i segnali in entrata del deumidificatore tramite il sistema di regolazione NEA SMART 2.0.

Una volta che il segnale in entrata è stato impostato, il ventilatore si avvierà direttamente.

Nel segnale in entrata deumidificazione (DH), in aggiunta si attiverà anche il segnale in uscita ZONE VALVE e il compressore si avvierà con un ritardo temporale.

Per il corretto cablaggio e configurazione del sistema di regolazione NEA SMART 2.0, consultare la relativa Informazione tecnica.

04.03 Funzionamento e manutenzione



Durante il funzionamento deve essere presente un'alimentazione idrica sufficiente nel campo di temperatura previsto.



Durante il funzionamento non è possibile spostare, coprire o chiudere la griglia. In questo modo il flusso d'aria è sempre garantito.



Prima dell'inizio degli interventi di manutenzione, scollegare il deumidificatore dalla corrente. La manutenzione può essere eseguita esclusivamente da personale istruito e formato.

La manutenzione regolare dell'apparecchio consiste nella pulizia del filtro aria, alloggiato nella parte inferiore sul retro della griglia.

La pulizia deve essere eseguita in condizioni normali ogni due mesi. Negli ambienti polverosi o in caso di utilizzo intensivo dell'apparecchio, potrebbe essere necessario eseguire interventi di manutenzione con una frequenza maggiore.



Garantire sempre un accesso alla griglia e al filtro per consentire lo svolgimento degli interventi di manutenzione.

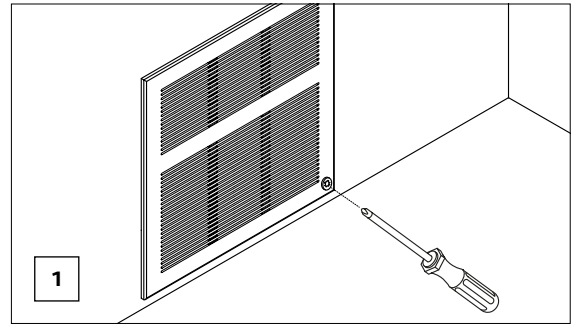


Controllare regolarmente le condizioni e il funzionamento dei fissaggi del cassero a parete, del deumidificatore e della griglia installata sulla struttura dell'edificio o sugli elementi di supporto.

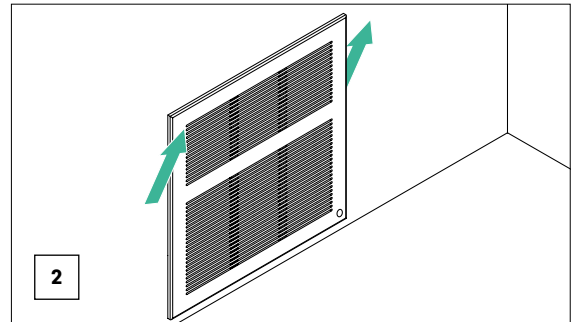


Verificare regolarmente che il sifone non sia ostruito e la condensa possa defluire.

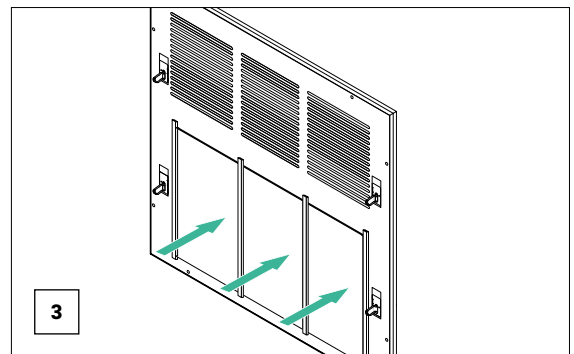
Fasi della pulizia



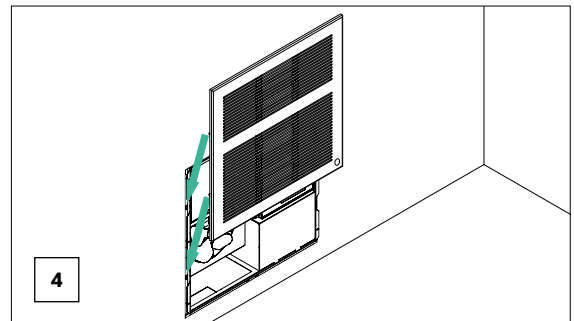
1 Rimuovere con cautela il cappuccio per le viti della griglia e allentare le viti.



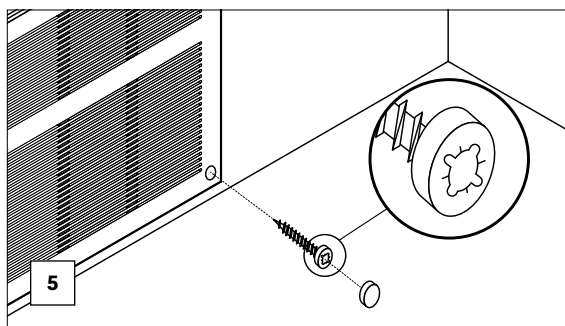
2 Rimuovere la griglia dalla parete con un movimento obliquo verso l'alto.



3 Pulire il filtro aria invertendo la direzione del flusso d'aria rispetto a quello tradizionale.



4 Una volta che il filtro aria è stato pulito, la griglia può essere riposizionata sul cassero a parete.



5 Quindi la griglia può essere fissata nuovamente con la vite alla parete e la vite può essere coperta nuovamente con il cappuccio.



Rimettere in funzione il deumidificatore solo dopo che la griglia con il filtro è stata reinstallata in modo fisso e corretto.

04.04 Ricambi

Si consiglia l'utilizzo di parti di ricambio originali. In caso di necessità, rivolgersi al proprio referente REHAU.

04.05 Smontaggio e smaltimento

L'apparecchio è concepito e costruito per il funzionamento continuo. La durata di alcuni componenti essenziali, come il ventilatore e il compressore, dipende dalla manutenzione a cui sono sottoposti.



Sbloccare l'apparecchio prima dello smontaggio.



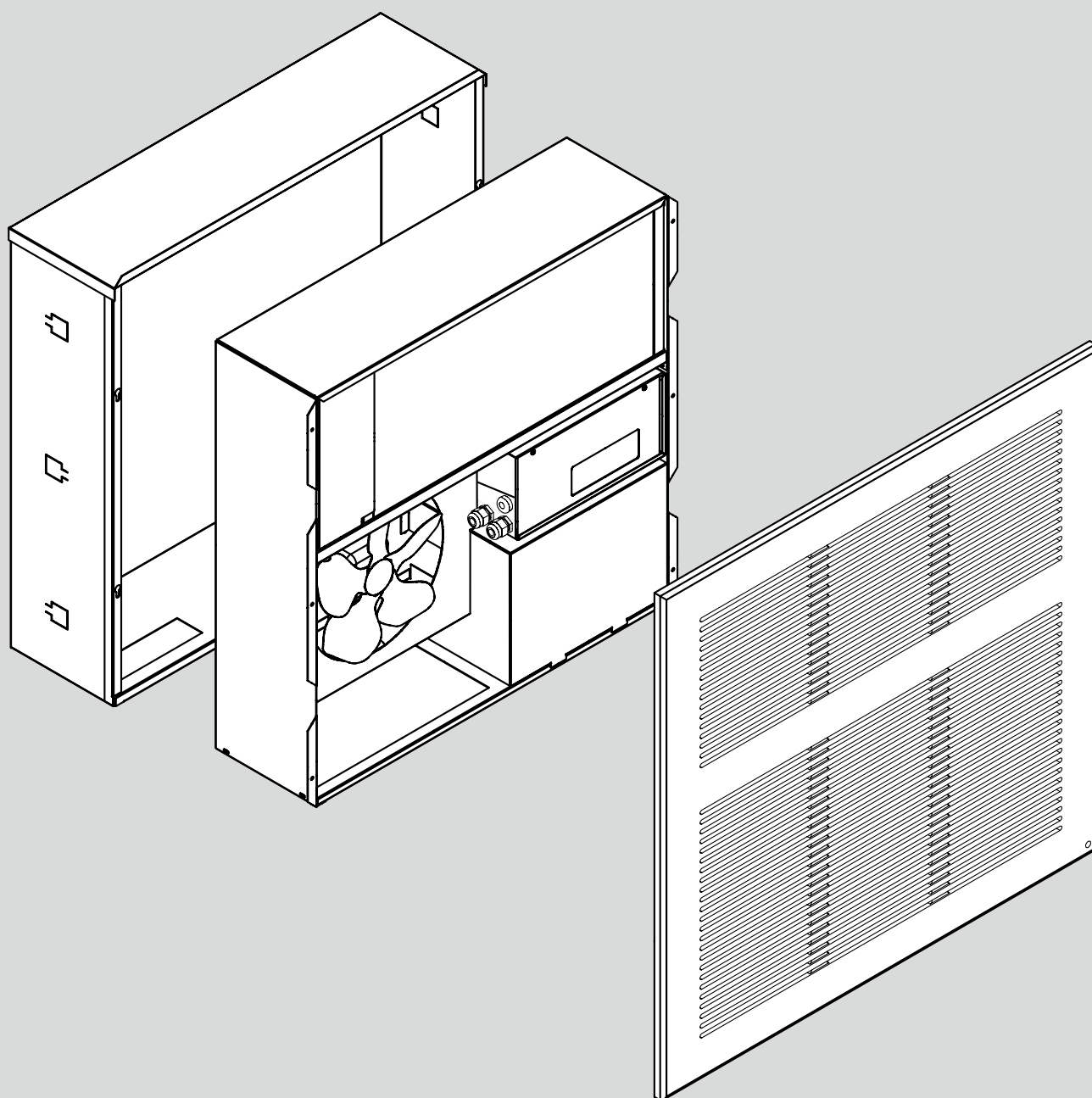
Accertarsi che nel sistema vi sia acqua sufficiente.



Lo smontaggio può essere eseguito esclusivamente da personale tecnico con dispositivi di protezione adeguati. A causa del peso dell'apparecchio, lo smontaggio dovrebbe essere eseguito da almeno due persone.

Per evitare danni o lesioni durante il successivo trasporto, l'apparecchio deve essere provvisto di un materiale di imballaggio adeguato e di una protezione sufficiente per il trasporto.

L'apparecchio contiene sostanze e componenti dannosi per l'ambiente (componenti elettronici, refrigerante e oli). Qualora, al termine della durata d'utilizzo, l'apparecchio debba essere smontato, la procedura potrà essere eseguita solo da personale qualificato. Conferire l'apparecchio ad aziende specializzate nella raccolta e nello smaltimento di prodotti contenenti sostanze pericolose. Il refrigerante R134a, contenuto nel circuito frigorifero, e l'olio lubrificante devono essere recuperati in conformità alle norme valide nel proprio paese.



Desumidificador DHU W 22 L

Instruções para montagem, colocação em funcionamento e manutenção

Índice

01	Informações e avisos de segurança	77
02	Descrição do produto	79
02.01	Considerações gerais	79
02.02	Componentes	79
02.03	Dados técnicos	80
02.04	Ligação elétrica	81
03	Instruções de montagem	82
03.01	Embalagem e material fornecido	82
03.02	Montagem do dispositivo	82
03.03	Ligações do lado da água	84
03.04	Fonte de alimentação e ligação de controlo	85
03.05	Montagem da grelha de cobertura	86
04	Colocação em funcionamento e operação	88
04.01	Display e controlo	88
04.02	Primeira colocação em funcionamento	89
04.03	Operação e manutenção	90
04.04	Peças sobressalentes	91
04.05	Desmontagem e eliminação	91

01 Informações e avisos de segurança



Sobre estas instruções

Leia estas instruções cuidadosa e completamente, antes de começar a trabalhar com o desumidificador. Guarde este documento durante toda a vida útil do dispositivo e entregue-o aos utilizadores subsequentes. Para visualizar e transferir a versão atual destas e de outras instruções, visite

www.rehau.com/TI.



Perigo de morte devido a tensão elétrica



Avisos de segurança



Aviso legal



Informações importantes



Informações adicionais disponíveis, por exemplo, na Internet



Segurança

Para evitar acidentes como lesões pessoais e danos materiais, todos os avisos de segurança nestas instruções devem ser cumpridos.



Este documento foi concebido para pessoal autorizado e qualificado.

O produto deve ser instalado e manuseado estritamente de acordo com as informações e especificações relevantes indicadas neste documento.

O fabricante não assume nenhuma responsabilidade por alterações feitas no produto pelo utilizador.

O não cumprimento das regras e especificações contidas nestas instruções levará ao anulamento imediato da garantia. É do seu interesse entrar em contacto com o fabricante imediatamente, caso sejam descobertas discrepâncias ou se houver alguma incerteza.



Cuidado, perigo de vida!

- A instalação elétrica só pode ser realizada por um eletricista qualificado. A instalação elétrica deve ser realizada de acordo com os regulamentos nacionais aplicáveis e os regulamentos do seu fornecedor local de eletricidade.
- Trabalhos ou alterações no dispositivo com ferramentas só podem ser realizados por pessoal de serviço qualificado.
- A instalação do dispositivo deve ser realizada por pessoal qualificado e de acordo com as normas de segurança aplicáveis.
- Nenhuma pessoa (incluindo crianças) com capacidades físicas, sensoriais ou mentais limitadas, ou com falta de experiência ou conhecimento, deve usar ou trabalhar com este produto.
- Certifique-se de que nenhuma criança brinque com este produto.
- Este dispositivo foi concebido e fabricado de acordo com as mais rigorosas normas de segurança. No entanto, não podem ser inseridos objetos pontiagudos (chaves de fenda, agulhas ou semelhantes) nas grades ou outras aberturas do dispositivo.
- O desumidificador deve ser conectado a uma fonte de alimentação devidamente protegida por um disjuntor diferencial residual. Deve estar disponível um dispositivo de isolamento elétrico próximo do dispositivo, para que o utilizador possa intervir em condições seguras. Este equipamento deve ser sempre usado, para evitar perigos durante a manutenção (choque elétrico, queimaduras, novo arranque automático, partes móveis e controlo remoto).
- O dispositivo deve estar sempre ligado ao cabo de ligação à terra do sistema elétrico. Como acontece com todos os dispositivos elétricos, a não conformidade com este regulamento é uma causa de perigo, pela qual o fabricante não assume qualquer responsabilidade.
- O dispositivo deve ser instalado de acordo com os regulamentos de instalação locais do fornecedor de energia.
- Todos os trabalhos de manutenção e limpeza no aparelho devem ser realizados com a corrente elétrica desligada. Nunca remova ou abra qualquer parte do dispositivo sem primeiro desligar a fonte de alimentação.



Situação de instalação

- O dispositivo deve ser instalado num local limpo e seco, protegido de salpicos e gotas de água.
- Este dispositivo deve ser usado em ambientes internos de edifícios.
- Certifique-se de que a grelha de cobertura não está coberta ou bloqueada: Caso contrário, o dispositivo pode ser danificado e causar perigo.



Limpeza

Limpe o filtro regularmente: A limpeza deve ser feita, no mínimo, a cada dois meses. Se usado em ambientes muito empoeirados, a limpeza deve ser feita com mais frequência. Poderá encontrar informações sobre procedimentos de manutenção e limpeza incluídas nestas instruções.

Se o filtro estiver sujo, o ar sairá mais quente do que o normal, o que poderá danificar o dispositivo e reduzir a acumulação de condensação.



Equipamento de proteção individual

Use o seguinte equipamento de proteção pessoal durante a operação e a manutenção do dispositivo:



Pessoas que realizam trabalhos de manutenção ou trabalham com o dispositivo devem usar calçado de segurança antiestático com sola antiderrapante.



Luvas: É necessário o uso de luvas adequadas para os trabalhos de limpeza e manutenção.



Durante os trabalhos de limpeza e manutenção, deve proteger os olhos com óculos de proteção.

Sinal de segurança

Foram feitos todos os esforços na conceção e fabrico do dispositivo, para eliminar quaisquer riscos.

O sistema é fornecido com os seguintes sinais de segurança, que devem ser observados:



Perigos gerais



Perigo de choque elétrico

Considerações gerais

Estas instruções e os documentos fornecidos têm como objetivo permitir ao instalador instalar e colocar em funcionamento corretamente o dispositivo, sem colocar pessoas em perigo ou causar danos ao mesmo. Também permitem que o futuro utilizador limpe o filtro de forma segura e correta.

Sugerimos que cumpra o seguinte para todas as atividades relacionadas com a operação e a manutenção do dispositivo:

- As atividades devem ser realizadas apenas por pessoas devidamente qualificadas que utilizem procedimentos de trabalho seguros e usem o equipamento de proteção individual adequado para a tarefa em questão.
- As atividades só podem ser realizadas por pessoas devidamente instruídas e com formação que tenham lido e compreendido estas instruções, as informações técnicas e os avisos de segurança.
- O acesso ao dispositivo deve ser impedido a pessoas que não tenham a devida formação e qualificação.

Conformidade CE

Em combinação com os produtos caixa de parede DHU e grelha de cobertura DHU G-W, e quando instalado em estrita conformidade com estas instruções, o dispositivo descrito nestas instruções cumpre as exigências básicas das seguintes diretivas europeias:

- Diretiva Baixa tensão 2014/35/UE,
- Diretiva Compatibilidade eletromagnética 2014/30/UE,
- Diretiva Equipamento sob pressão 2014/68/UE,
- Diretiva RoHS 2011/65/UE.

Foram aplicadas as seguintes normas harmonizadas

- DIN EN 60335-2-40: 2014-01
- DIN EN 60335-1: 2020-08
- DIN EN 55014-1/A11: 2021-03
- DIN EN 55014-2: 2017-03
- DIN EN 378-2: 2018-04
- DIN EN IEC 63000: 2019-05

02 Descrição do produto

02.01 Considerações gerais

Em regiões com altas temperaturas e humidade elevada, existe o risco de formação de condensação de água nas superfícies de arrefecimento de um sistema de superfícies radiantes. Para além disso, a humidade excessiva pode ter efeitos negativos no conforto térmico. Por estes motivos, faz sentido reduzir a humidade nas divisões.

O desumidificador DHU W-C 22 L foi desenvolvido especialmente para ser usado em combinação com os sistemas de superfícies radiantes REHAU. O dispositivo é controlado externamente com o sistema de controlo REHAU NEA SMART 2.0.

02.02 Componentes

O tipo de operação deste dispositivo é a desumidificação. O ar é desumidificado, permanecendo a temperatura na entrada e na saída quase a mesma.

O desumidificador consiste num filtro de ar, um circuito de refrigerante, um circuito de água que pode ser conectado ao circuito de arrefecimento do sistema de superfícies radiantes, um ventilador e uma unidade eletrónica.

O filtro de ar garante que a entrada de sujidade e poeira na máquina é reduzida. Ele precisa de ser limpo regularmente. Para esse efeito, consulte o capítulo 04.03.

O circuito de água, que pode ser conectado a um circuito hidráulico do sistema de arrefecimento de superfícies radiantes, possui dois permutadores de calor de lamelas por onde flui o ar, o pré-arrefecedor e o pós-arrefecedor.

O circuito de arrefecimento consiste nos seguintes componentes:

Um permutador de calor de lamelas por onde flui o ar, através do qual o ar é desumidificado, é o evaporador do circuito de refrigerante. A energia necessária é retirada do ambiente. Esta é a chamada área fria.

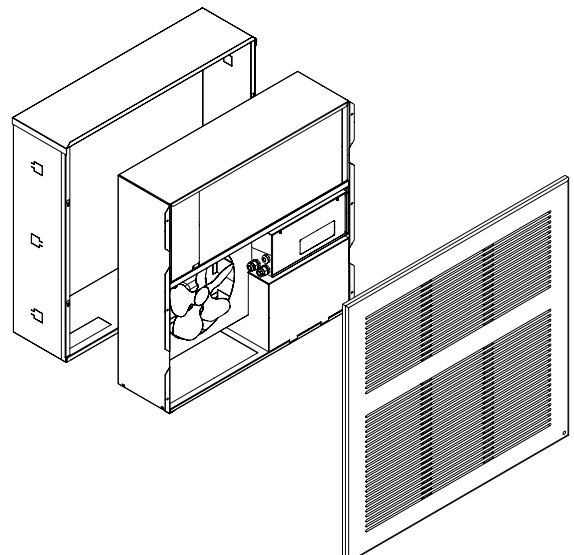
O compressor do circuito é um compressor alternativo hermético para aumentar a pressão do agente refrigerante.

Outro permutador de calor de lamelas, através do qual o ar flui, corresponde ao condensador do circuito de refrigerante. Durante este processo, o calor é libertado. Esta é a chamada área quente.

A redução da pressão no circuito de refrigerante é implementada com um capilar.

Possui uma unidade eletrónica com microprocessador e display para monitorizar e controlar a máquina.

O microprocessador controla as fases de descongelamento, assim como as operações de ligação e desligação do compressor e do ventilador.

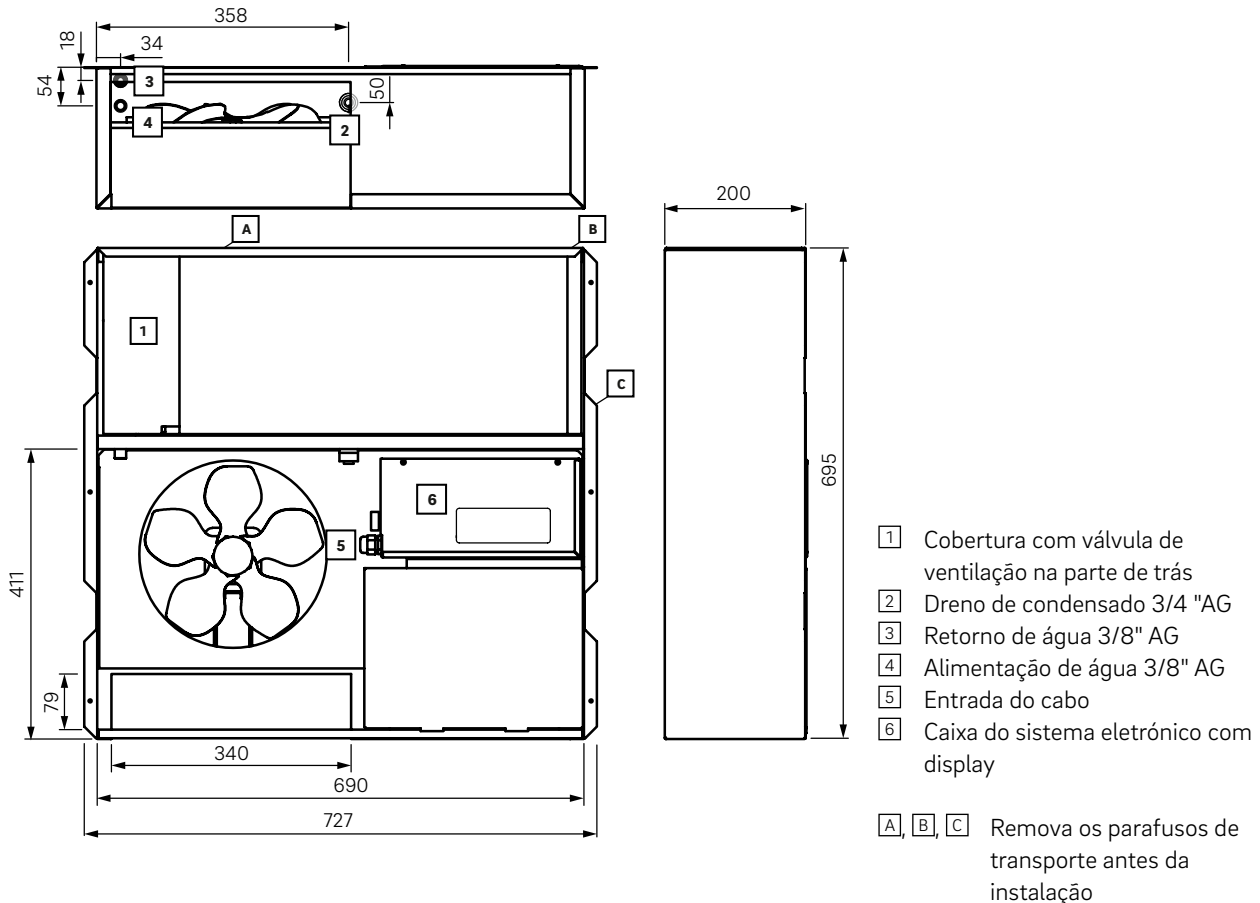


02.03 Dados técnicos

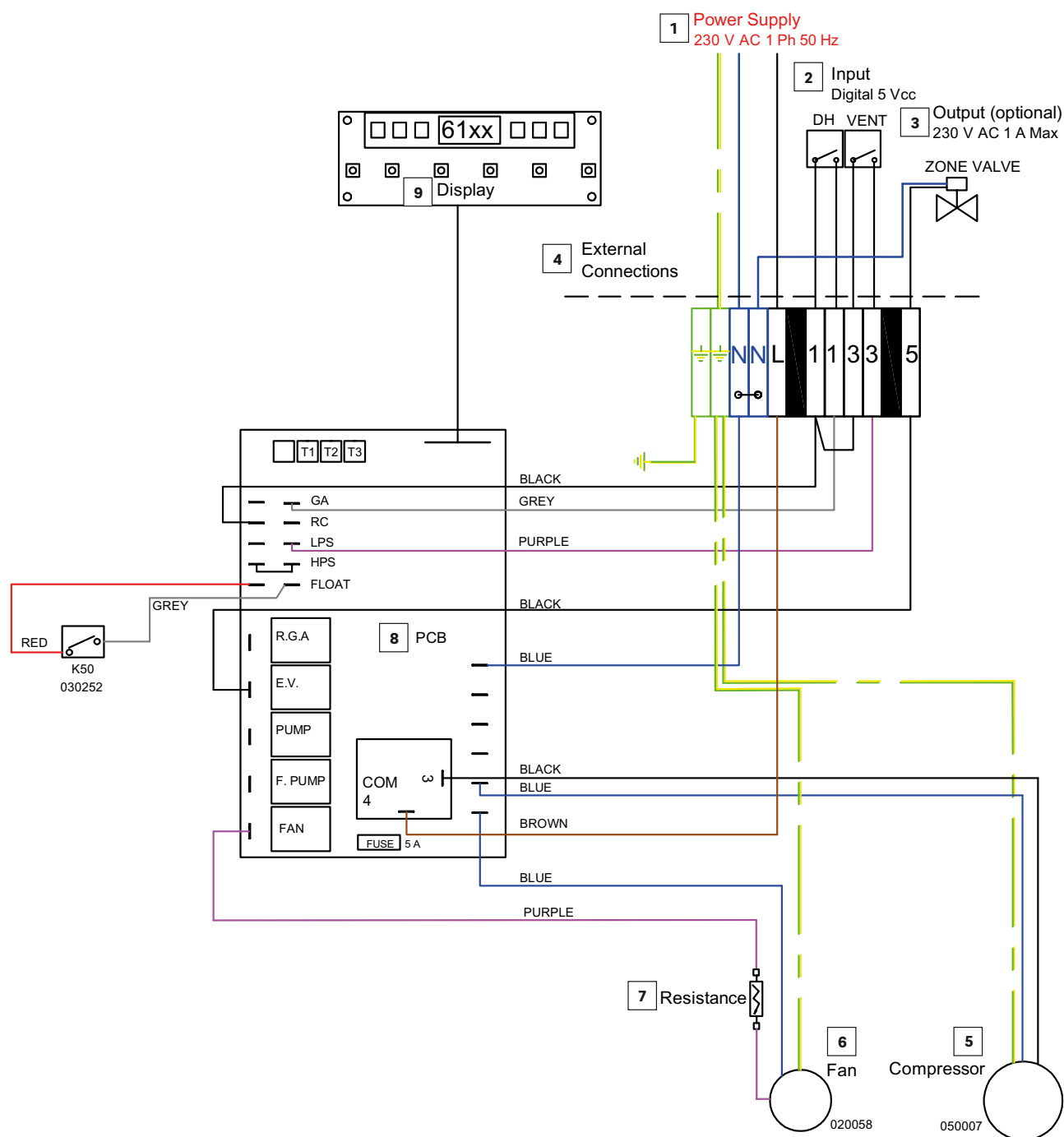
Alimentação elétrica	230 V CA, 50 Hz
Potência elétrica ¹⁾	410 W
Consumo máximo de energia	3,5 A
Corrente de arranque (LRA)	20,0 A
Caudal de ar (filtro limpo)	190 m ³ /h
Refrigerante R134a	400 g
Intervalo de temperatura de serviço	10–32°C
Humidade relativa de serviço	45 – 98 %
Capacidade de desumidificação ^{1), 2)}	22 l/d
Potência do lado da água ¹⁾	1130 W
Caudal de água	180 l/h
Perda de pressão no circuito de água a 180 l/h	14 kPa
Dimensões (C x A x L)	727 mm x 695 mm x 200 mm
Peso com circuito de água cheio	35,1 kg

¹⁾ Ar: 25 °C, 65% H.r. / água: 16 °C, 180 l/h

²⁾ Capacidade de desumidificação medida com base nas normas DIN EN 810 e DIN EN 1397



02.04 Ligação elétrica



- 1 Tensão e corrente elétrica
 2 Sinais de entrada (5 VCC digital)
 - DH Higróstato – inicia a desumidificação
 - VENT inicia a ventilação
 3 Sinal de saída (opcional, 230 V CA, 1 A máx.)
 ZONE VALVE Atuador do circuito de água
 4 Ligações no local

- 5 Compressor
 6 Ventilador
 7 Resistência elétrica
 8 Placa do circuito
 9 Display

03 Instruções de montagem



A montagem deve ser realizada por especialistas qualificados.

03.01 Embalagem e material fornecido

Remova a embalagem cuidadosamente, tentando não danificar o dispositivo.



Leia estas instruções cuidadosa e completamente, antes de começar a trabalhar com o produto. Guarde as instruções de montagem durante toda a vida útil do dispositivo e entregue-as aos utilizadores subsequentes.

Mantenha o material de embalagem fora do alcance de crianças e animais, pois isso pode levar a situações de perigo.



Elimine os produtos da embalagem (madeira, plástico, cartão, poliestireno ou esferovite) em pontos de recolha especializados ou centros de reciclagem, segundo os regulamentos locais.



Todos os componentes do dispositivo são montados e testados na fábrica. Após receber o dispositivo, deve verificar imediatamente a existência de danos de transporte e peças em falta.

Dois produtos adicionais são necessários para a montagem e uso deste desumidificador:

- Caixa de parede DHU da REHAU, que é embutida na parede
- Grelha de cobertura DHU G-W da REHAU, com filtro integrado na entrada de ar



A conformidade CE só se aplica quando o desumidificador é usado em combinação com os seguintes produtos associados: a caixa de parede DHU e a grelha de cobertura DHU G-W; e quando a montagem for feita em estrita conformidade com estas instruções.

03.02 Montagem do dispositivo

Este produto é instalado na parede. Para tal, uma caixa de parede é primeiramente instalada num roço correspondente na parede.



A disponibilidade das linhas de ligação hidráulica e elétrica necessárias e a posição correta devem ser levadas em consideração com antecedência.

O desumidificador é então instalado e conectado nesta caixa de parede. O dispositivo é coberto com a grelha de cobertura, que é fixada na parede com um parafuso.



Tenha em mente o seguinte durante a montagem:

- O dispositivo deve ser instalado em local limpo e seco, protegido de salpicos e gotas de água.
- Este dispositivo deve ser usado em ambientes internos de edifícios.



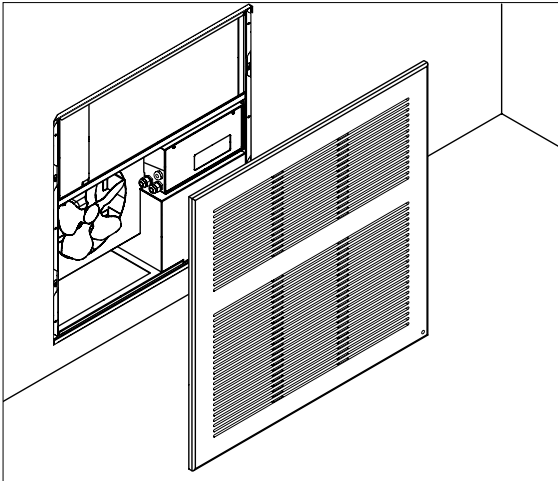
Assegure a instalação correta e estável da caixa de parede e do desumidificador.

Leve em consideração:

- O peso do desumidificador
- O material, a condição e a espessura da parede
- As possíveis vibrações do desumidificador



- Preste atenção ao peso, bem como aos cantos e arestas afiadas do dispositivo, e use roupas de proteção adequadas.
- Devido ao peso, a montagem deve ser realizada por, pelo menos, duas pessoas.



Execução do roço na parede

O recesso deve ser suficientemente dimensionado de acordo com o tamanho da caixa de parede. Deve ser executado de modo que as arestas externas da caixa embutida fiquem niveladas. Consulte a seguinte ilustração para esse fim.



Ao executar o roço da parede, tenha em mente a posição necessária das ligações elétricas e hidráulicas na parede na área mostrada.



Observe a altura de instalação da caixa de parede. Para a instalação, deve ter em conta uma distância mínima de 7 cm até à aresta superior do revestimento do pavimento superficial, de modo que a grelha de cobertura possa ser encaixada.

Instalação da caixa de parede DHU

A caixa de parede deve ser instalada de acordo com a parede existente.

No caso de uma parede maciça, a caixa de parede pode ser emparedada. A grade de aço galvanizada na parte traseira e os suportes nas partes laterais da caixa de parede embutida permitem uma boa fixação da argamassa.

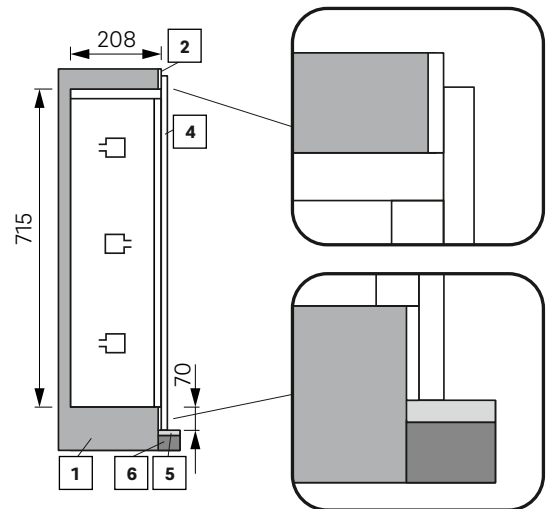
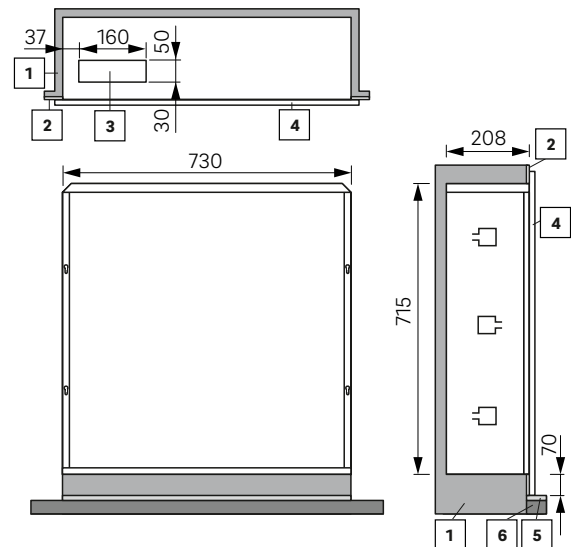
No caso de uma parede de gesso cartonado (Drywall), deve garantir que existe uma estrutura de suporte suficientemente dimensionada e adequada ao peso total e ao funcionamento deste desumidificador.

A caixa de parede deve ser instalada permanentemente.

A caixa de parede deve ser instalada de forma que a aresta inferior fique, pelo menos, 7 cm acima do revestimento do pavimento superficial finalizado. Se a grelha for colocada em cima de um rodapé, a distância mínima de 7 cm deve ser aumentada relativa à altura do rodapé.



O reforço transversal só deve ser removido quando a argamassa estiver seca e a caixa de parede firmemente instalada.



- 1 Parede
- 2 Reboco
- 3 Abertura na parte inferior para passagem de linhas hidráulicas e elétricas
- 4 Grelha de cobertura
- 5 Revestimento do pavimento
- 6 Pavimento

Inserção do desumidificador

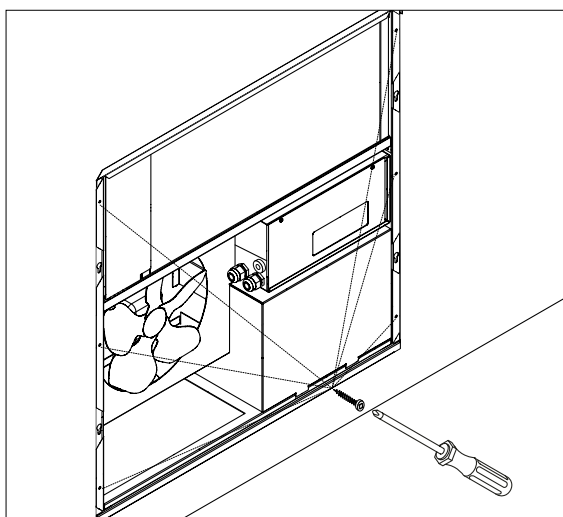


Remova os parafusos de transporte marcados com A, B e C, localizados na parte superior e no lado direito do dispositivo.



Note que o dispositivo só pode ser inserido na caixa de parede quando a argamassa estiver completamente seca e a caixa de parede bem montada.

Antes que o desumidificador possa ser inserido na caixa de parede, o reforço transversal deve ser removido. Depois de o dispositivo ter sido inserido corretamente na caixa de parede, o dispositivo é fixado com os parafusos fornecidos na caixa de parede.



03.03 Ligações do lado da água

	Dimensões do tubo	Ligação
Circuito de refrigeração (alimentação/retorno)	$d_{in} \geq 16 \text{ mm}$	3/8" AG
Condensado	$d_{in} \geq 16 \text{ mm}$	3/4" AG

Circuito de água



Recomendamos a instalação de um filtro de água na entrada do desumidificador para proteger os circuitos de água do aparelho.

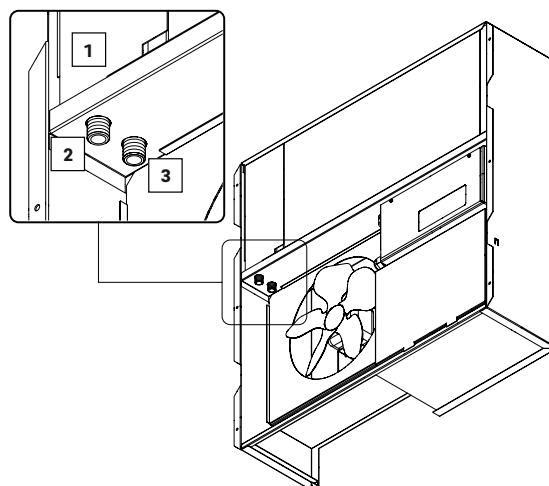
Use o tubo REHAU RAUTHERM-S ou RAUTITAN para as ligações hidráulicas ao desumidificador (alimentação e retorno) e cumpra os regulamentos locais aplicáveis.

Para efetuar uma ligação correta ao distribuidor do sistema de superfícies radiantes e definir o caudal correto, cumpra as instruções de instalação especificadas e os regulamentos locais aplicáveis. O caudal nominal do circuito de água para este desumidificador é de 180 l/h.

Use tecnologia de ligação e material de vedação adequados, para que não haja saída de água descontrolada.

Purgue cuidadosamente o ar no circuito de água com a válvula correspondente no dispositivo. A válvula está localizada sob a cobertura marcada, que pode ser solta com dois parafusos.

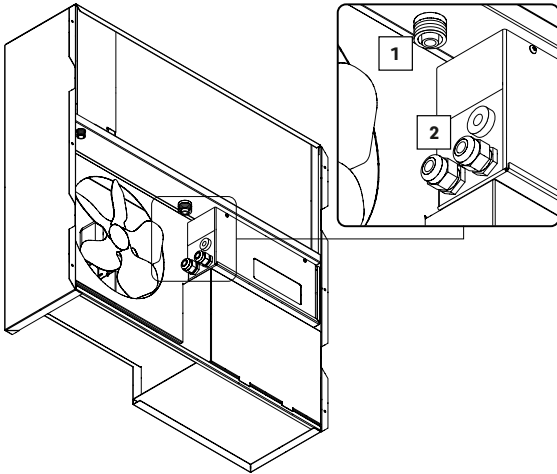
Para evitar a formação de condensação nas ligações metálicas, estas devem ser isoladas.



- 1] Cobertura com válvula de ventilação na parte de trás
- 2] Retorno de água 3/8" AG
- 3] Alimentação de água 3/8" AG

Dreno de condensado

Para evitar a formação de odores pela água residual, é importante conectar o dreno de condensado a um sifão. Para facilitar a limpeza, instale o sifão num local de fácil acesso.



- 1 Dreno de condensado 3/4 "AG
2 Entrada do cabo

03.04 Fonte de alimentação e ligação de controlo

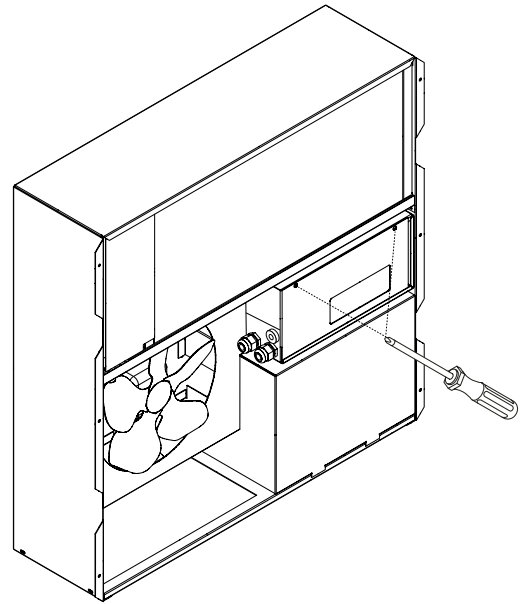
	Dimensões	Ligação
Fonte de alimentação	pelo menos 1,5 mm ² , rígido	Terminal



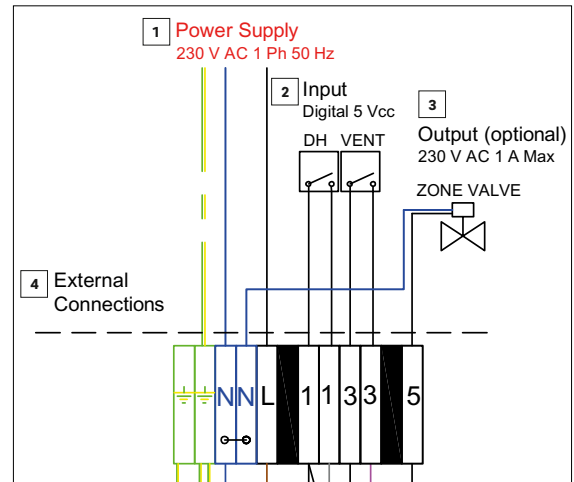
Cuidado, perigo de vida!

- A instalação elétrica só pode ser realizada por um electricista qualificado. A instalação elétrica deve ser realizada de acordo com os regulamentos nacionais aplicáveis e os regulamentos do seu fornecedor local de eletricidade.
- Antes de iniciar qualquer trabalho nos componentes elétricos, certifique-se de que a alimentação elétrica foi interrompida.
- A fonte de alimentação principal deve ser protegida com um disjuntor de corrente residual.
- Um dispositivo de isolamento elétrico deve estar disponível perto do dispositivo, com o qual a fonte de alimentação possa ser interrompida antes dos trabalhos de manutenção e limpeza.
- Deve-se garantir que os regulamentos para sistemas e equipamentos elétricos são integralmente cumpridos.
- Verifique se a tensão de alimentação corresponde aos dados nominais do dispositivo (tensão, frequência) na placa de identificação do dispositivo.
- A ligação à terra é fundamental e deve ser conectada em primeiro lugar durante a instalação.

Solte os dois parafusos na caixa do sistema eletrónico e remova cuidadosamente a tampa com o display.



Conecte a alimentação elétrica (230 V CA, monofásica, 50 Hz) aos terminais fase L, neutro N e cabo de ligação à terra PE do dispositivo, conforme mostrado na figura.



- 1 Tensão e corrente elétrica
2 Sinais de entrada (5 VCC digital)
- DH Higróstato – inicia a desumidificação
 - VENT inicia a ventilação
- 3 Sinal de saída (opcional, 230 V CA, 1 A máx.)
ZONE VALVE Atuador do circuito de água
- 4 Ligações no local

São fornecidos contactos livres de potencial para as entradas de controlo do dispositivo. Conecte as linhas correspondentes com o terminal, tal como mostrado na ilustração. Existem dois sinais de entrada diferentes:

- DH: Pedido para a desumidificação do ar
- VENT: Pedido para a operação contínua do ventilador

O sistema de controlo REHAU NEA SMART 2.0 pode ser usado para controlar o desumidificador. Para uma ligação e um uso corretos, observe as informações técnicas relevantes e cumpra os regulamentos locais aplicáveis.

Se necessário, o atuador REHAU UNI 230 V, que está atribuído ao circuito de água do desumidificador, pode ser conectado aos terminais do sinal de saída da ZONE VALVE. Ao usar um atuador no local, certifique-se de que os dados nominais deste atuador correspondem ao sinal de saída de 230 V CA, 1 A máx. do desumidificador.



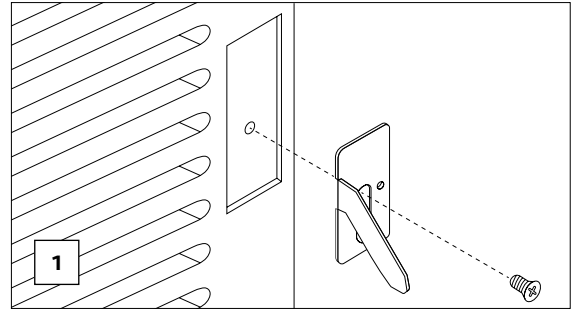
Use cabos separados para a alimentação elétrica, os sinais de entrada, o sinal de saída e as ligações dos cabos instaladas na fábrica para esta finalidade. Se para tal forem necessárias três uniões roscadas de cabos, deve ser instalada uma união roscada adicional no local, na zona da bucha do cabo. As uniões roscadas de cabos montadas na fábrica são adequadas para cabos com diâmetro externo de 6– 12 mm.

Antes do dispositivo ser usado, a tampa da caixa do sistema eletrónico deve ser fechada corretamente de novo.

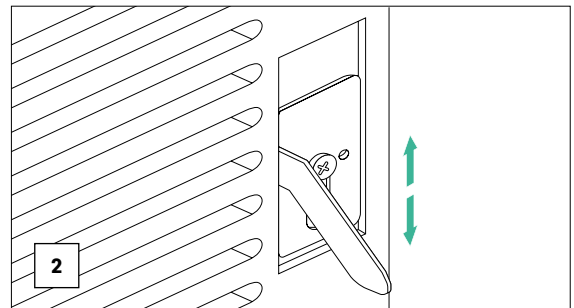
03.05 Montagem da grelha de cobertura

Preparação da grelha de cobertura

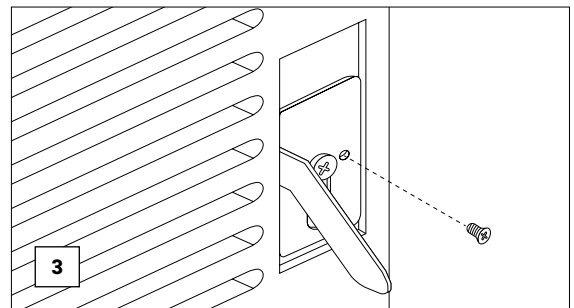
Para prender os quatro suportes na parte traseira da grelha de cobertura, são necessários os seguintes passos:



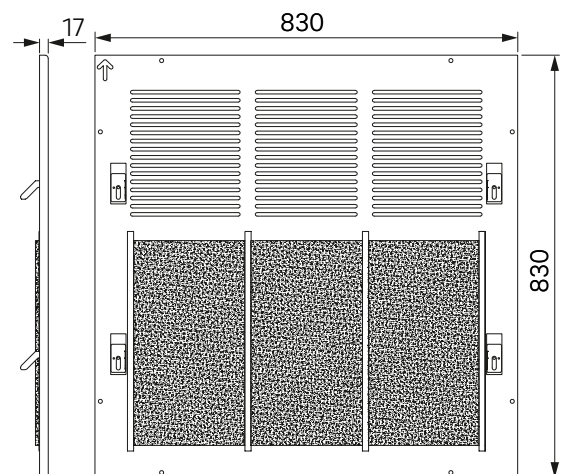
1 Posicione o suporte no roço fornecido na parte traseira da grelha de cobertura e aparafuse-o com um parafuso roscado. Certifique-se de que a dobra do suporte está virada para dentro e os ganchos virados para baixo.



2 Ajuste o suporte para obter a posição correta.

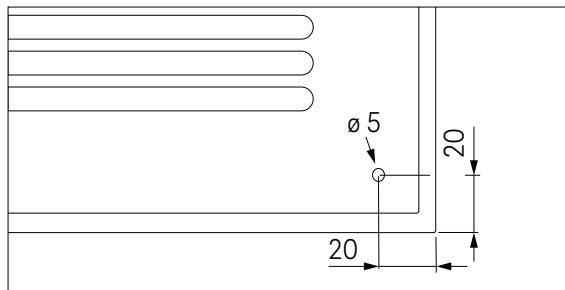


3 Aperte o suporte com o parafuso de madeira.

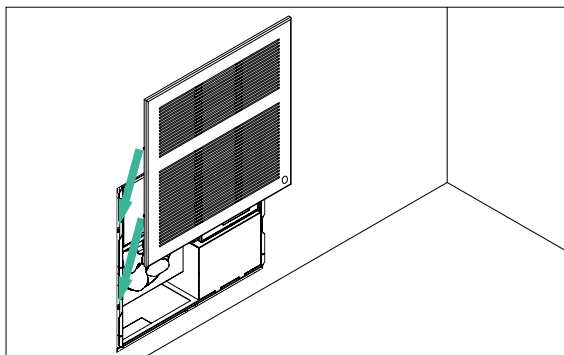


Vistas lateral e traseira da grelha de cobertura

Para que a grelha de cobertura possa ser fixada à parede com um parafuso, deve ser feito um furo no canto inferior da grelha de cobertura com uma broca para madeira adequada. Respeite o diâmetro e a posição do furo de acordo com seguinte a ilustração.



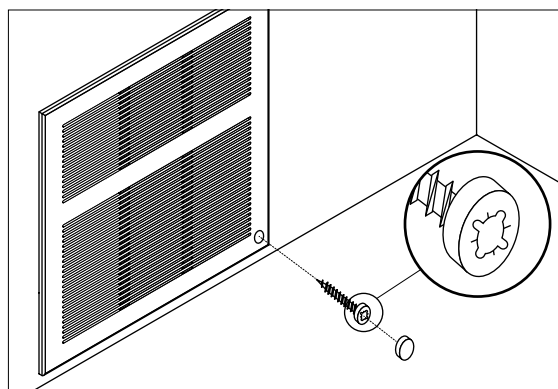
Preparação da parede



Coloque a grelha de cobertura na caixa de parede e marque o ponto de perfuração na parede.

Retire novamente a grelha de cobertura e faça um furo com uma broca adequada à parede em questão e ao parafuso fornecido. Em seguida, use uma bucha adequada para a parede.

Colocação da grelha de cobertura DHU W-G



Após o dispositivo ter sido conectado corretamente, pode ser encaixada a grelha de cobertura. Volte a colocá-la e aparafuse-a com o parafuso previsto para o efeito. Em seguida, pode cobrir o parafuso com a capa de proteção incluída.



Este desumidificador só pode ser utilizado, se a grelha de cobertura estiver devidamente fixada com o parafuso incluído.



Manuseie a grelha de cobertura com cuidado, para evitar danos e fissuras.



A grelha de cobertura de cor branca não é adequada para pintura.



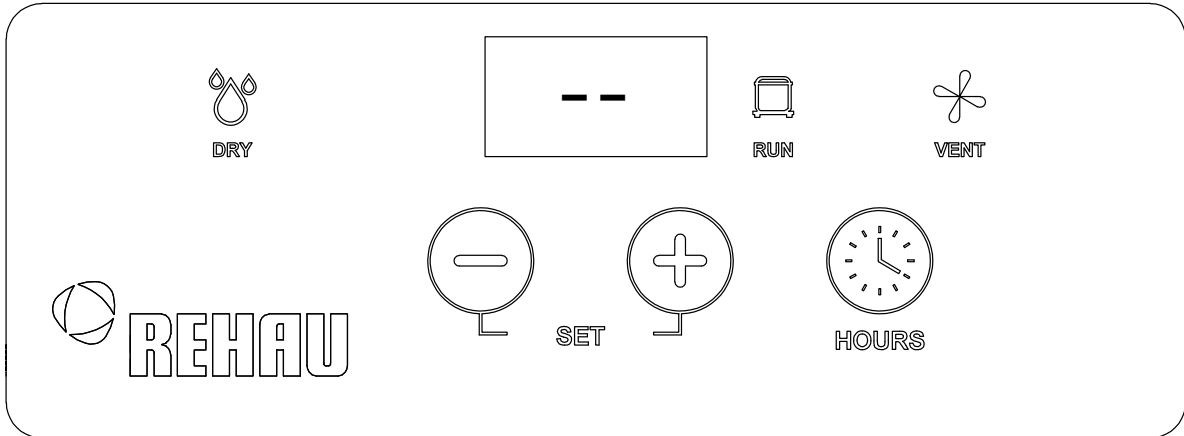
A grelha de cobertura pode ser montada na caixa de parede, independentemente da presença do desumidificador.



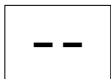
Certifique-se de que a grelha de cobertura está corretamente alinhada. A parte da grelha de cobertura, em cuja parte traseira se situa o filtro de ar, deve ser posicionada na parte inferior do desumidificador, ou seja, na frente do ventilador. O filtro da grelha de cobertura deve ser limpo regularmente. Para esse efeito, consulte o capítulo 04.03.

04 Colocação em funcionamento e operação

04.01 Display e controlo



Exibir



Fonte de alimentação conectada

Serão mostradas duas faixas azuis no display quando for fornecida energia. Se não houver nenhum pedido, o dispositivo permanecerá no modo de espera STAND BY.



Desumidificação ativa

Este LED laranja indica que a desumidificação está ativa. Se o símbolo não acender, a desumidificação não será efetuada nesse momento.



Ventilação contínua ativa

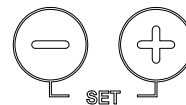
Este LED laranja acende quando o pedido de ventilação contínua é ativado. Caso contrário, não há nenhum pedido.



O compressor está a funcionar

Quando este LED verde acende continuamente, o compressor está a funcionar. Quando este LED pisca, o compressor está em modo de pausa. Este modo está ativo durante a fase de ligação e durante a fase de descongelamento automático controlada pelo microprocessador.

Botões



Botões Set

Estes botões apenas são necessários para a configuração e não são relevantes para a operação ou a manutenção de rotina.



HOURS

Ao premir este botão, são apresentadas as horas de funcionamento do compressor.

04.02 Primeira colocação em funcionamento

Antes de fornecer energia ao desumidificador pela primeira vez, ligando o dispositivo de isolamento elétrico, verifique o seguinte:

- Os avisos de segurança e os regulamentos locais aplicáveis foram respeitados?
- A caixa de parede, o desumidificador e a grelha de cobertura foram instalados corretamente e em estrita conformidade com estas instruções?
- A grelha de cobertura foi fixada à parede com o parafuso incluído?
- As ligações elétricas e hidráulicas foram feitas de acordo com as instruções deste manual e em conformidade com os regulamentos locais aplicáveis?
- As ligações elétricas e hidráulicas foram efetuadas corretamente?
- As ligações hidráulicas do circuito de água e do dreno de condensado estão devidamente vedadas?
- O circuito de água está cheio e devidamente purgado de ar?
- O desumidificador tem uma ligação à terra adequada?
- A tensão de alimentação corresponde ao valor especificado nos dados técnicos?
A tensão de alimentação deve corresponder às informações na placa de identificação com $\pm 10\%$ de tolerância.
- Todas as placas de cobertura estão na posição correta e adequadamente fixadas com os parafusos de fixação apropriados?
- A tampa da caixa do sistema eletrónico foi inserida corretamente e fixada com os parafusos apropriados?



Depois de o aparelho ter sido devidamente instalado, o primeiro arranque só deve ser efetuado após, pelo menos, duas horas.



Se o circuito de água não estiver cheio, devidamente purgado de ar ou se houver fornecimento de água insuficiente dentro do intervalo de temperatura específico, o funcionamento do dispositivo pode ser prejudicado.

Assim que o dispositivo for alimentado com tensão, permanecerá no modo de espera STAND BY e as duas faixas azuis serão exibidas no display.

Os sinais de entrada do desumidificador podem agora ser definidos com o sistema de controlo NEA SMART 2.0 conectado.

Após a definição de um sinal de entrada, o ventilador arrancará imediatamente.

Com a entrada do sinal de desumidificação (DH), o sinal de saída ZONE VALVE também é ativado e o compressor arranca com um algum atraso.

As informações técnicas relevantes devem ser observadas para a cablagem e configuração corretas do sistema de controlo NEA SMART 2.0.

04.03 Operação e manutenção



Durante a operação, deve haver um fornecimento de água suficiente no intervalo de temperatura especificado.



A grelha de cobertura não deve ser movida, tapada ou coberta durante o funcionamento, para que o fluxo de ar seja sempre garantido.



Antes de iniciar o trabalho de manutenção, verifique se o desumidificador foi desconectado da fonte de alimentação. A manutenção só pode ser realizada por pessoas devidamente instruídas e formadas.

A manutenção regular do aparelho consiste na limpeza do filtro de ar, que é montado na parte inferior da parte traseira da grelha de cobertura. Essa limpeza deve ser feita a cada dois meses em circunstâncias normais. Em ambientes empoeirados ou quando o dispositivo é usado intensamente, a manutenção também pode ser necessária com mais frequência.



O acesso à grelha de cobertura e ao filtro deve ser sempre possível, para que os trabalhos de manutenção possam ser realizados.

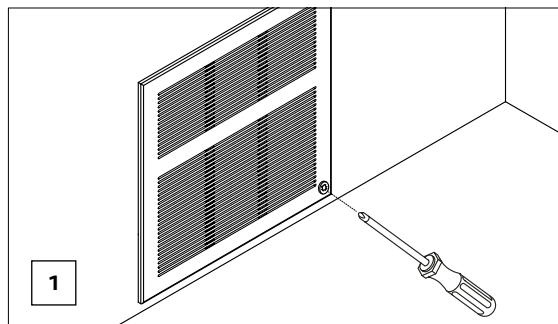


Verifique regularmente o estado e o funcionamento das fixações da caixa de parede, do desumidificador e da grelha de cobertura na estrutura do edifício ou nos elementos de suporte.

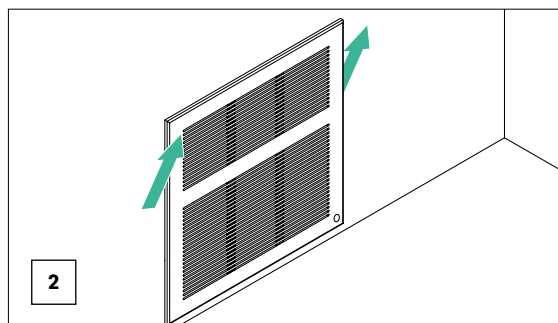


Verifique regularmente se o sifão não está bloqueado e se o condensado pode ser drenado.

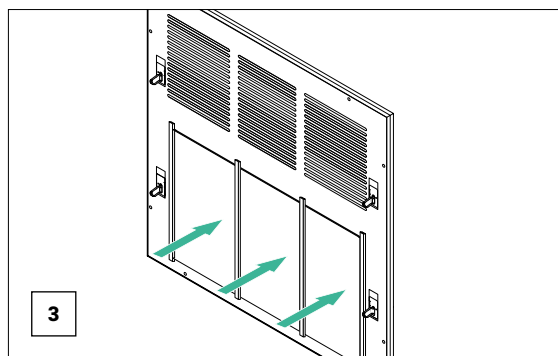
Passos de limpeza



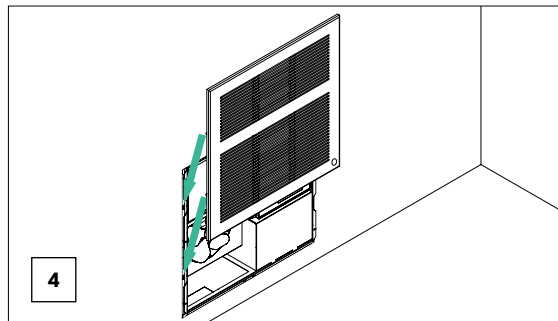
1 Remova cuidadosamente a capa de proteção do parafuso da grelha de cobertura e solte o parafuso.



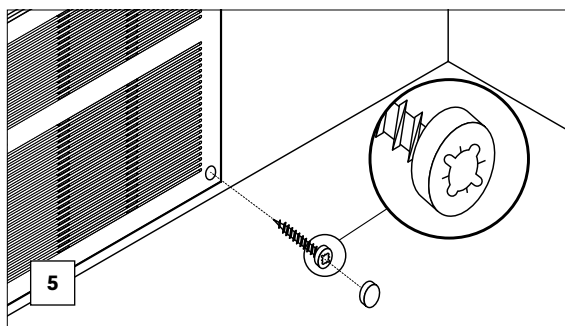
2 Levante a grelha de cobertura para cima e afaste-a da parede em ângulo inclinado.



3 Limpe o filtro de ar com ar na direção oposta ao fluxo de ar normal.



4 Após a limpeza do filtro de ar, a grelha de cobertura pode ser colocada novamente na caixa de parede.



5 A grelha de cobertura deve então ser fixada novamente na parede com o parafuso e o parafuso pode ser coberto com a respetiva capa.



Não volte a colocar o desumidificador em funcionamento, até que a grelha de cobertura com o filtro tenha sido instalada de novo com firmeza e de forma adequada.

04.04 Peças sobressalentes

Recomendamos o uso de peças sobressalentes originais. Caso seja necessário, entre em contacto com o seu representante REHAU.

04.05 Desmontagem e eliminação

O dispositivo foi concebido e construído para uma operação contínua. A vida útil de alguns componentes importantes, como o ventilador e o compressor, dependem da manutenção a que são submetidos.



O dispositivo deve ser desativado antes da desmontagem.



Tenha em mente que pode haver água no sistema.



A desmontagem só pode ser realizada por pessoal qualificado e com equipamento de proteção adequado. Devido ao peso do dispositivo, a desmontagem deve ser realizada por, pelo menos, duas pessoas. Para evitar ferimentos ou danos durante o transporte subsequente, o dispositivo deve ser fornecido com material de embalagem apropriado e dispositivos de segurança de transporte adequados.

O dispositivo contém substâncias e componentes perigosos para o ambiente (componentes eletrónicos, gás refrigerante e óleos). Se o dispositivo tiver de ser desmontado no final da sua vida útil, esta operação só deve ser realizada por pessoal qualificado. O dispositivo deve ser entregue a uma empresa especializada na recolha e eliminação de dispositivos que contenham substâncias perigosas. O refrigerante R134a e o óleo lubrificante contidos no circuito devem ser recuperados de acordo com as normas em vigor no seu país.

Notas

Series of horizontal lines for note-taking.

This document is protected by copyright. All rights based on this are reserved. No part of this publication may be translated, reproduced or transmitted in any form or by any similar means, electronic or mechanical, photocopying, recording or otherwise, or stored in a data retrieval system.

Our verbal and written advice with regard to usage is based on years of experience and standardised assumptions and is provided to the best of our knowledge. The intended use of REHAU products is described comprehensively in the technical product information. The latest version can be viewed at www.rehau.com/IT. We have no control over the application, use or processing of the products. Responsibility for these activities therefore remains entirely with the respective user/processor. Where claims for liability nonetheless arise, they shall be governed exclusively according to our terms and conditions, available at www.rehau.com/conditions, insofar as nothing else has been agreed upon with REHAU in writing. This shall also apply for all warranty claims, with the warranty applying to the consistent quality of our products in accordance with our specifications. Subject to technical changes.

www.rehau.com/locations

La propiedad intelectual de este documento está protegida. Quedan reservados los derechos que resultan de dicha protección, en especial los de la traducción, de la reimpresión, del desglose de ilustraciones, de las radiodifusiones, de la reproducción por medios fotomecánicos u otros similares así como del archivo en equipos para el tratamiento de datos.

Nuestro asesoramiento verbal y por escrito acerca de las técnicas y condiciones de aplicación de nuestros productos y sistemas se basa en nuestra experiencia, así como en los conocimientos sobre casos típicos o habituales y se proporciona según nuestro leal saber y entender. El uso previsto de los productos REHAU se describe al final de la información técnica que trate del sistema o producto en cuestión. La versión actual correspondiente en cada caso está disponible en www.rehau.com/IT. La aplicación, el uso y el tratamiento de nuestros productos están absolutamente fuera de nuestro control y, por tanto, son responsabilidad exclusiva del respectivo usuario o cliente. Sin embargo, en caso de producirse cualquier reclamación cubierta por la garantía, ésta se regirá exclusivamente por nuestras condiciones generales de venta, que pueden consultarse en www.rehau.com/conditions, siempre y cuando no se haya llegado a otro acuerdo por escrito con REHAU. Esto también se aplicará a todas las reclamaciones de garantía con respecto a la calidad constante de nuestros productos de acuerdo con nuestras especificaciones. Salvo modificaciones técnicas.

www.rehau.es

La documentation est protégée par la loi relative à la propriété littéraire et artistique. Les droits qui en découlent, en particulier de traduction, de réimpression, de prélèvement de figures, d'émissions radiophoniques, de reproduction photomécanique ou par des moyens similaires, et d'enregistrement dans des installations de traitement des données sont réservés.

Notre conseil technique, verbal ou écrit, se fonde sur nos années d'expérience, des processus standardisés et les connaissances les plus récentes en la matière. L'utilisation de chaque produit REHAU est décrite en détails dans les informations techniques. La dernière version est consultable à tout moment sur www.rehau.com/IT. Étant donné que nous n'avons aucun contrôle sur l'application, l'utilisation et la transformation de nos produits, la responsabilité de ces activités reste entièrement à la charge de la personne effectuant une ou plusieurs de ces opérations. Si une quelconque responsabilité devait néanmoins entrer en ligne de compte, celle-ci seraient régies exclusivement selon nos conditions de livraison et de paiement, disponibles sur www.rehau.com/conditions, dans la mesure où aucun accord écrit divergent n'ait été conclu avec REHAU. Cela s'applique également à toutes les réclamations de garantie, étant entendu que notre garantie porte sur une qualité constante de nos produits, conformément à nos spécifications. Sous réserve de modifications techniques.

www.rehau.fr

Il presente documento è coperto da copyright. E' vietata in particolare modo la traduzione, la ristampa, lo stralcio di singole immagini, la trasmissione via etere, qualsiasi tipo di riproduzione tramite apparecchi fotomeccanici o similari nonché l'archiviazione informatica senza nostra esplicita autorizzazione.

La nostra consulenza tecnica verbale o scritta si basa sulla nostra esperienza pluriennale, su procedure standardizzate e sulle più recenti conoscenze in merito. L'impiego dei prodotti REHAU è descritto nelle relative informazioni tecniche, la cui versione aggiornata è disponibile online all'indirizzo www.rehau.com/IT. La lavorazione, l'applicazione e l'uso dei nostri prodotti esulano dalla nostra sfera di competenza e sono di completa responsabilità di chi li lavora, li applica o li utilizza. La sola responsabilità che ci assumiamo, se non diversamente concordato per iscritto con REHAU, si limita esclusivamente a quanto riportato nelle nostre condizioni di fornitura e pagamento consultabili al sito www.rehau.com/conditions. Lo stesso vale anche per eventuali richieste di garanzia. La nostra garanzia assicura costanza nella qualità dei prodotti REHAU conformemente alle nostre specifiche. Salvo modifiche tecniche.

www.rehau.it

A propriedade intelectual deste documento está protegida. Estão reservados os direitos daí resultantes, em especial os de tradução, de reimpressão, de imagens, de radiofones, de reprodução por meios fotomecânicos ou outros similares, assim como o de arquivo em equipamentos para o tratamento de dados.

A nossa assessoria, quer verbal quer escrita, baseia-se numa experiência de longos anos, bem como em pressupostos estandardizados e resulta do nosso melhor saber. A aplicabilidade dos produtos REHAU encontra-se descrita na informação técnica do produto. A versão válida correspondente pode ser consultada on-line em www.rehau.com/IT. A aplicação, a utilização e o manuseamento dos nossos produtos efetuam-se fora das nossas possibilidades de controlo, recaindo, portanto, dentro da responsabilidade da pessoa que aplica/utiliza/manuseia. Se, apesar disso, houver lugar a uma responsabilidade, esta rege-se exclusivamente pelas nossas condições de fornecimento e pagamento disponíveis em www.rehau.com/conditions, desde que não tenha sido acordado outra coisa por escrito com a REHAU. Tal também se aplica a quaisquer direitos de garantia, em que a garantia remete para a constante qualidade dos nossos produtos segundo as especificações por nós fornecidas. Sujeito a alterações técnicas.

www.rehau.pt

© REHAU Industries SE & Co. KG

Rheniumhaus

95111 Rehau

851604 EN, ES, FR, IT, PT 05.2022