

Technical / Marketing Bulletin 23-03

Systems 4500 and 4700: Drain cover cap

Product: Drain cover cap, Art. 361582-001

Date: 1-April-2023

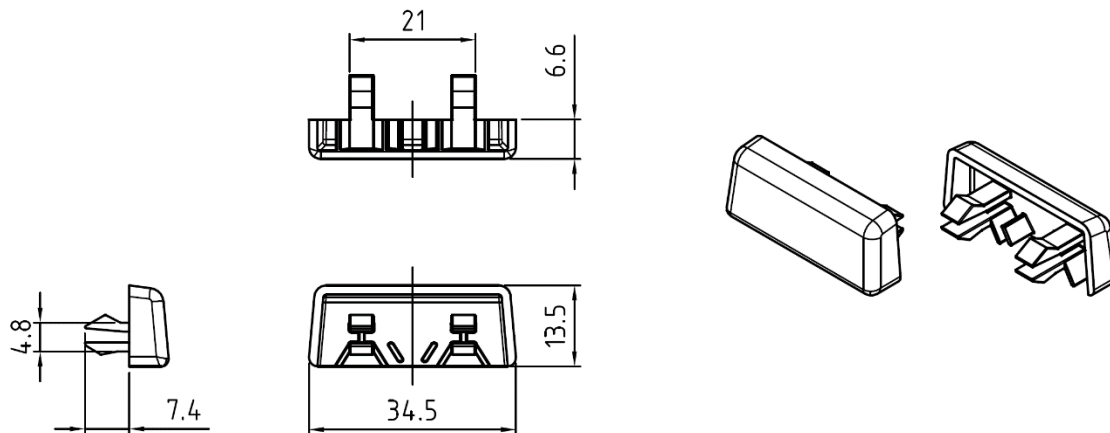
As part of REHAU's continuing improvement policy, we would like to inform you about a new drain cover cap design that is now available for our REHAU EuroDesign™ 4500 and Geneo® 4700 systems.

Art. 361882-001 will replace Art. 361582-001 and 261582 effective immediately.

The new drain cover cap design features a quick and common fitting method that allows the component to be pushed easily into place while being the perfect match for rectangular and oval slots.

Art. 361882-001 is available in white color.

New design is shown below.



If you have any questions, please contact your REHAU sales representative.

For updates to this publication, visit na.rehau.com/resourcecenter

The information contained herein is believed to be reliable, but no representations, guarantees or warranties of any kind are made as to its accuracy, suitability for particular applications or the results to be obtained therefrom. Before using, the user will determine suitability of the information for user's intended use and shall assume all risk and liability in connection therewith. To the extent permitted by law, REHAU EXPRESSLY DISCLAIMS ALL IMPLIED WARRANTIES, INCLUDING BUT NOT LIMITED TO, ANY IMPLIED WARRANTIES OF MERCHANTABILITY OR OF FITNESS FOR A PARTICULAR PURPOSE.

© 2023 REHAU