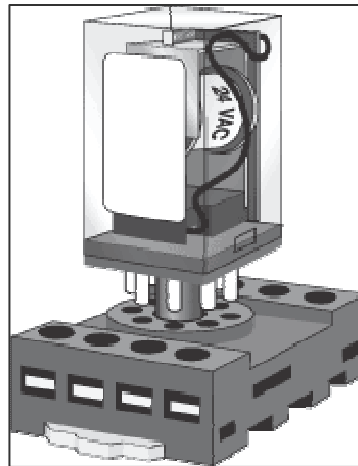


PRODUCT SUBMITTAL 628

Product: 24 VAC Relay
Date: 07-August-09



Article No.	Description
236297	R003P 24VAC Relay

FUNCTIONAL DESCRIPTION

The 24 VAC relay is pin configured . The relay is easily serviced by unplugging them from their sockets without removing the wiring. Each relay comes with a mechanical test button for ease of troubleshooting.

Dimensions:	2-7/8" H x 1-9/16" W x 2" D (73 x 40 x 51 mm)
Approvals:	CSA C US, UL listed
Ambient Conditions:	Indoor use only, 14 to 104°F (-10 to 40°C), < 85% RH non-condensing
Power Supply (coil):	24 V (ac) +10%, -20%, 50/60 Hz, 3 VA
Relay Contacts (max.):	10 A resistive 10 A inductive @ 120 V(ac), 1/3 hp 10 A resistive 7 A inductive @ 250 V 10 A resistive 2 A inductive @ 28 V
Relay Contacts (min.):	10 mA 1 V (dc)

For updates to this publication, visit na.rehau.com/resourcecenter

The information contained herein is believed to be reliable, but no representations, guarantees or warranties of any kind are made as to its accuracy, suitability for particular applications or the results to be obtained therefrom. Before using, the user will determine suitability of the information for user's intended use and shall assume all risk and liability in connection therewith. To the extent permitted by law, REHAU EXPRESSLY DISCLAIMS ALL IMPLIED WARRANTIES, INCLUDING BUT NOT LIMITED TO, ANY IMPLIED WARRANTIES OF MERCHANTABILITY OR OF FITNESS FOR A PARTICULAR PURPOSE.

© REHAU Incorporated 2009